

BOOMRACING 



LAND ROVER SERIES III

109

Pickup Truck

1/10 HARD BODY KIT 334MM



Congratulations!

Congratulations on your new Land Rover Series III 109 Pickup.

It took us many years to finally land a licensing agreement with Land Rover – arguably the most iconic off-road car company, ever. There were many considerations and connections that had to be made for us to get to this point. It took us years to learn about the R/C industry, to understand what our customers want, and to improve our manufacturing techniques. The Series III body has been a fun and exciting development journey and I'm proud to say that we've left it all out there.

In this box, you'll find extra pieces included for you to customize your own Series III 109 Pickup. You have the option to build either the hardtop or the convertible. The instruction manual is meticulously done to guide you through different building options.

To make the Series III ultra-scale, we constructed the body using a similar design concept as how they were built in the factories back in the day; using multiple body panels to build the complete body.

This body is designed to fit our BRX02 109 chassis, which includes all of the parts to complete the quick-release system.

We hope you enjoy this body as much as we do. Now, regress to a simpler, classier time, and experience the ageless charm of this iconic vehicle!

Jason Patrick Tsang
Boom Racing Owner and Founder





Apply Double Sided Tape



Pay attention to note



Apply Glue

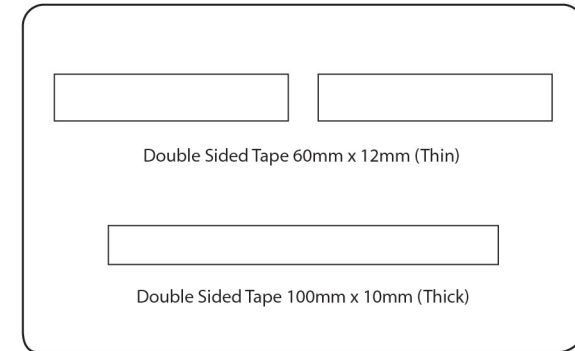
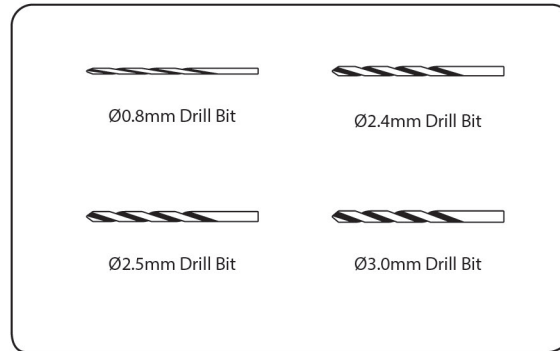
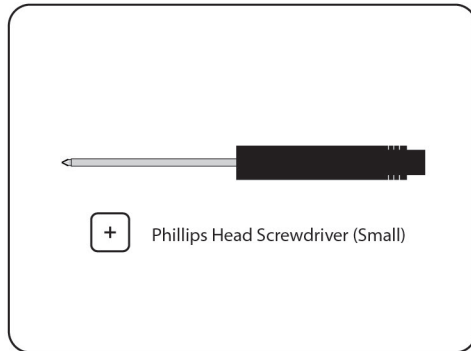


Drill Hole

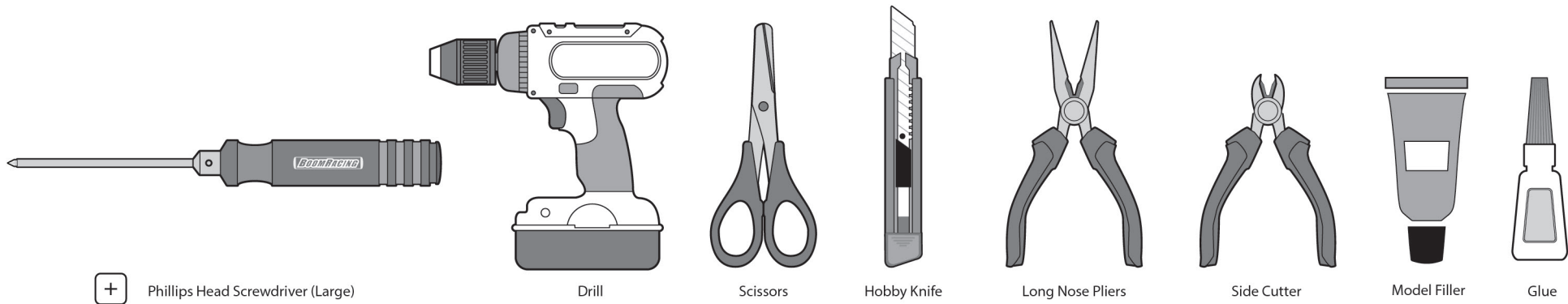


Apply Model Filler

Tools Included


















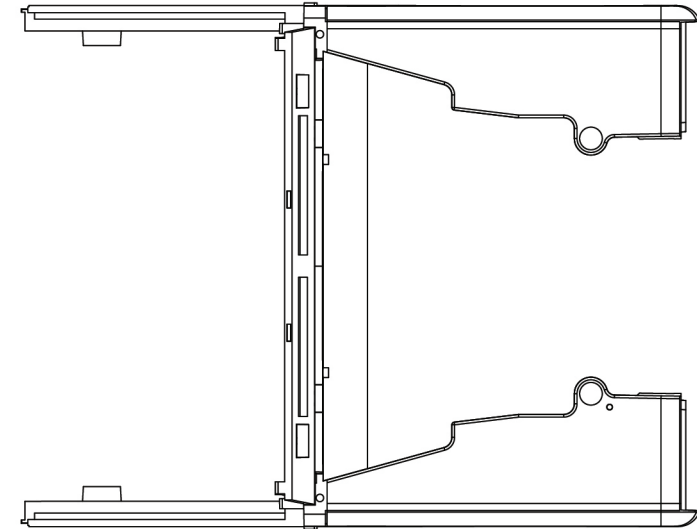
Tools Required



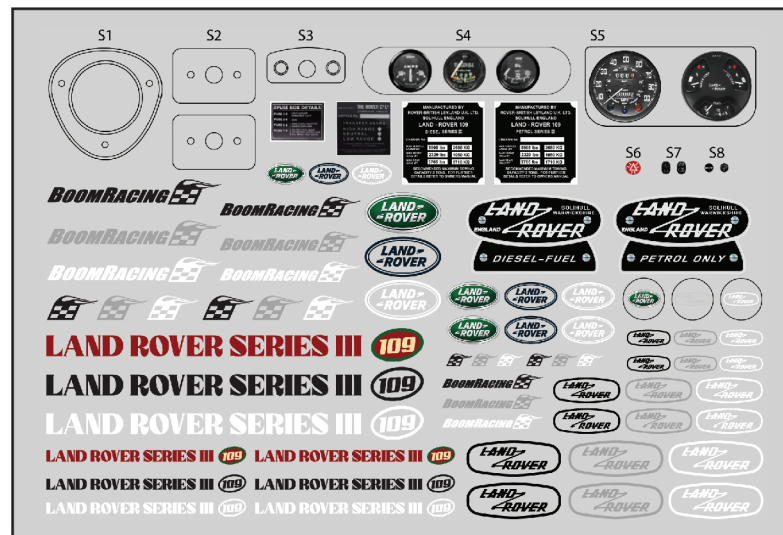


All screw indicators in this manual are 1:1 size (extra screws included).

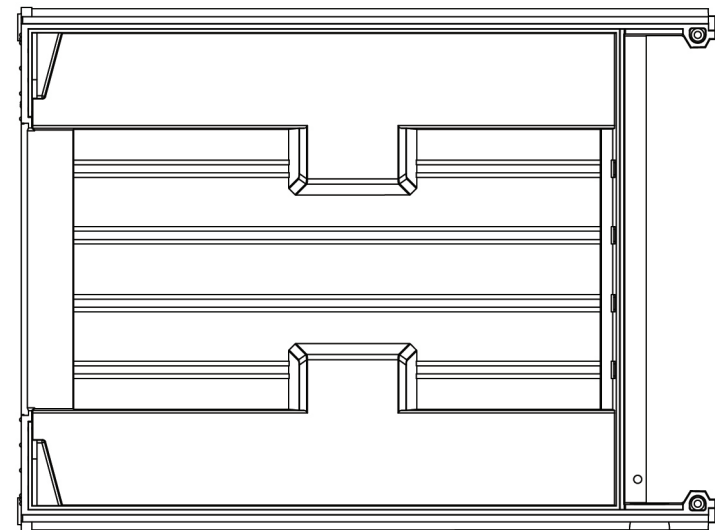
- | | |
|--|---|
|  M1x4 Phillips Head Self-Tapping Screw (27)
ST1X4 |  M2.6x6 Phillips Head Self-Tapping Screw (2)
ST2.6x6 |
|  M1x6 Phillips Head Self-Tapping Screw (6)
ST1X6 |  M2.6x10 Phillips Head Self-Tapping Screw (2)
ST2.6x10 |
|  M1.2x4 Phillips Head Self-Tapping Screw (16)
ST1.2x4 |  M2x8 Counter Sunk Phillips Head Self-Tapping Screw (12)
STCS2x8 |
|  M1.2x8 Phillips Head Self-Tapping Screw (2)
ST1.2x8 |  M3x6 Counter Sunk Phillips Head Self-Tapping Screw (2)
STCS3x6 |
|  M1.5x5 Phillips Head Self-Tapping Screw (6)
ST1.5x5 |  M2x8 Counter Sunk Phillips Head Screw (4)
M2x8CSS |
|  M2x5 Phillips Head Self-Tapping Screw (10)
ST2x5 |  D3x4 Spring Plunger (4) |
|  M2x6 Phillips Head Self-Tapping Screw (14)
ST2x6 |  Magnet (2)
OST8x3 |
|  M2x8 Phillips Head Self-Tapping Screw (6)
ST2x8 | |



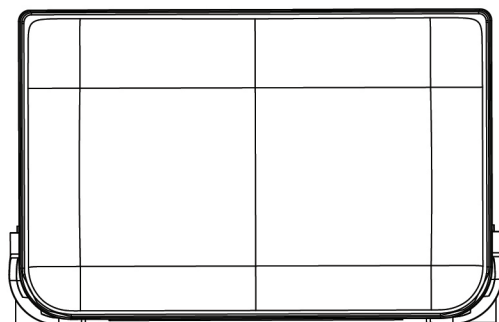
Front Body
#BRX02301



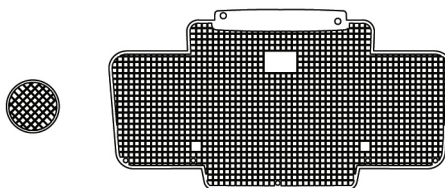
Decal Sticker Series III 109 Pickup
#BRX02318



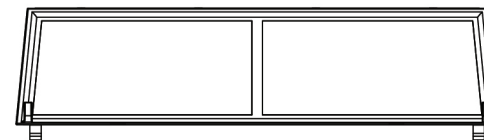
109 Rear Bed
#BRX02302



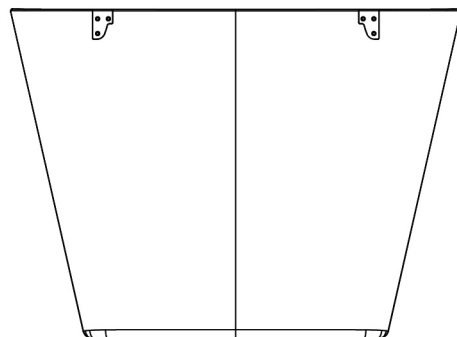
Pickup Hard Top
#BRX02303



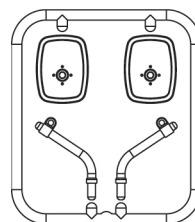
**Front Radiator Grill Mesh &
Wing Air Intake Filter**
#BRX02307



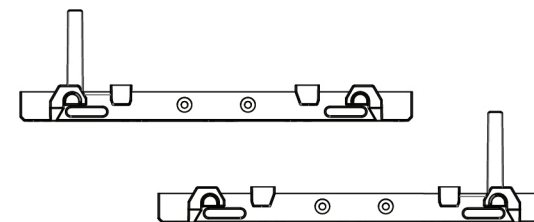
Windscreen Frame
#BRX02313



Front Bonnet
#BRX02315

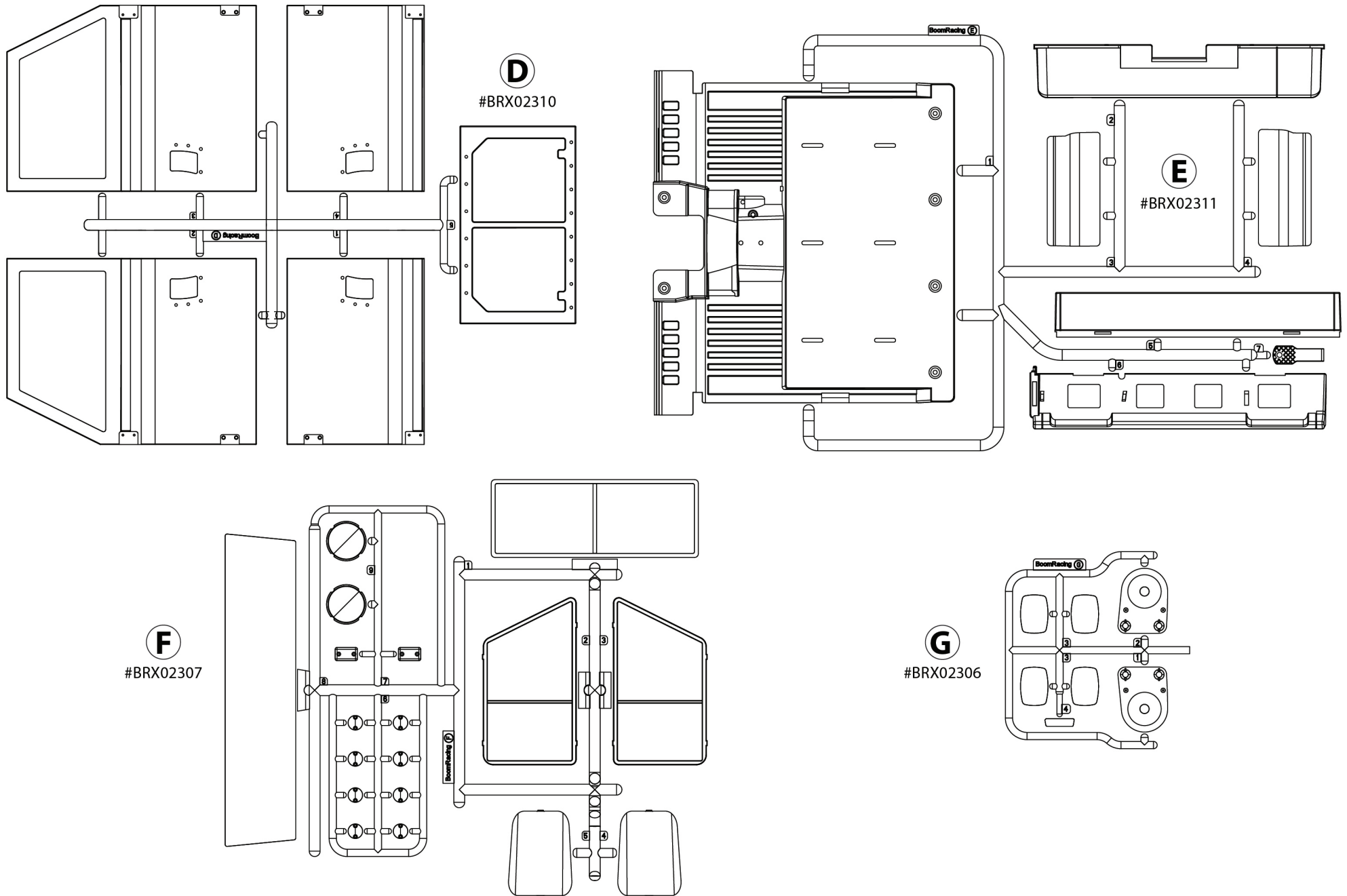


Rubber Side Mirrors
#BRX02317



Body Brace
#BRX020112

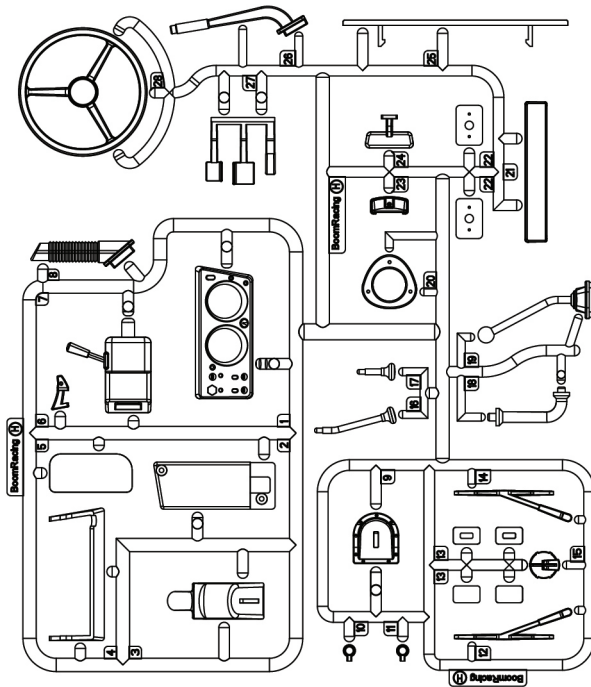
Note: some parts are not attached to the parts tree for packaging reasons.



Note: some parts are not attached to the parts tree for packaging reasons.

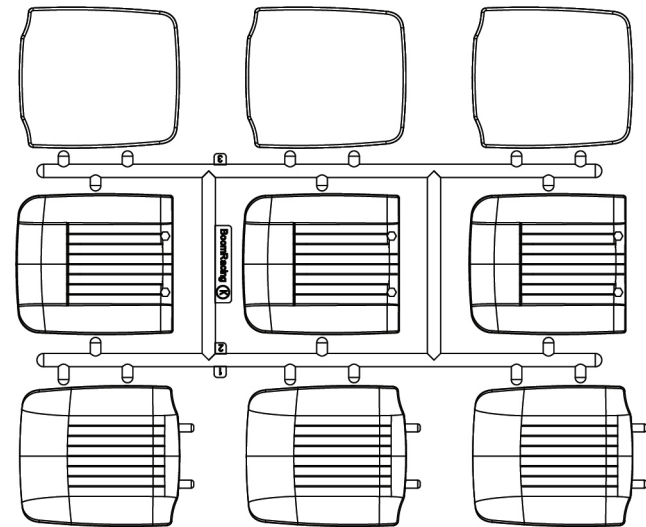
H

#BRX02305



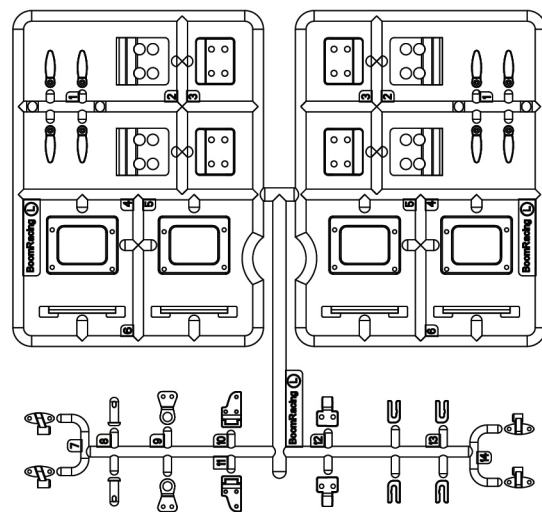
K

#BRX02304



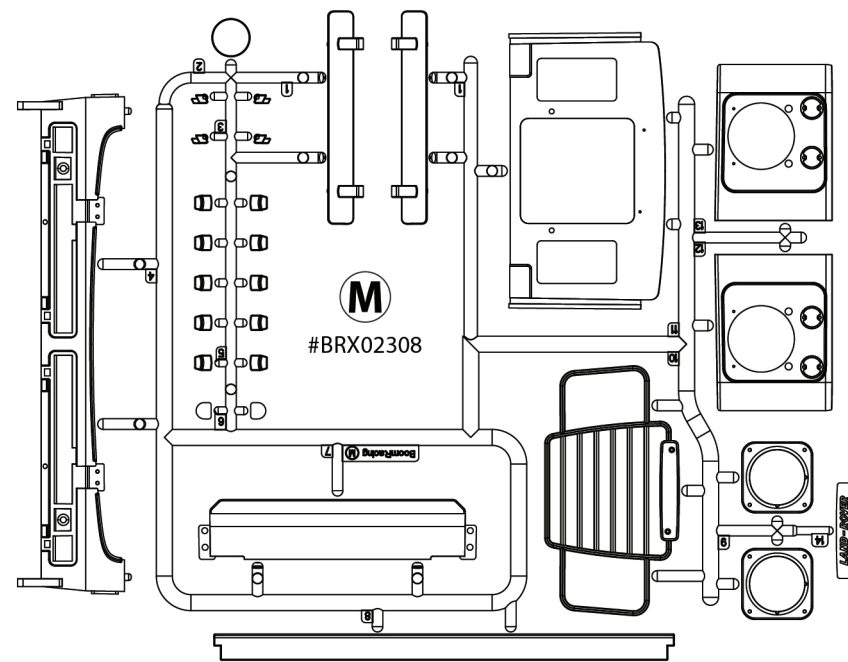
L

#BRX02316



M

#BRX02308



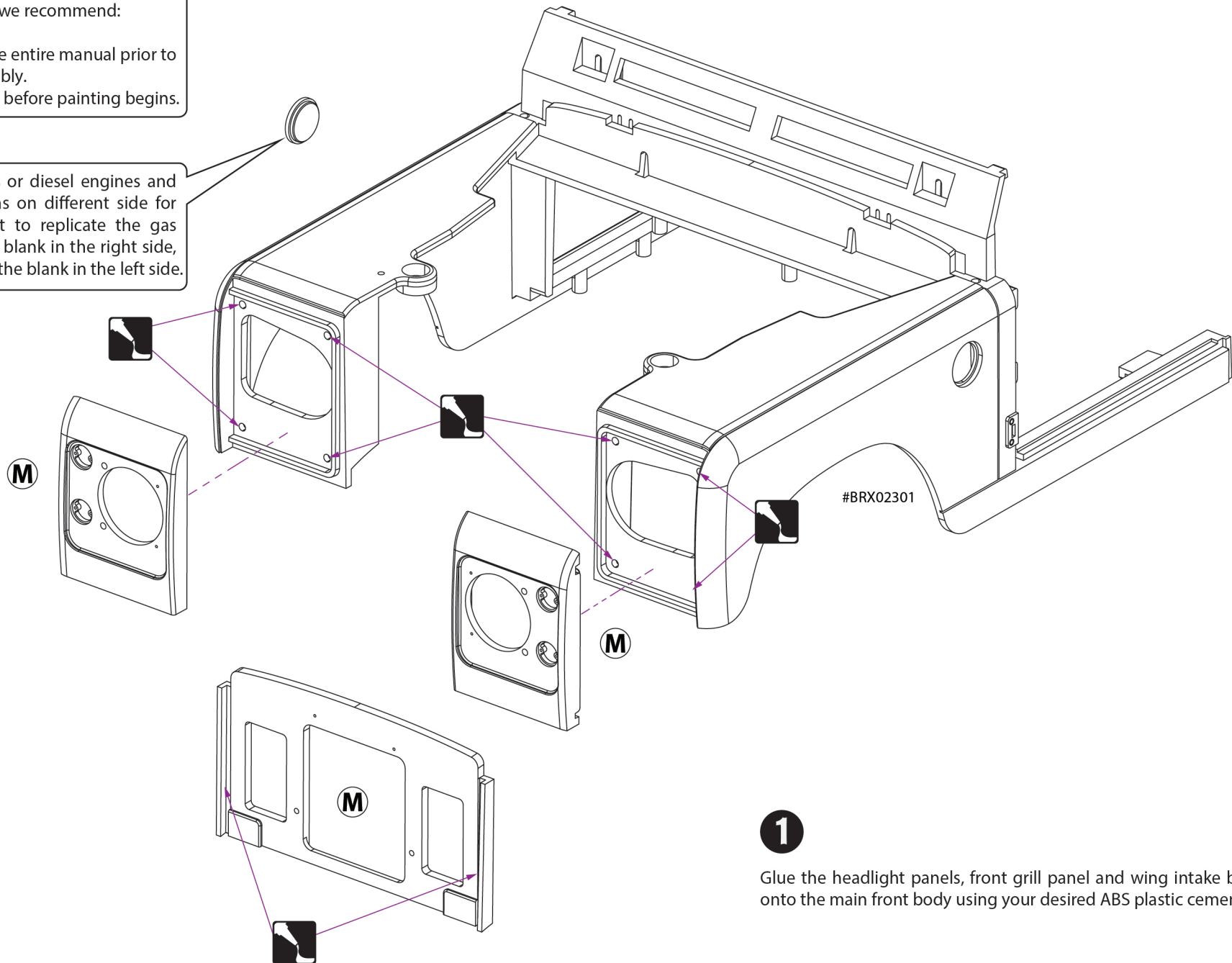


Before you begin, we recommend:

1. read through the entire manual prior to starting the assembly.
2. complete step 1 before painting begins.

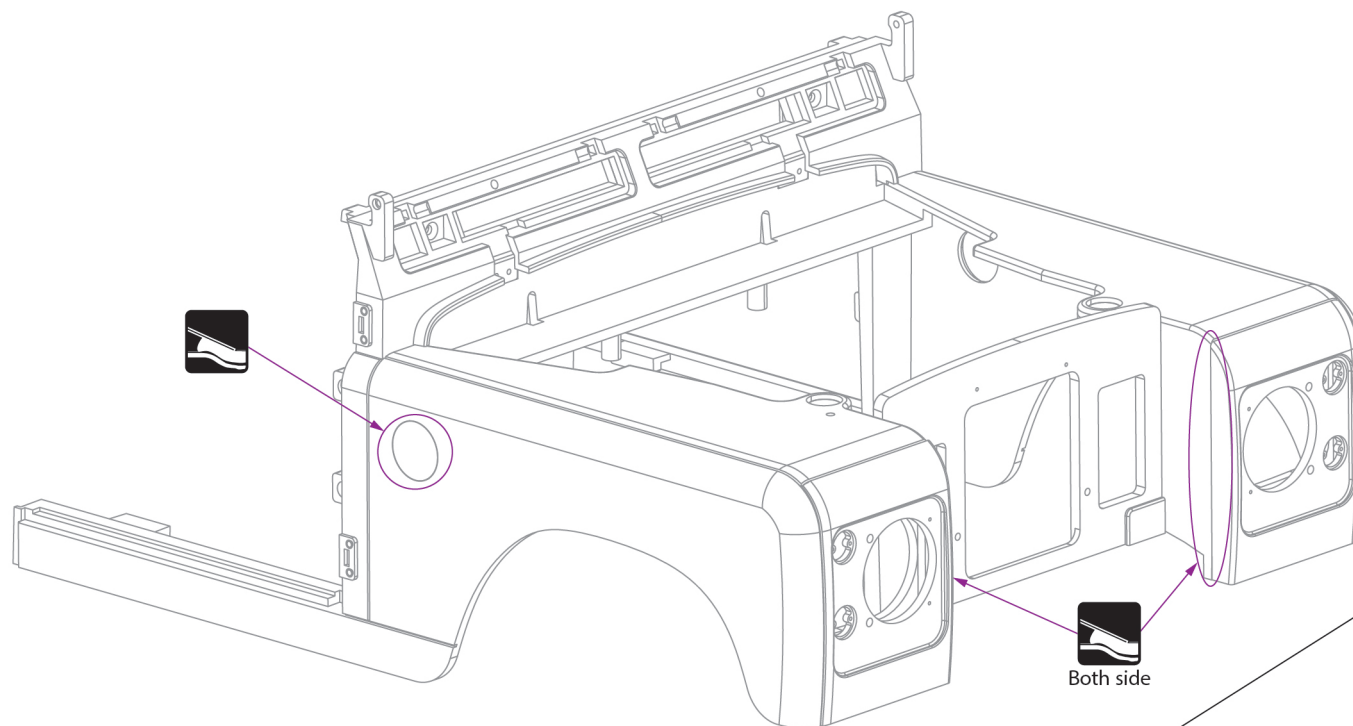
Gas or Diesel

Series IIIs had gas or diesel engines and the wing vent was on different side for each. If you want to replicate the gas version, insert the blank in the right side, for a diesel, insert the blank in the left side.

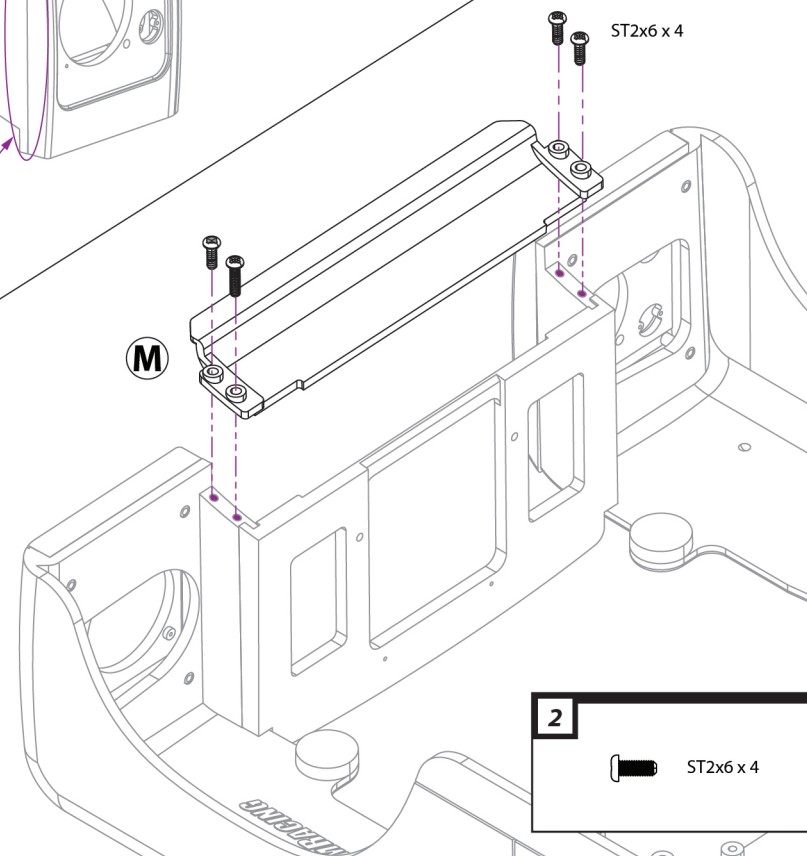


1

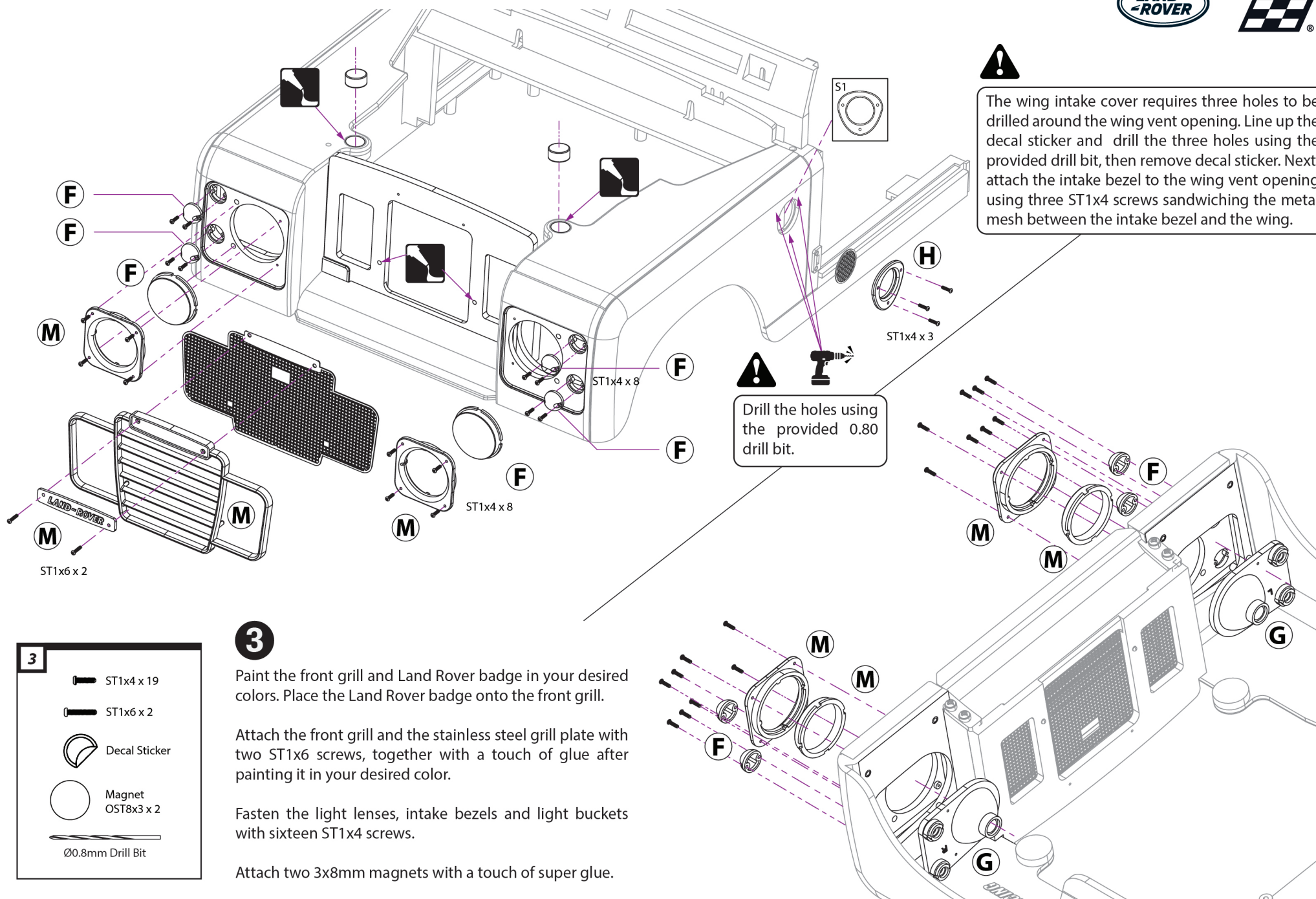
Glue the headlight panels, front grill panel and wing intake blank onto the main front body using your desired ABS plastic cement.



For the best results, we recommend using model filler (not included) to fill in these areas once they are glued together. If model filler is used, sand everything smooth before priming and painting.



2 Attach the front apron panel using four ST2x6 screws.



3

ST1x4 x 19

ST1x6 x 2

Decal Sticker

Magnet
OST8x3 x 2

Ø0.8mm Drill Bit

3

Paint the front grill and Land Rover badge in your desired colors. Place the Land Rover badge onto the front grill.

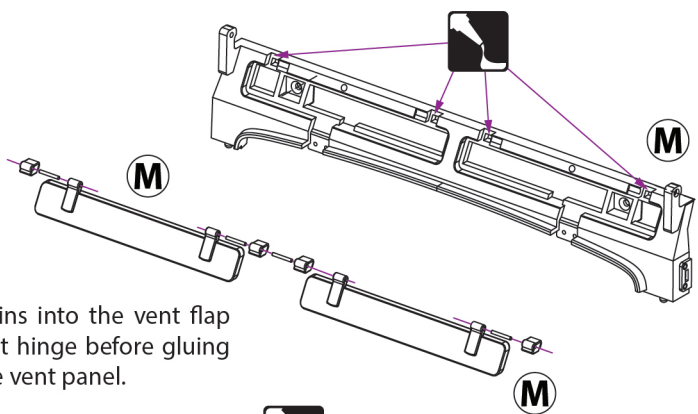
Attach the front grill and the stainless steel grill plate with two ST1x6 screws, together with a touch of glue after painting it in your desired color.

Fasten the light lenses, intake bezels and light buckets with sixteen ST1x4 screws.

Attach two 3x8mm magnets with a touch of super glue.

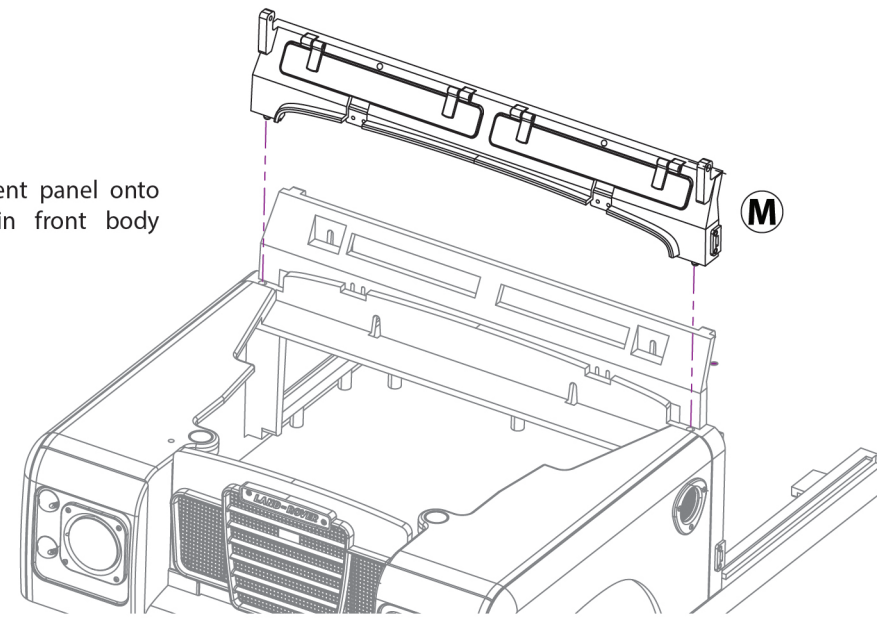
4

Insert pins into the vent flap and vent hinge before gluing onto the vent panel.



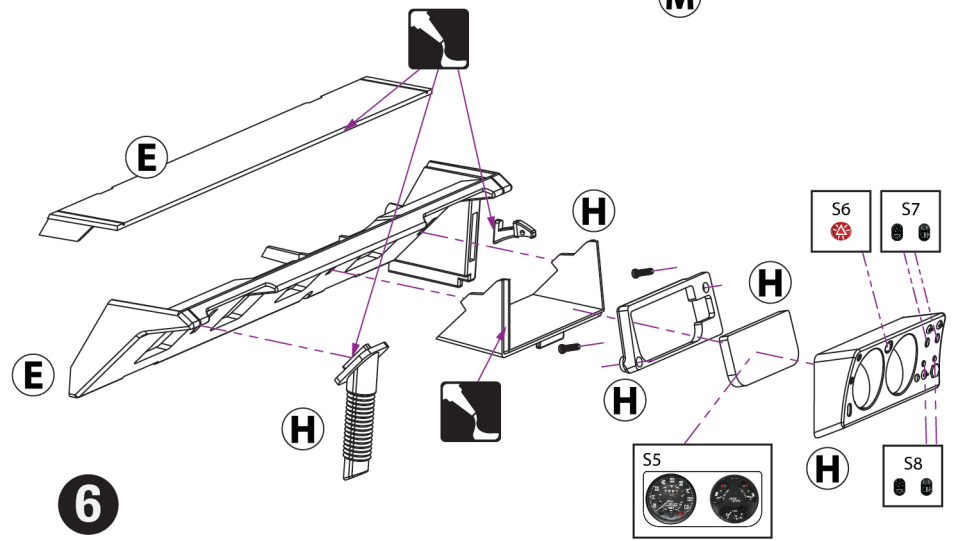
5

Insert vent panel onto the main front body section.



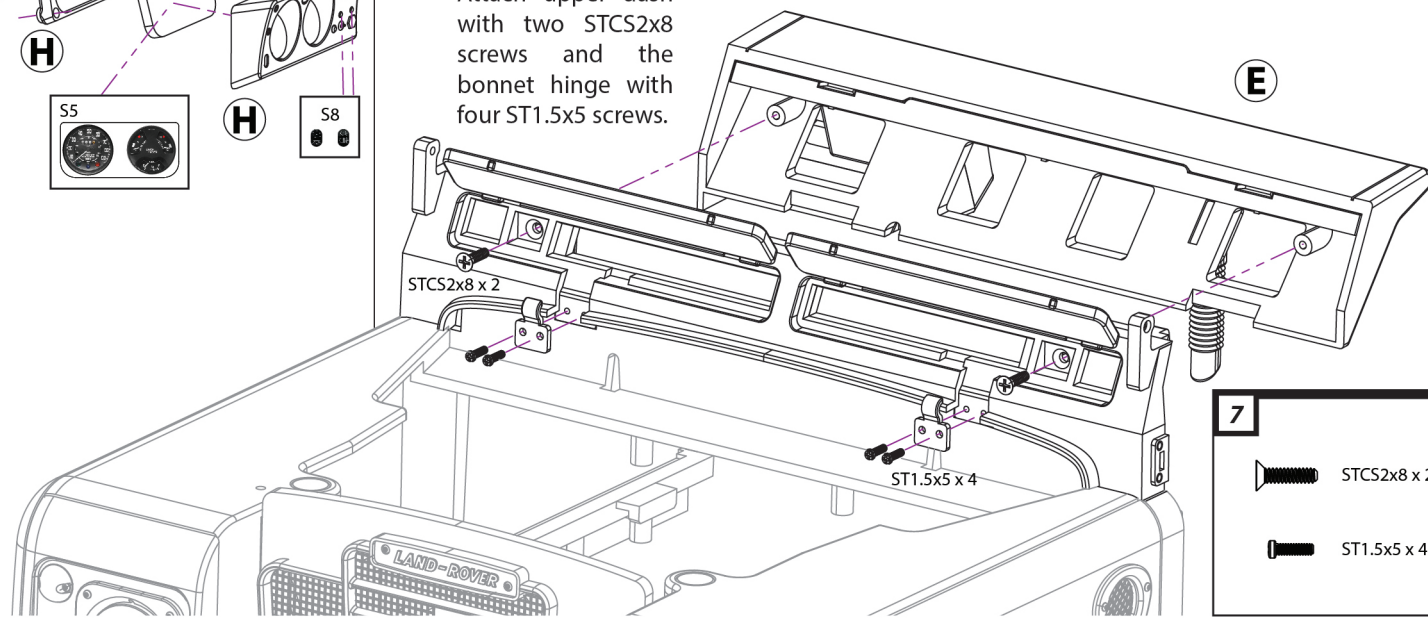
6

Glue the parts onto the upper dash as indicated and apply decal stickers to the instrument panel. Use two ST2x5 screws to fasten the instrument panel down.



7

Attach upper dash with two STCS2x8 screws and the bonnet hinge with four ST1.5x5 screws.



6

- ST2x5 x 2
- Decal Sticker

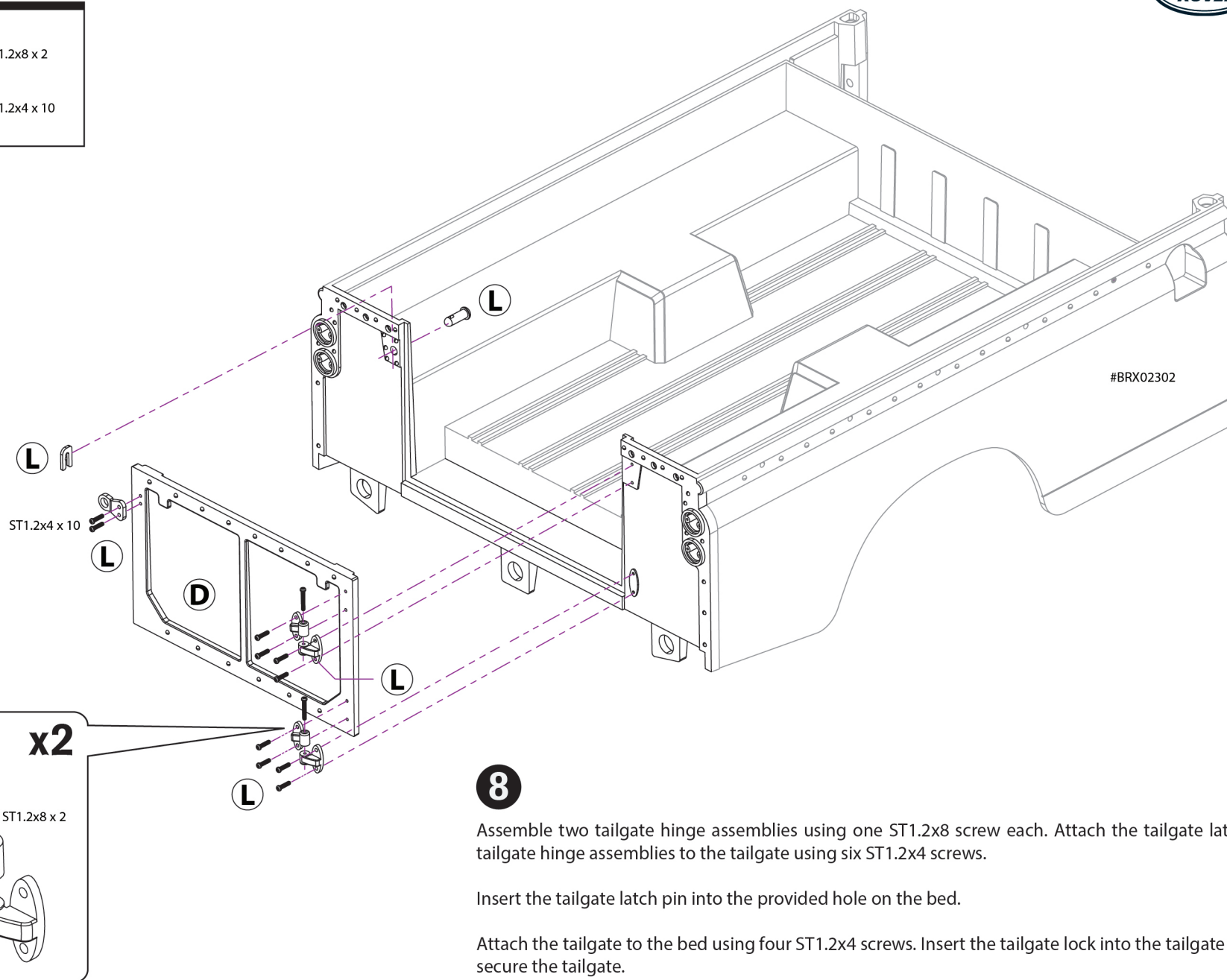
7

- STCS2x8 x 2
- ST1.5x5 x 4

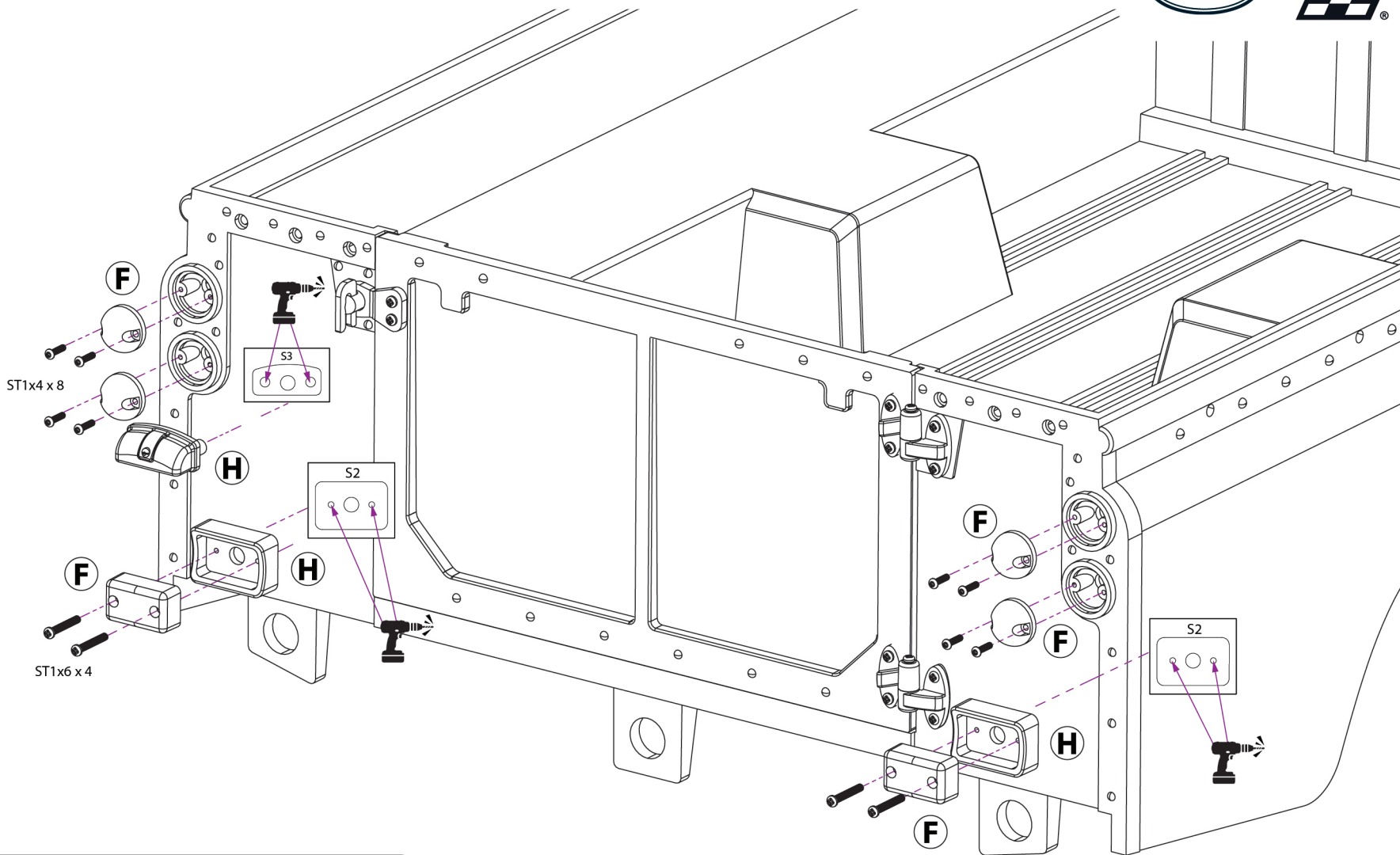
8

ST1.2x8 x 2

ST1.2x4 x 10



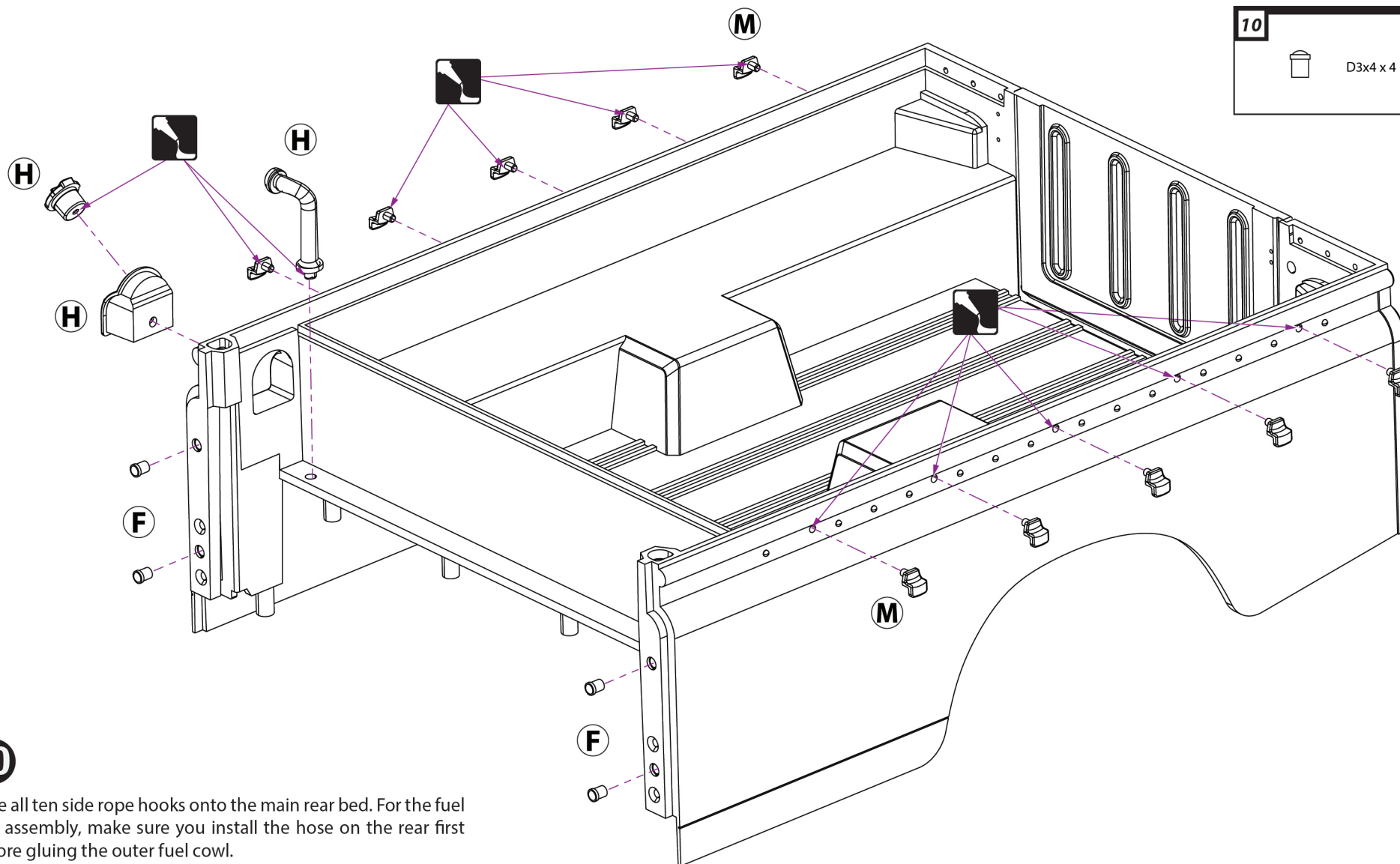
- 9**
- ST1x6 x 4
 - ST1x4 x 8
 - Decal Sticker
 - Ø0.8mm Drill Bit
 - Ø2.5mm Drill Bit
 - Ø3.0mm Drill Bit



For the rear square lights and rear number plate light, choose where you would like to position them. Use the provided decal sticker to drill the holes for the lights, 3mm for LED / 0.8mm for screws, then remove the decal sticker. Next, attach the square lights with four ST1x6 screws. The number plate light you have to drill two 2.5mm holes and attached with a dab of glue. Every Series III was different depending on regional laws, so we leave that placement up to you.

9

Attach rear light lenses with eight ST1x4 screws.



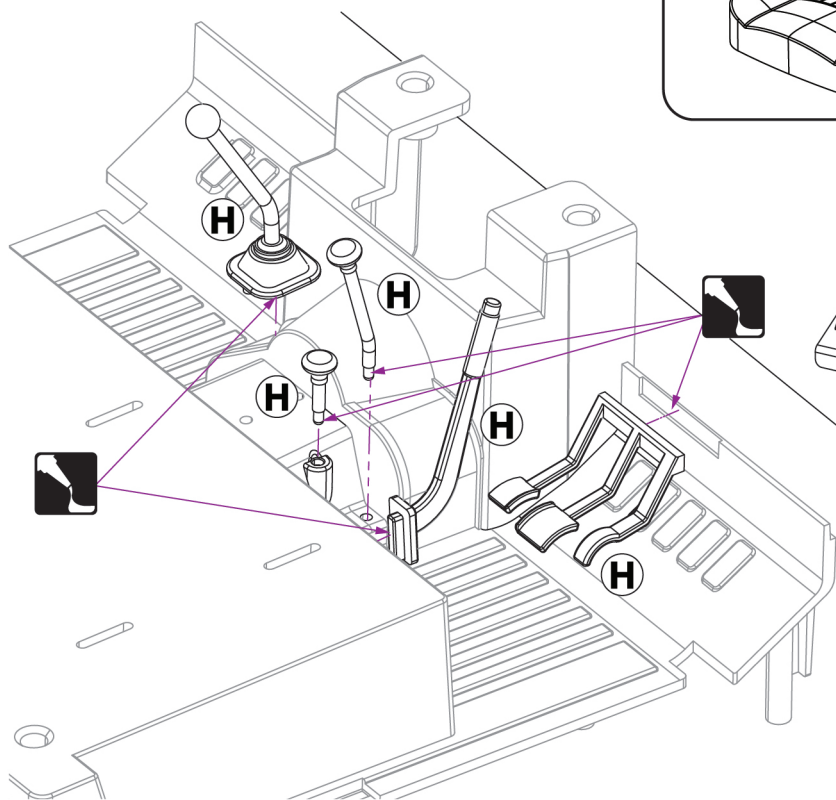
10

Glue all ten side rope hooks onto the main rear bed. For the fuel cap assembly, make sure you install the hose on the rear first before gluing the outer fuel cowl.

Insert four D3x4 spring plunger catch into the bed as indicated.

11

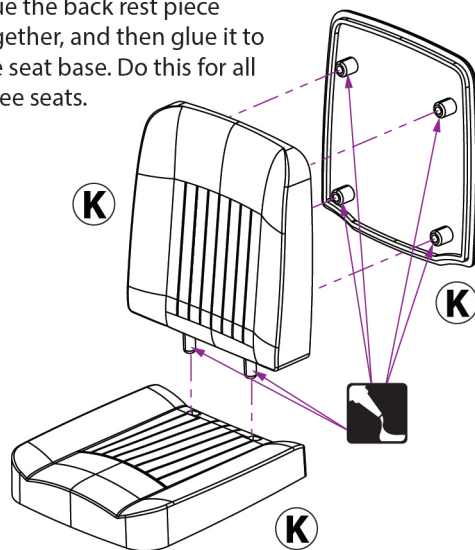
Attach the gear stick, hi/low stick, 2WD/4WD stick, handbrake and foot pedals with a touch of glue to the interior floor panel.



12

x3

Glue the back rest piece together, and then glue it to the seat base. Do this for all three seats.

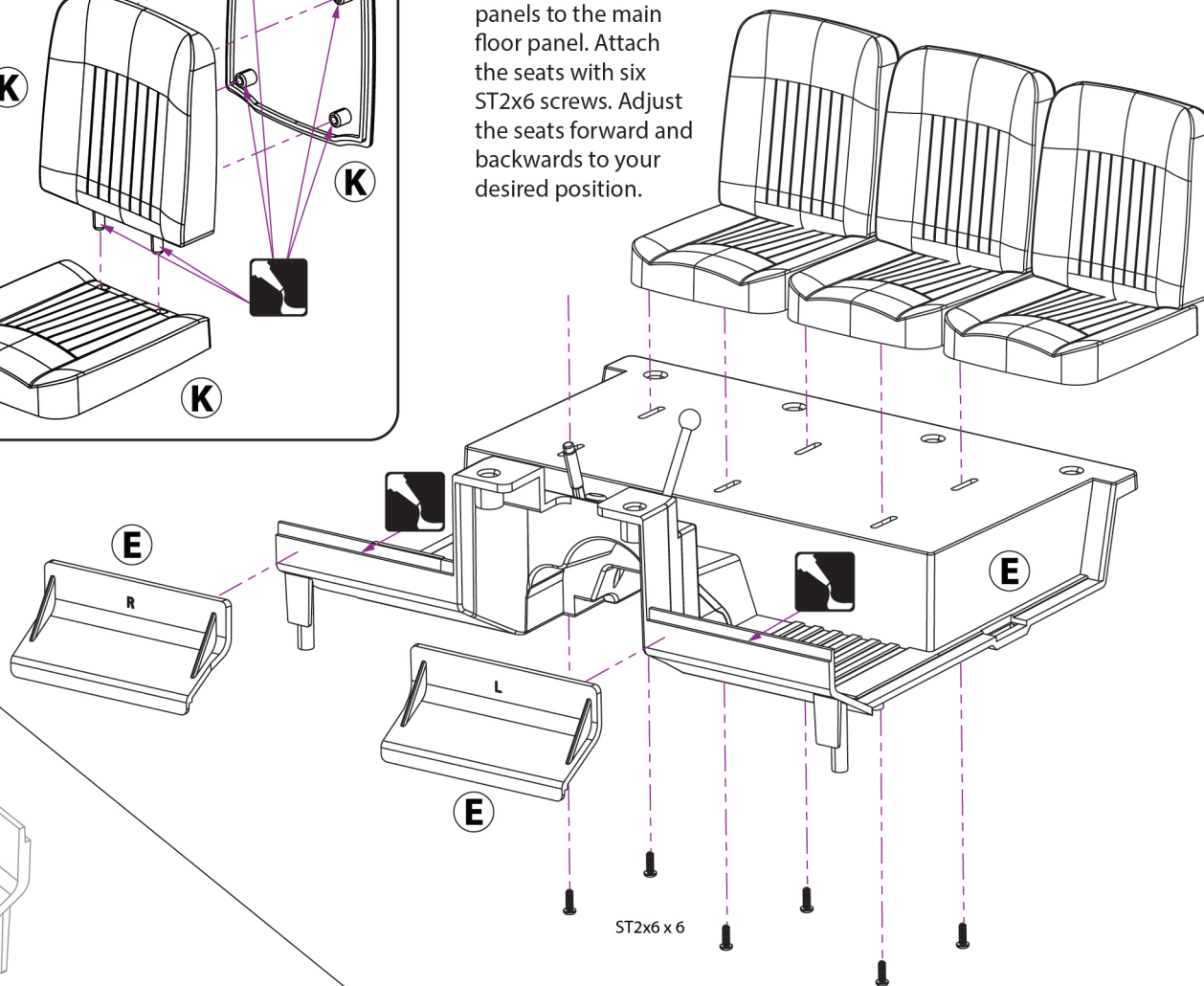


13

Glue the left and right front floor panels to the main floor panel. Attach the seats with six ST2x6 screws. Adjust the seats forward and backwards to your desired position.

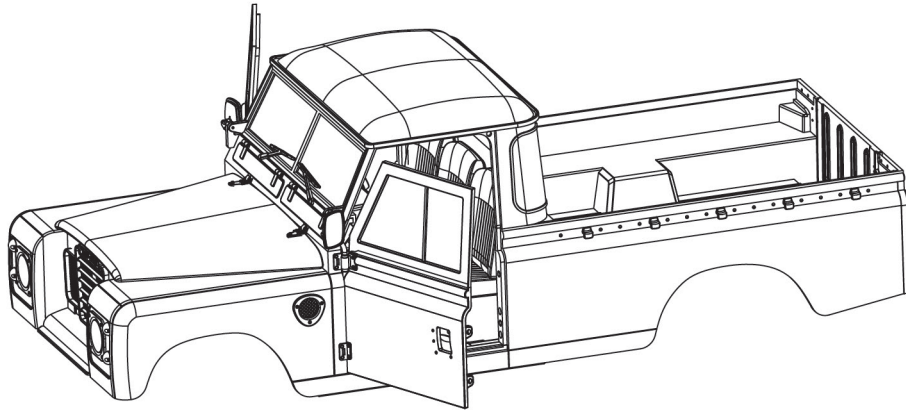
13

ST2x6 x 6



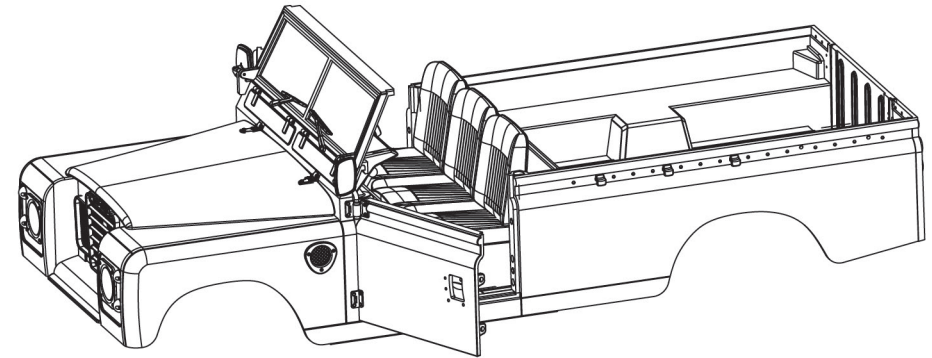


ARE YOU BUILDING A HARDTOP OR CONVERTIBLE TRUCK?



HARDTOP

P. 16



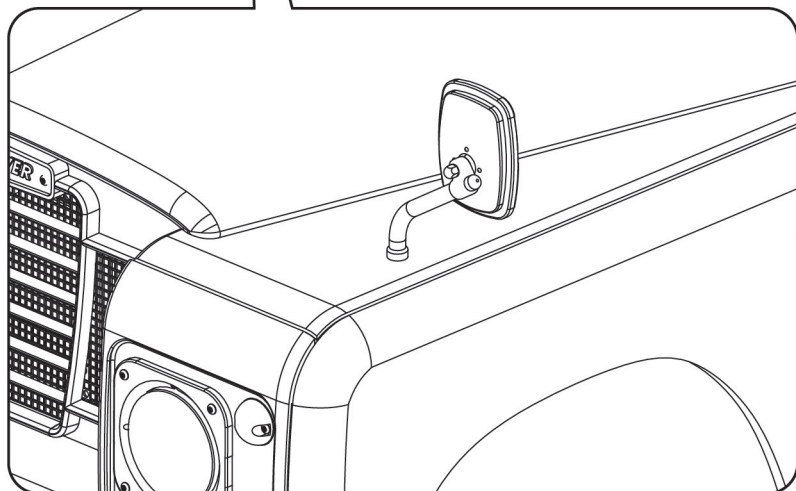
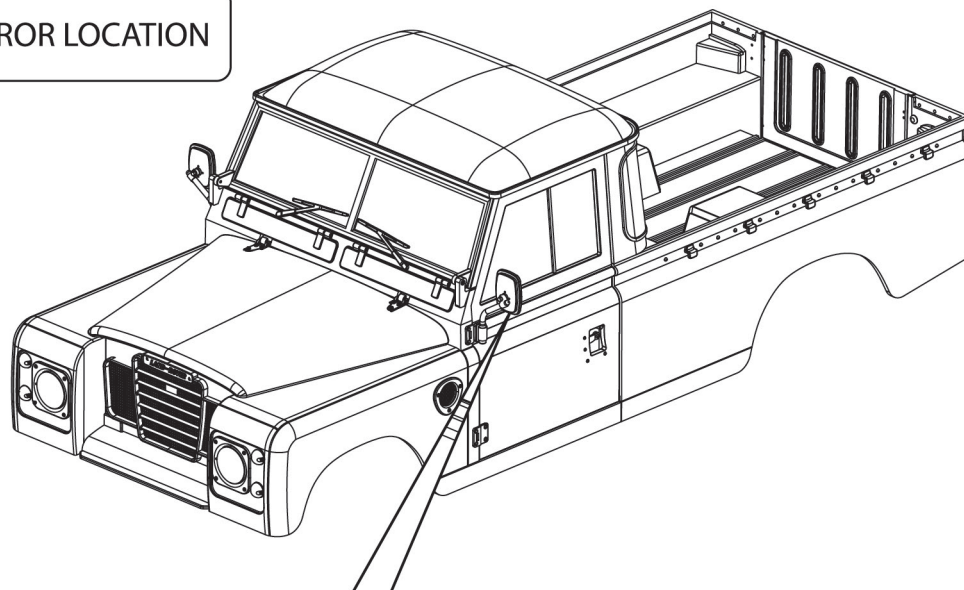
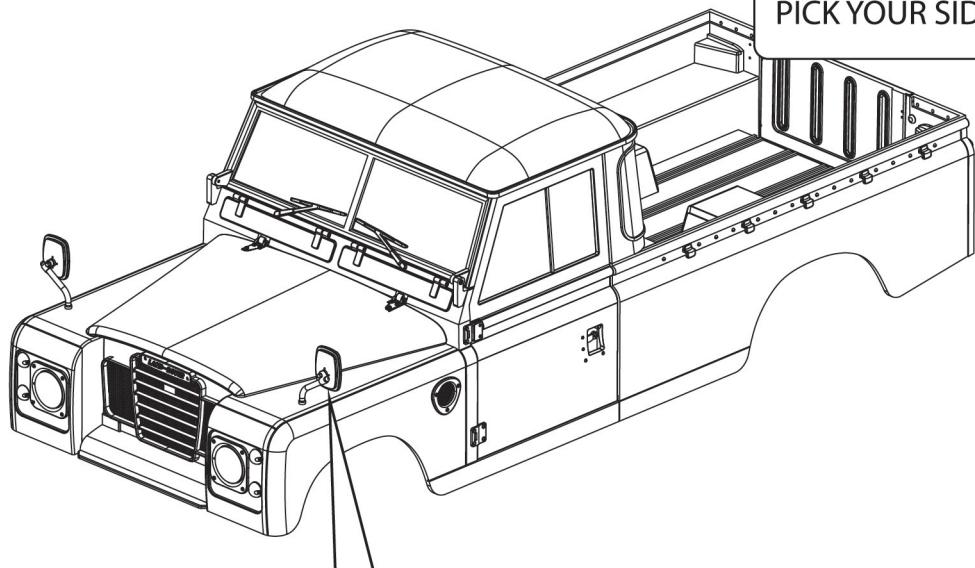
CONVERTIBLE

P. 27

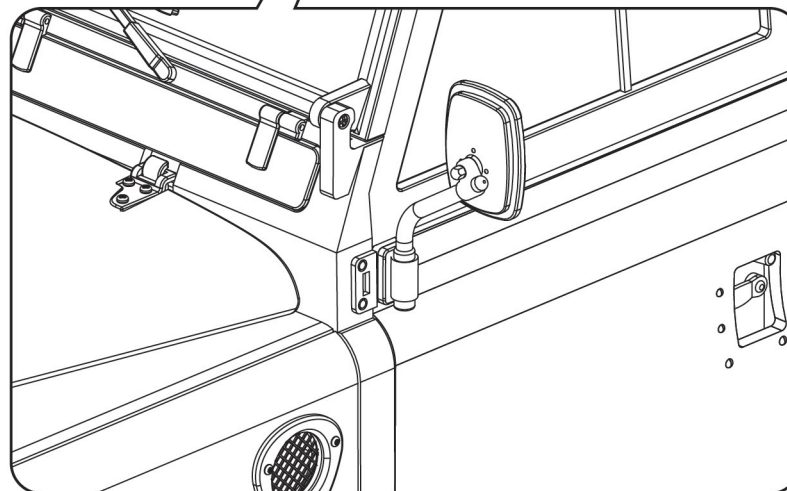
Continue to the next page if hardtop. Skip to page 27 if convertible.



PICK YOUR SIDE MIRROR LOCATION



FENDER MIRRORS



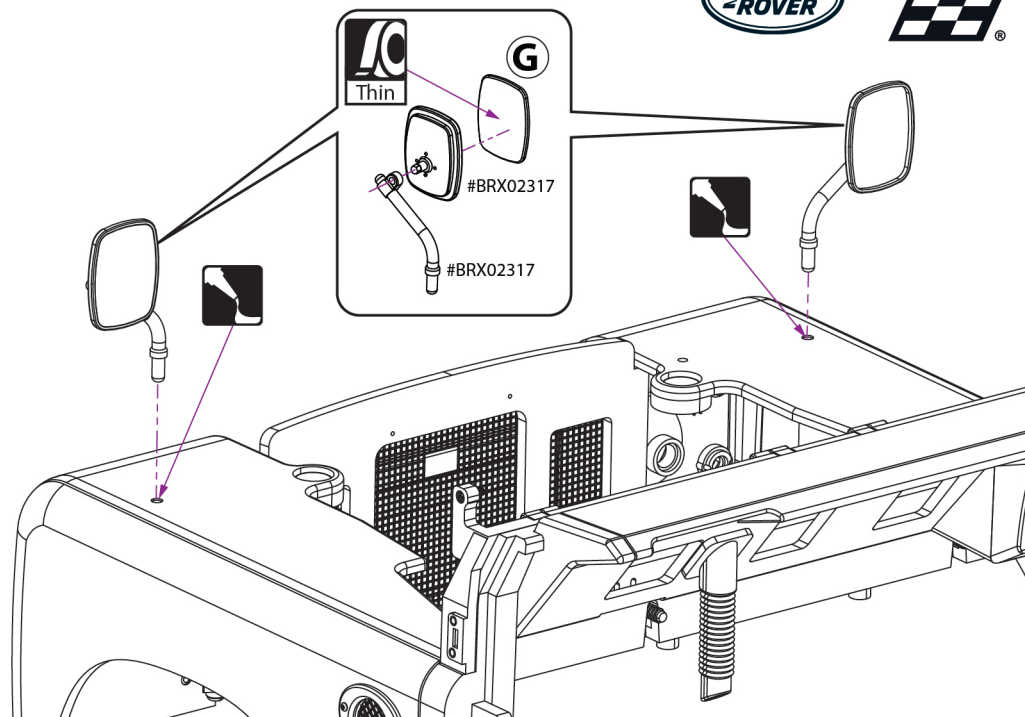
DOOR MIRRORS

Fender Mirrors



14

Drill two 2.4mm holes into the front main body from underneath as indicated. Use the provided double-sided tape (thin) to stick the mirror plate to the rubber mirror head and push the head into the mirror arm. Push the mirror arm into the holes that are drilled. Then glue from the bottom into position. Repeat on the other side.



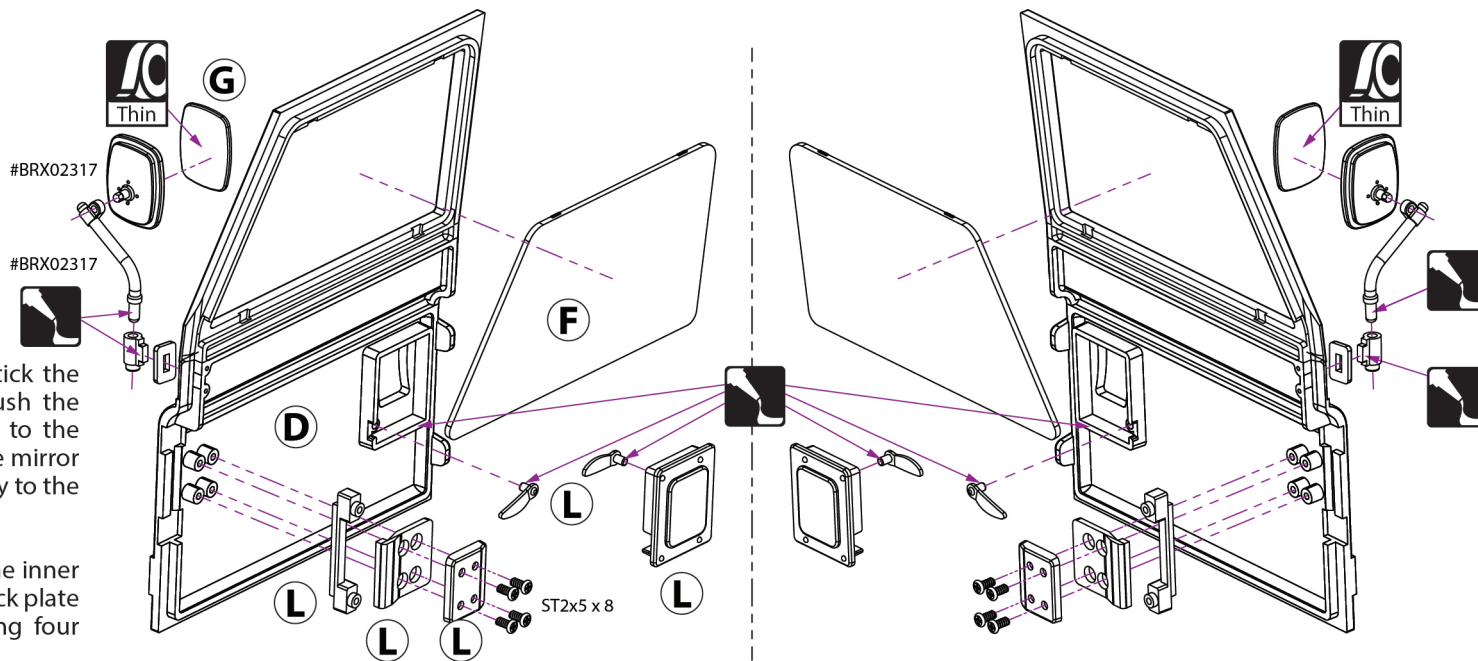
Door Mirrors



14

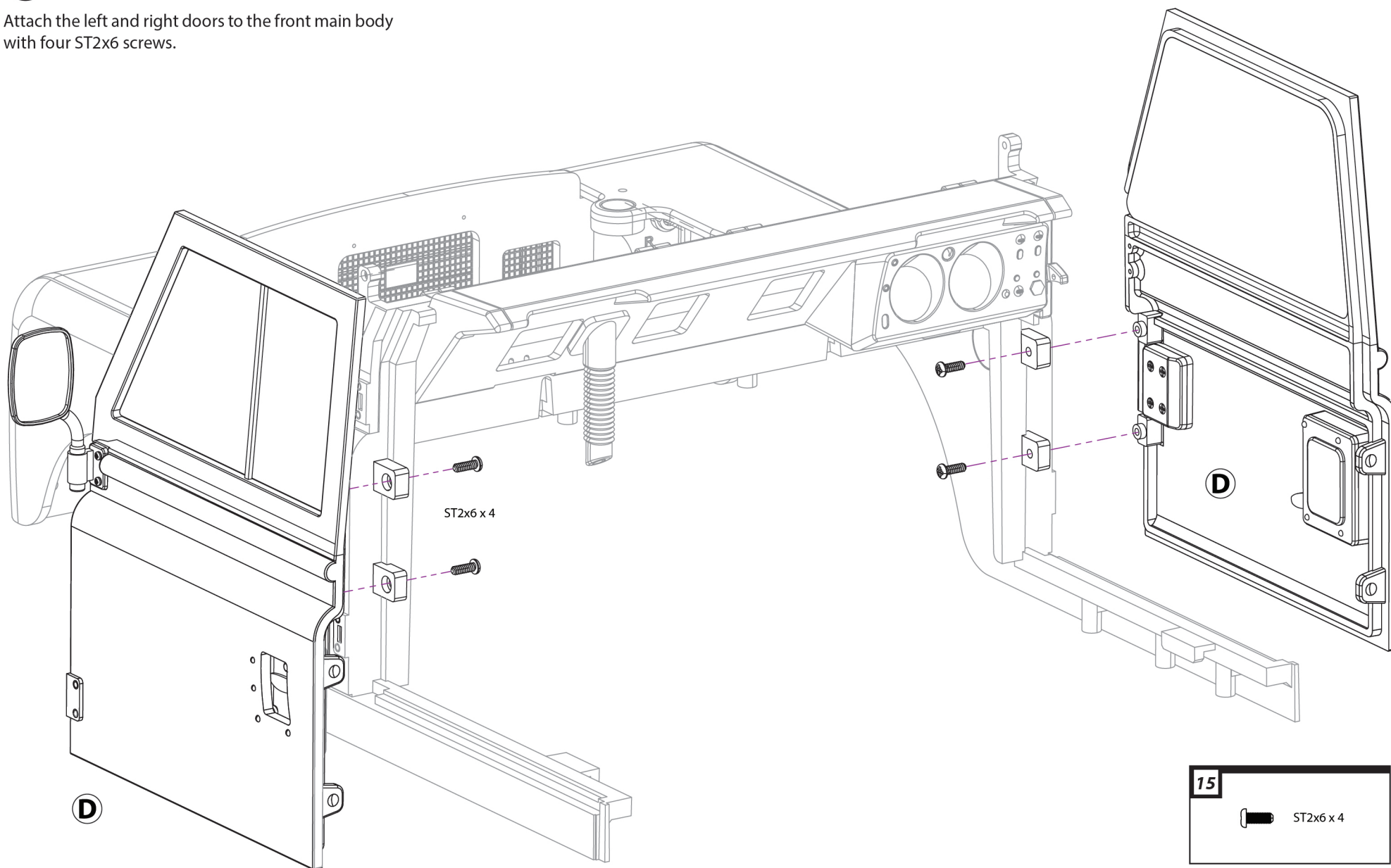
Use the provided double-sided tape (thin) to stick the mirror plate to the rubber mirror head and push the head into the mirror arm. Glue the mirror arm to the mirror arm holder. Next, glue the assembly to the mirror retaining plate, and then glue the whole assembly to the door. Repeat for the other side.

Clip the clear side window into position. Insert the inner and outer door handles into the door and door lock plate and glue into position. Attach door hinge using four ST2x5 screws. Repeat on the other side.



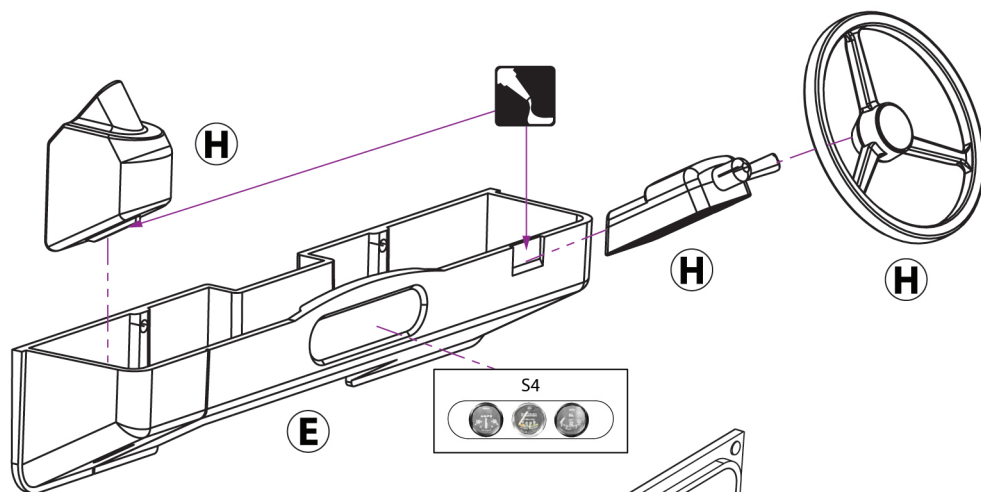
15

Attach the left and right doors to the front main body with four ST2x6 screws.



HARD TOP

HARD TOP

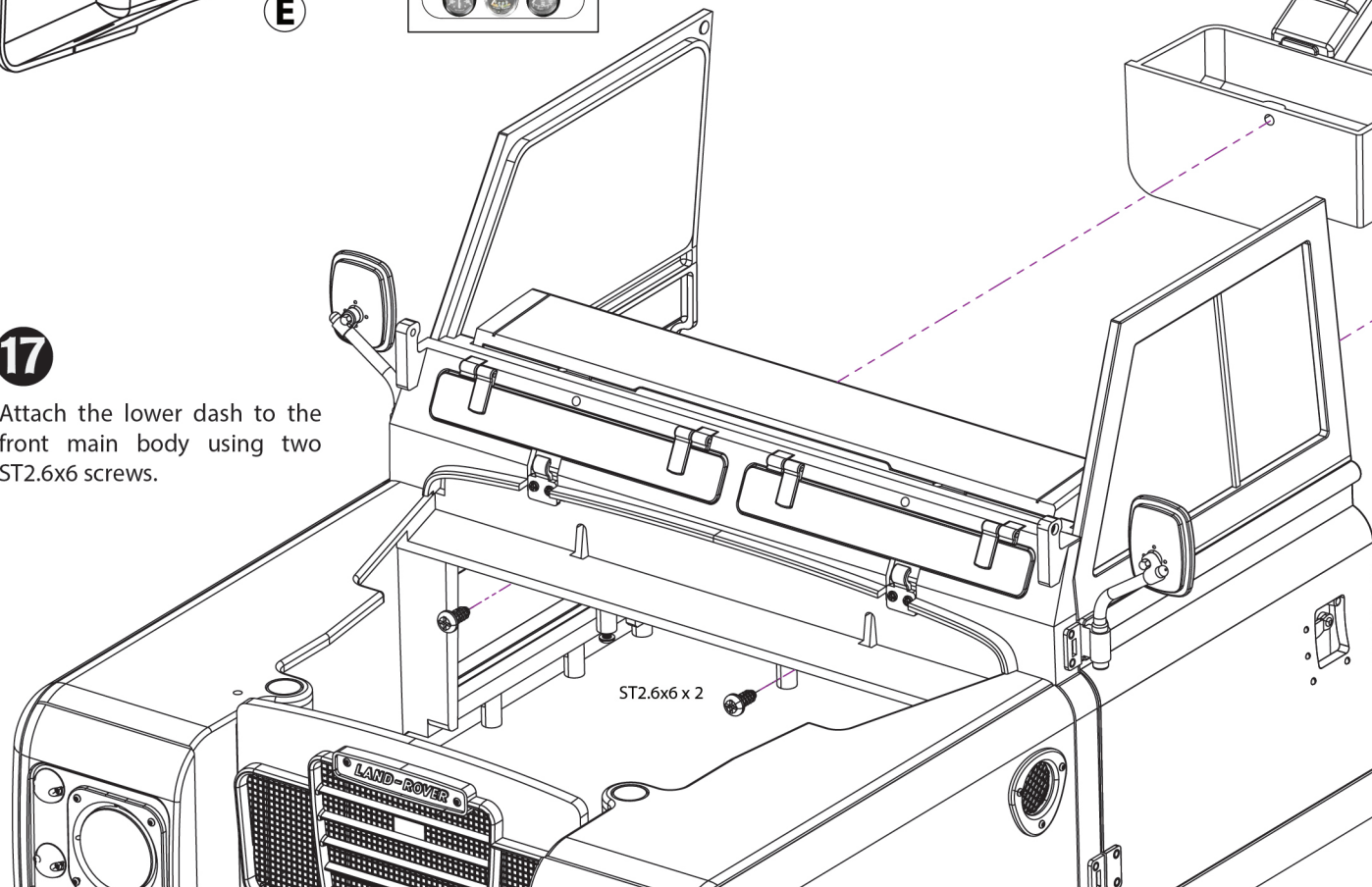


16

Glue the wiper cable cover and the steering column to the lower dash. Push the steering wheel onto the steering column and attach decal sticker.

17

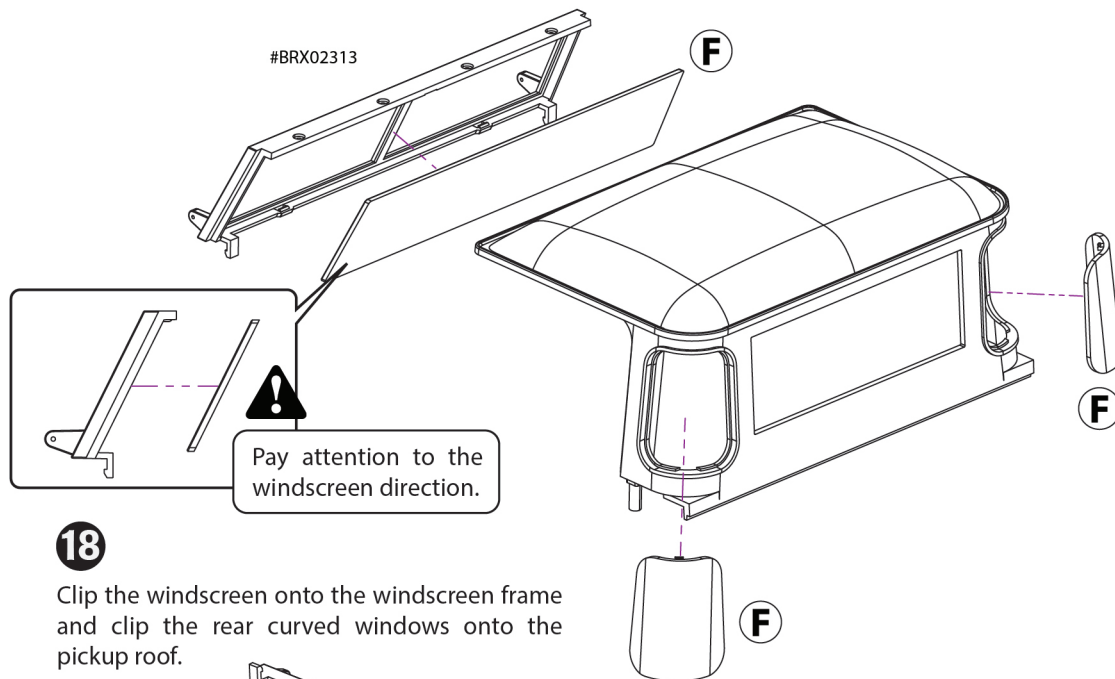
Attach the lower dash to the front main body using two ST2.6x6 screws.



17		ST2.6x6 x 2
		Decal Sticker

#BRX02313

F



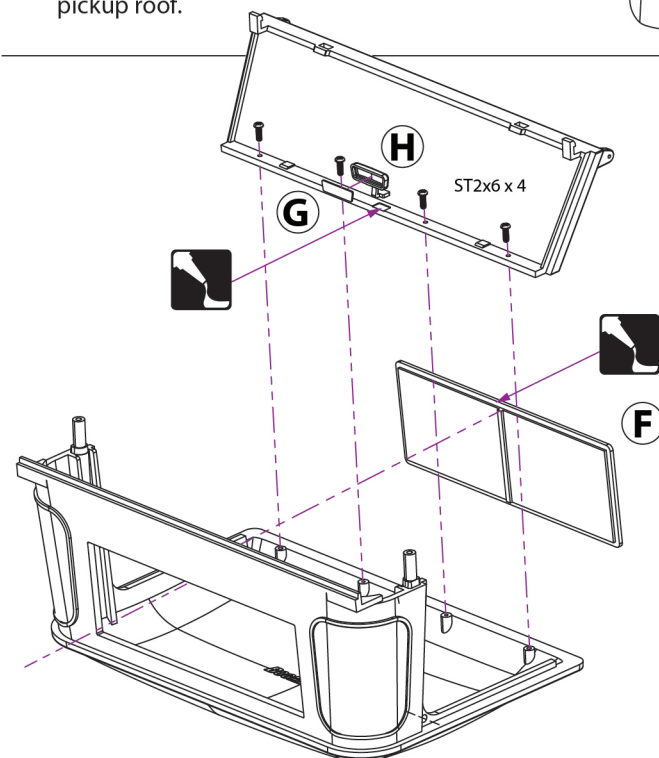
18

Clip the windscreen onto the windscreen frame and clip the rear curved windows onto the pickup roof.

F

19

ST2x6 x 4

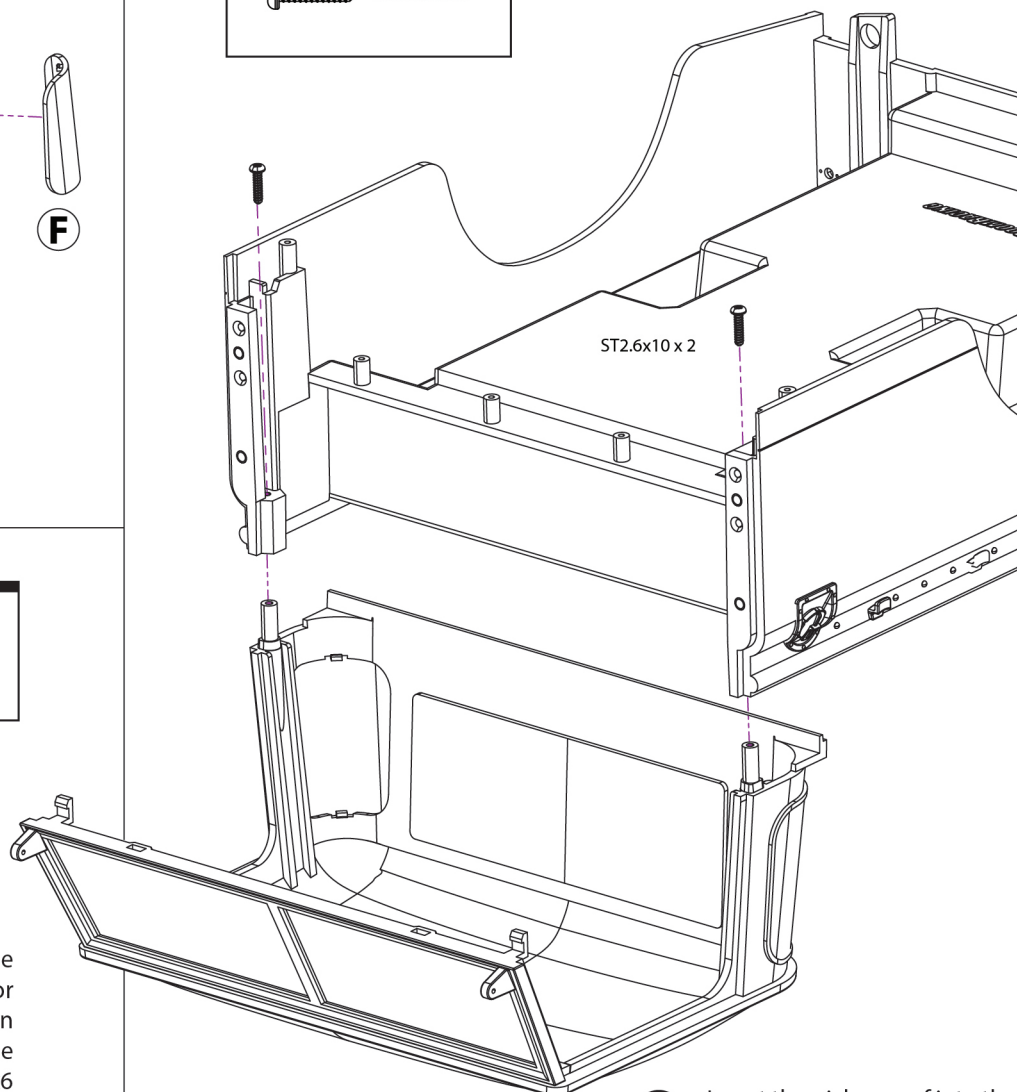


19

Glue the rear window onto the pickup roof and the interior mirror onto the windscreen frame. Attach the frame to the pickup roof using four ST2x6 screws.

20

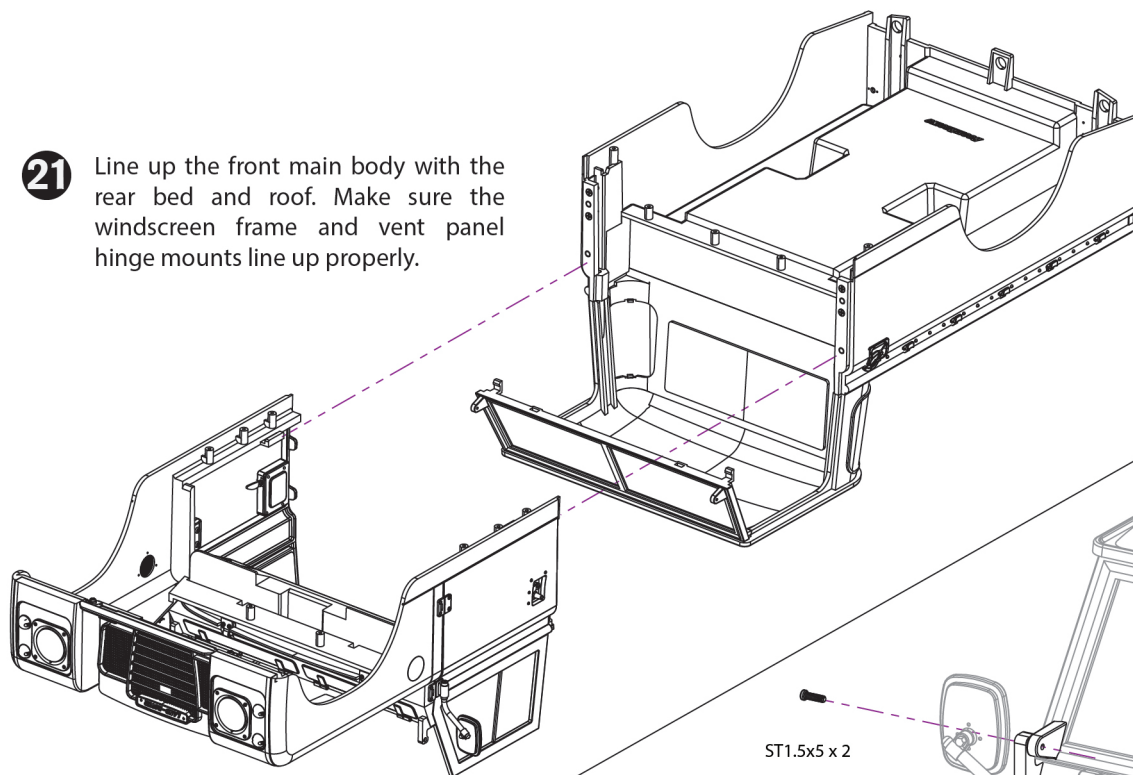
ST2.6x10 x 2



20

Insert the pickup roof into the rear bed and tighten it down with two ST2.6x10 screws.

- 21** Line up the front main body with the rear bed and roof. Make sure the windscreen frame and vent panel hinge mounts line up properly.

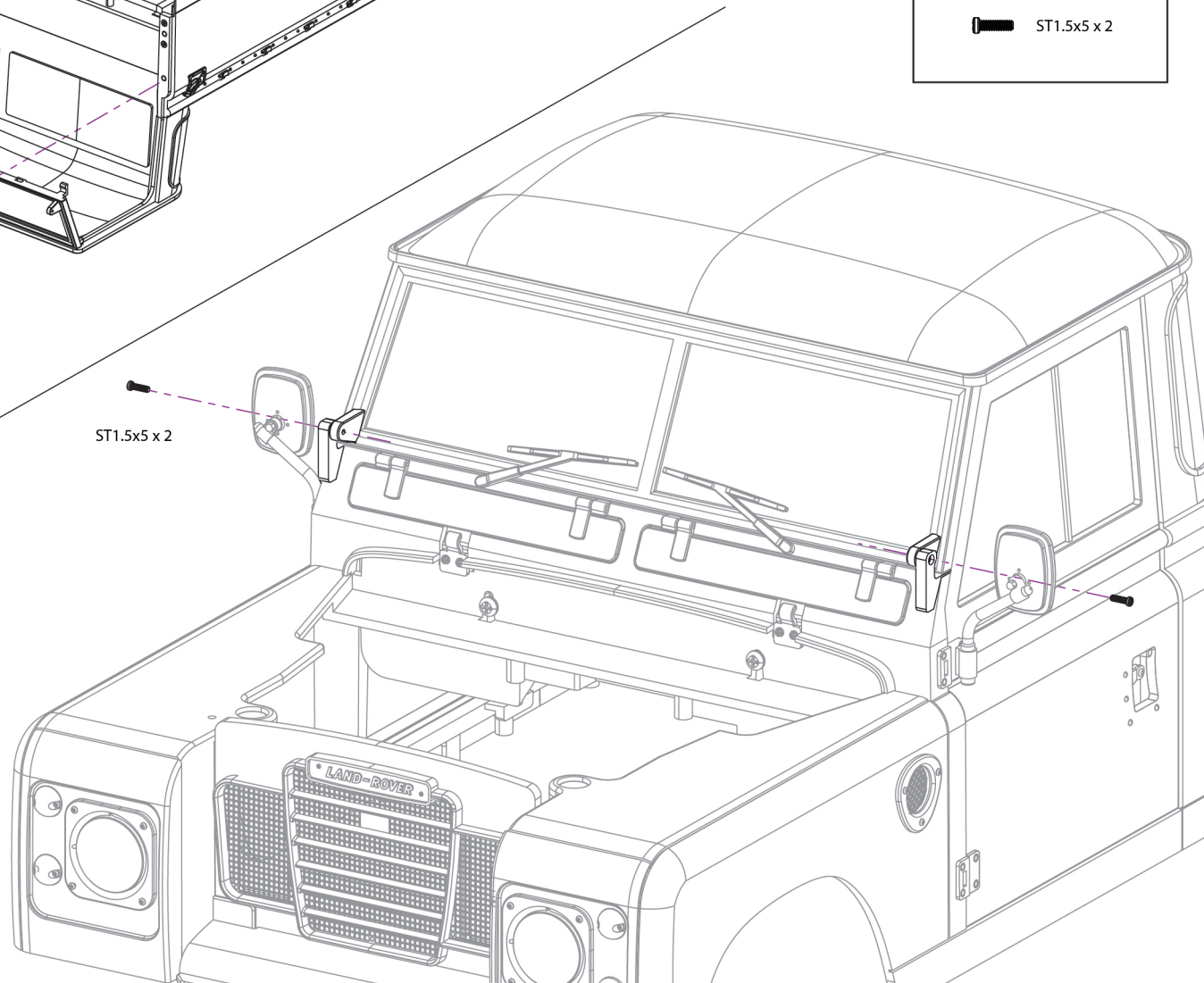


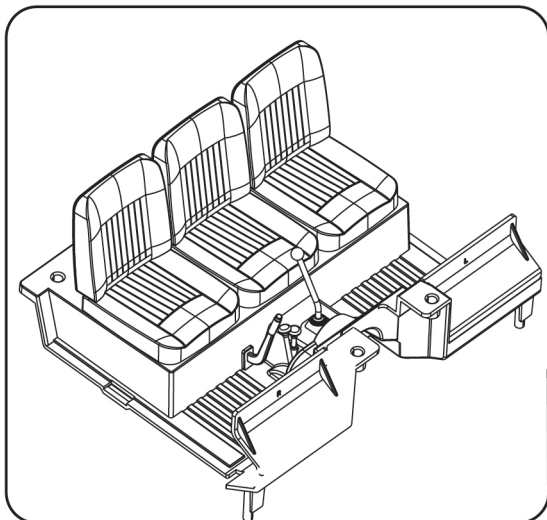
22

ST1.5x5 x 2

ST1.5x5 x 2

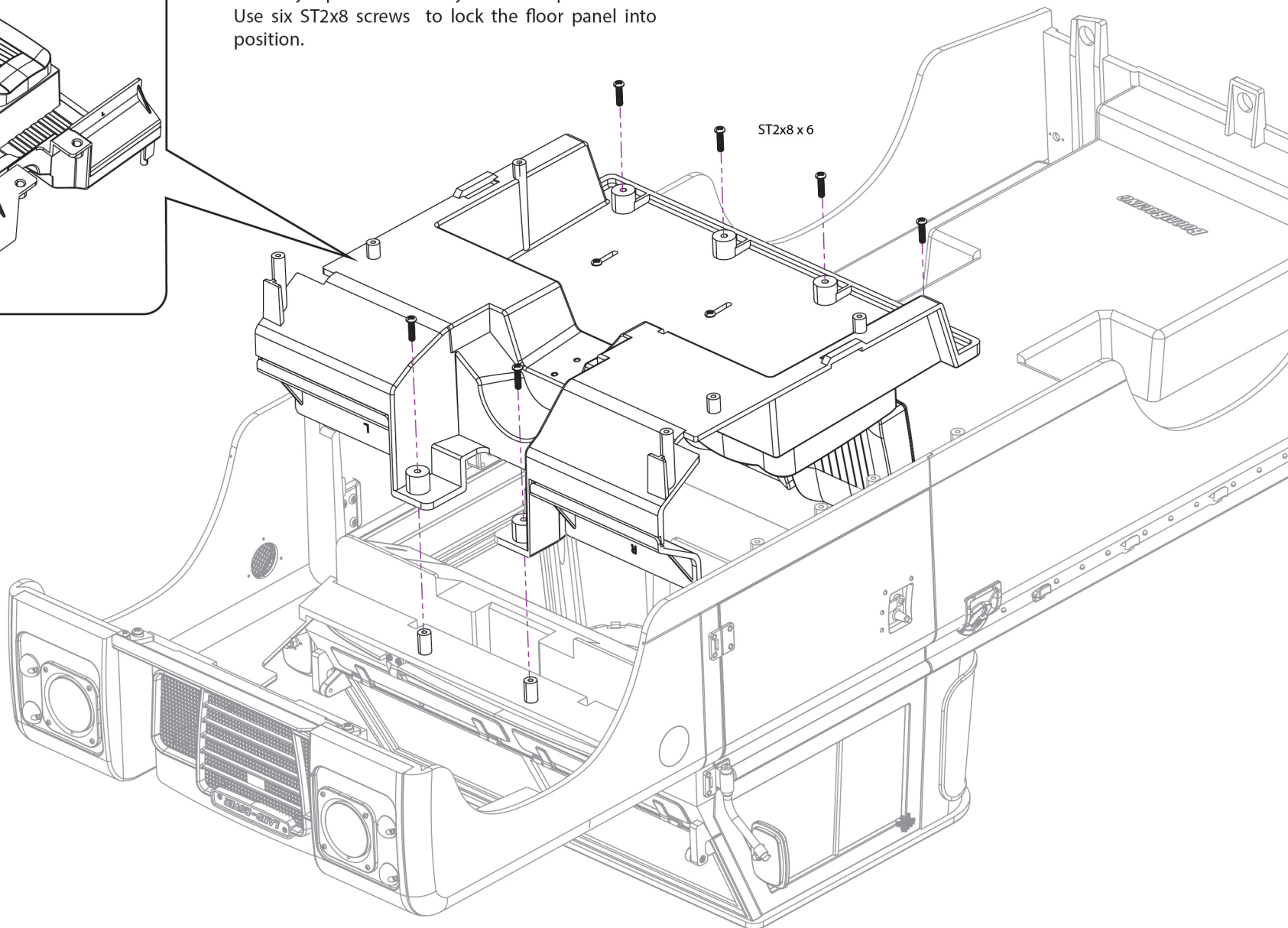
- 22** Attach the windscreen frame to the vent panel hinge mounts with two ST1.5x5 screws.






23

Carefully flip the main body and bed upside down.
Use six ST2x8 screws to lock the floor panel into position.



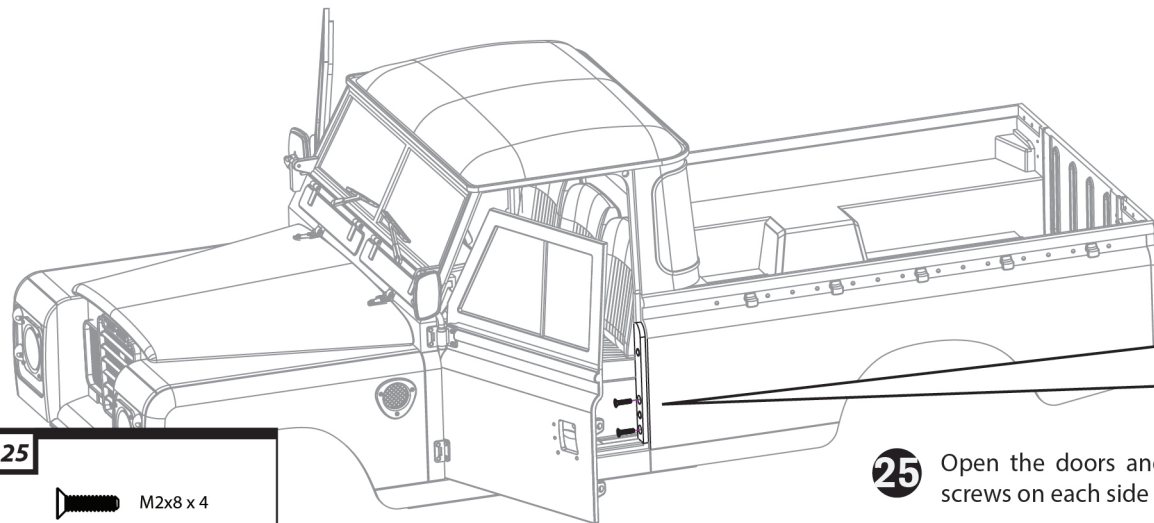
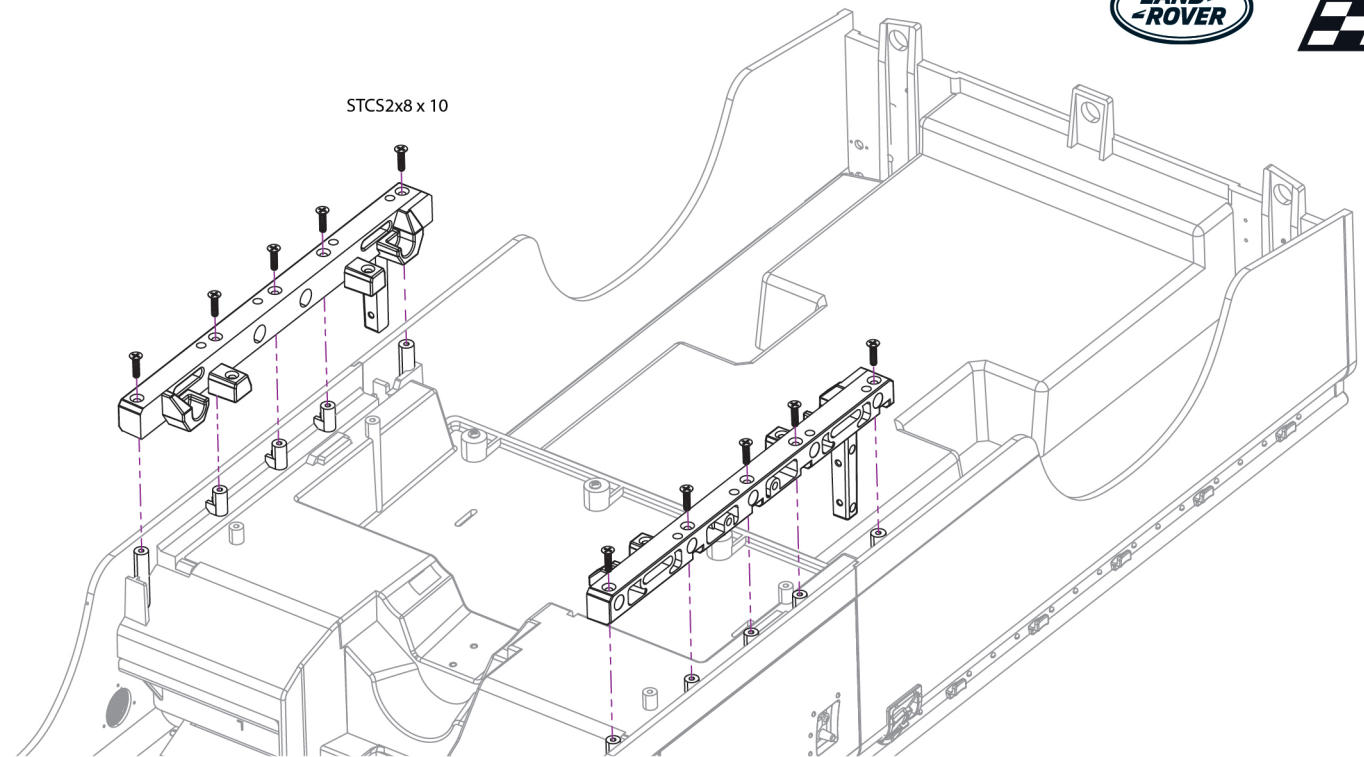
23

 ST2x8 x 6

24

STCS2x8 x 10

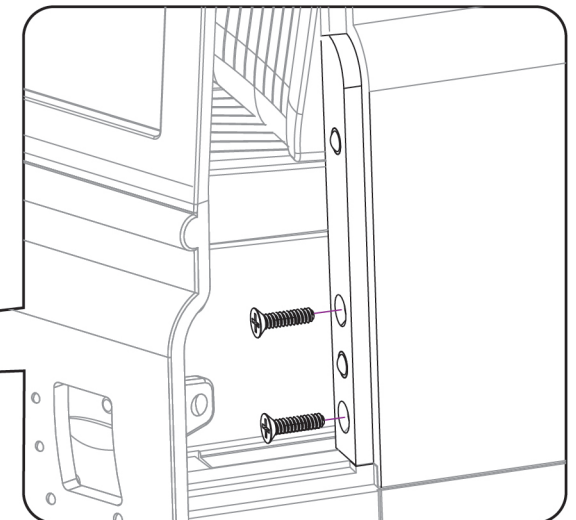
- 24 Attach the brace to the body using ten STCS2x8 screws to make sure everything is locked into position.



25

M2x8 x 4

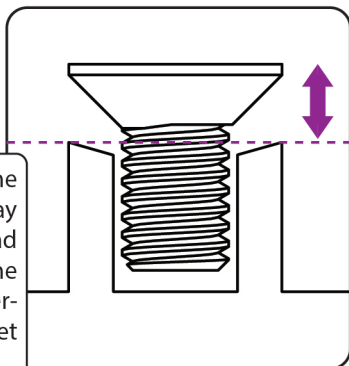
- 25 Open the doors and fasten two M2x8CS screws on each side into the body brace.



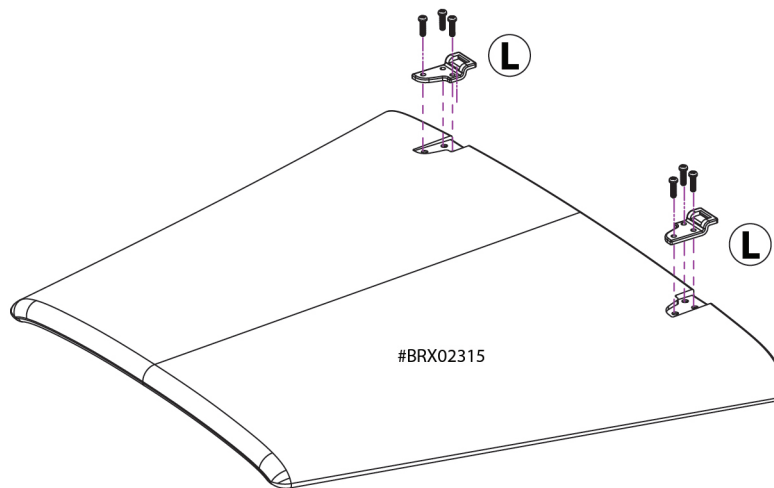
Use the two STCS3x6 screws to adjust the height of the bonnet and how tight they latch to the magnet.



Do not tighten the screws all the way down the head must not pass the dotted line, otherwise the bonnet can be damaged.

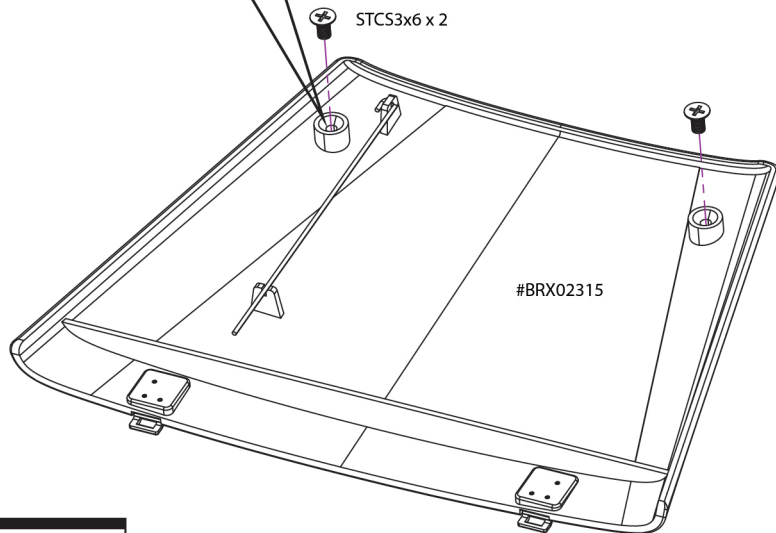


ST1.2x4 x 6



#BRX02315

STCS3x6 x 2



#BRX02315

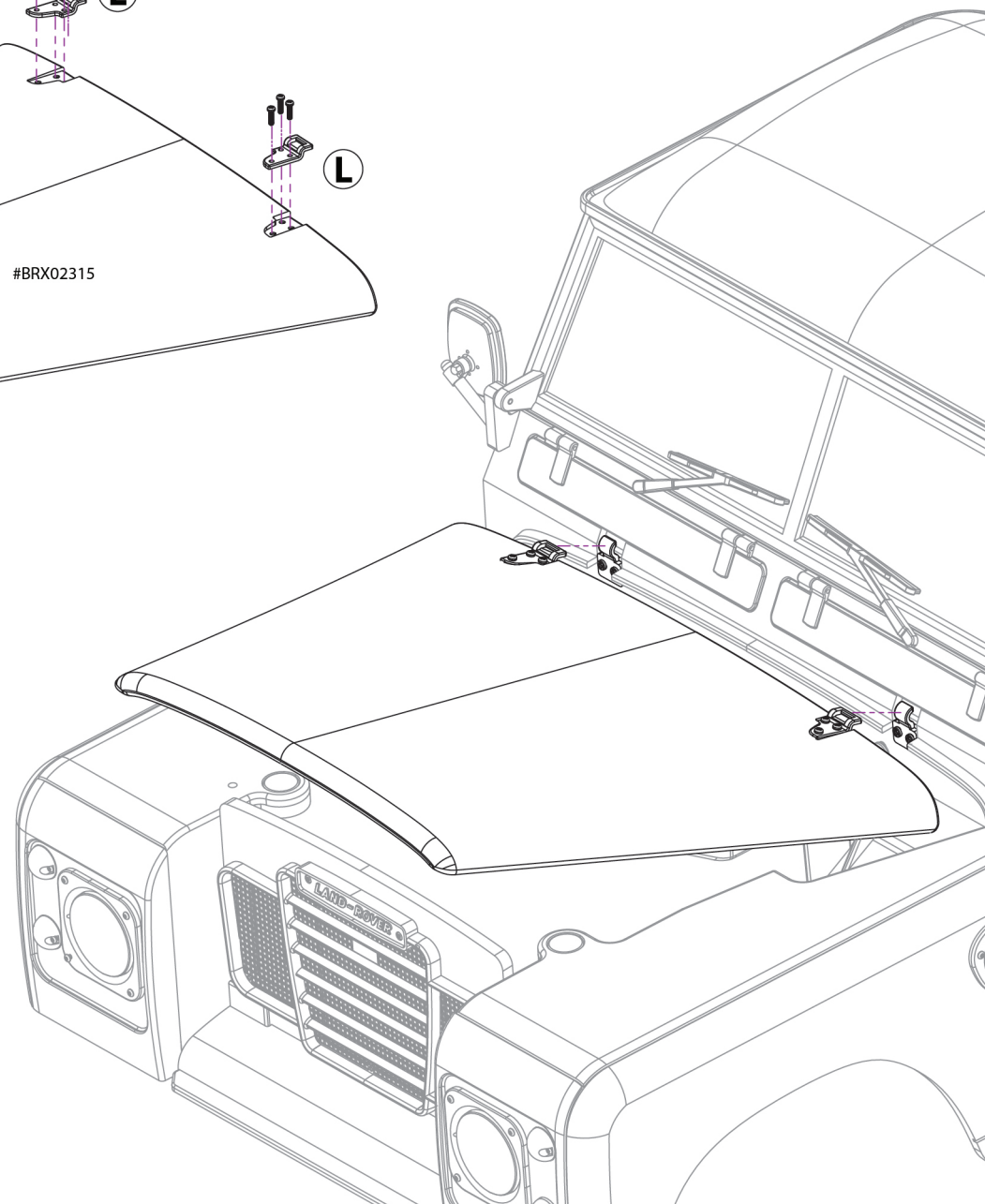
26

 ST1.2x4 x 6

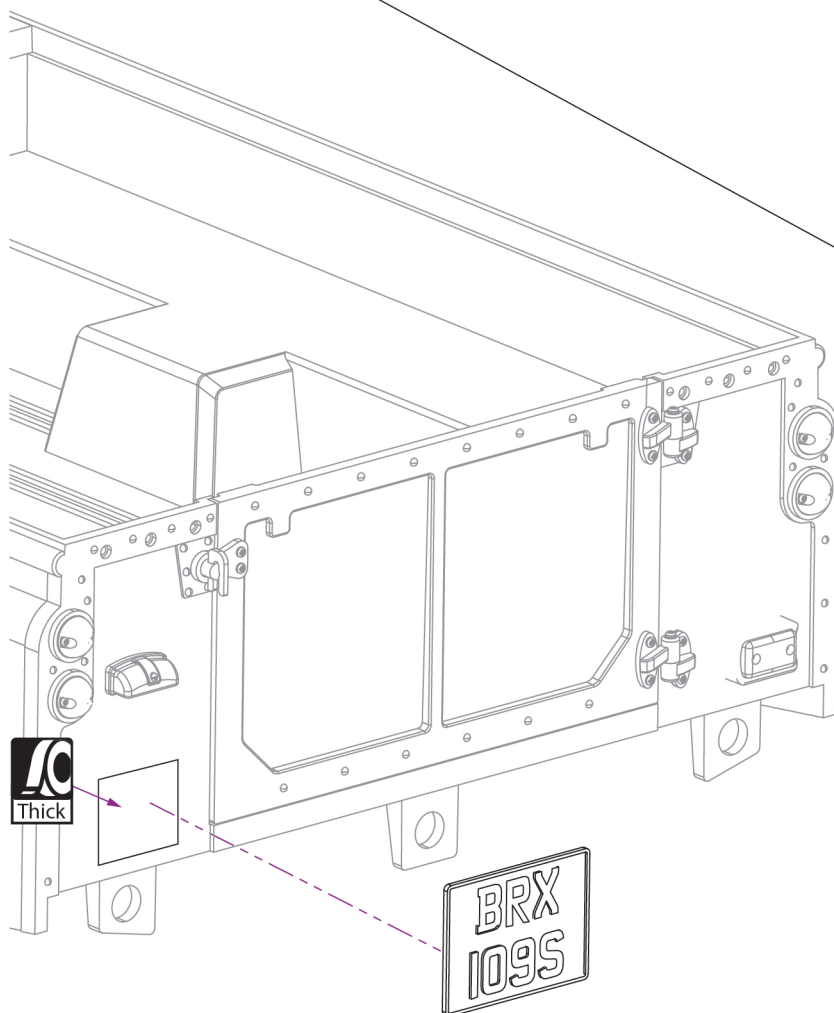
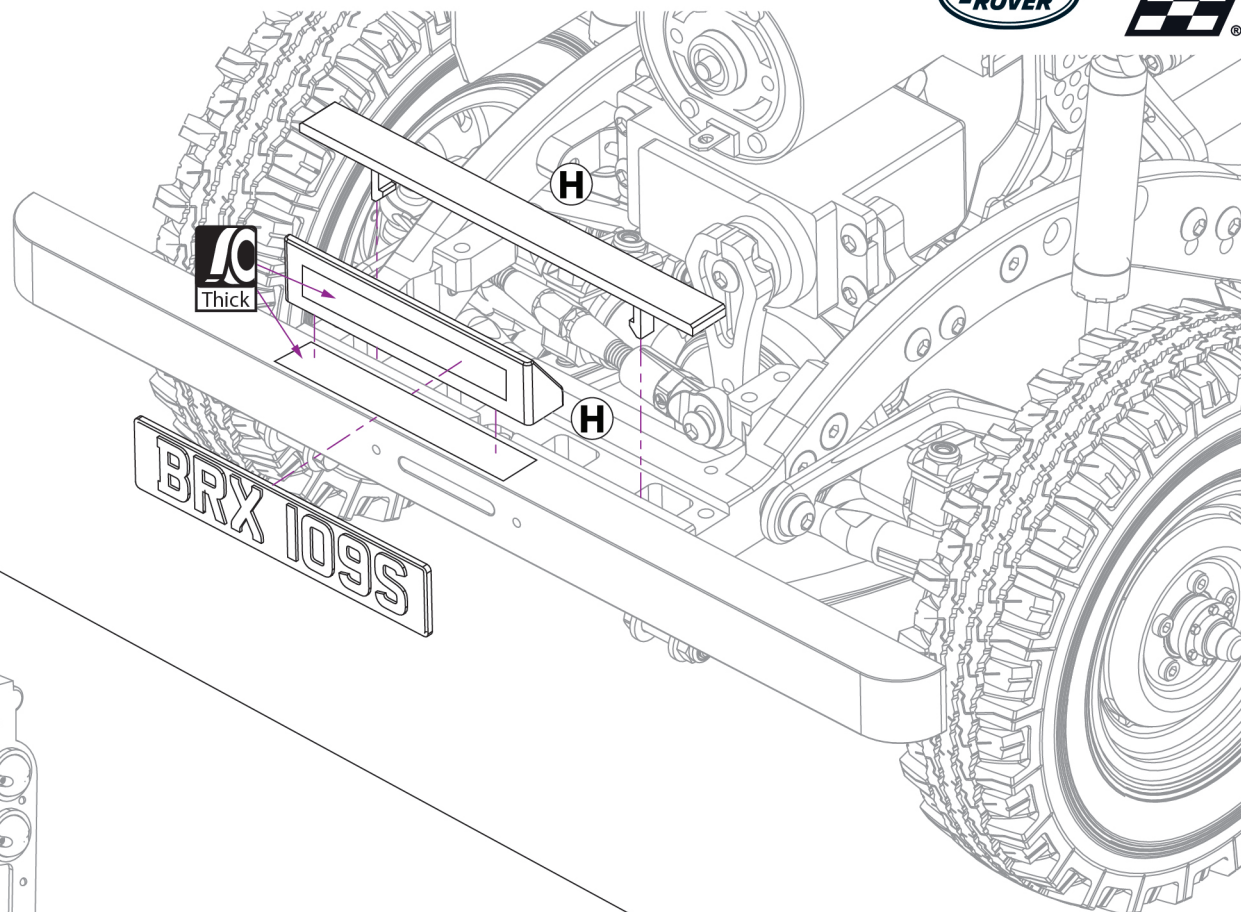
 STCS3x6 x 2

26

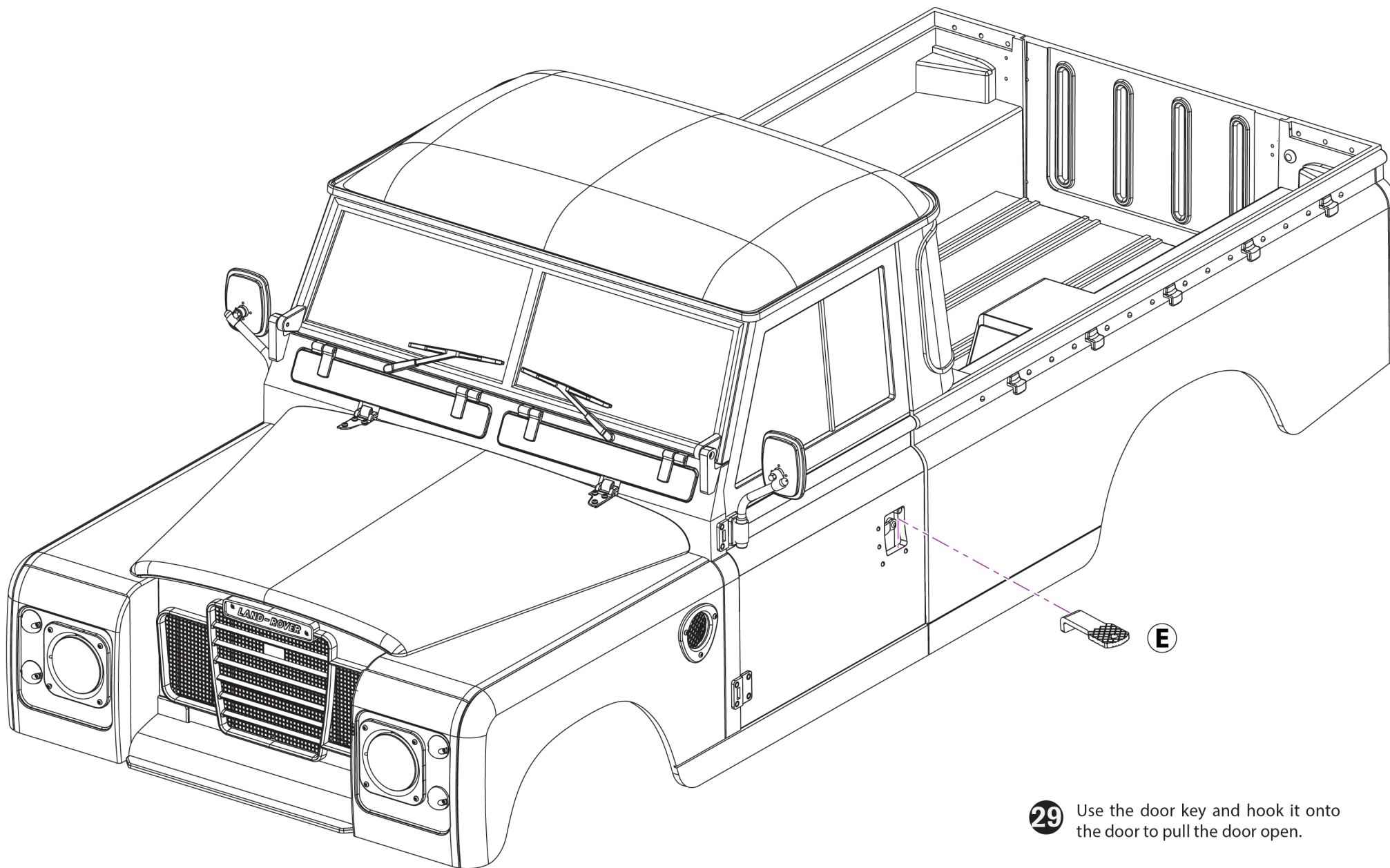
Attach the left and right bonnet hinge to the bonnet with six ST1.2x4 screws and two STCS3x6 screws into the bonnet.



- 27 Snap the blanking plate onto the front chassis crossmember. Use double-sided tape to attach the license plate to the license plate mount, and the mount to the bumper.



- 28 Use double-sided tape to attach the rear license plate onto the body below the license plate light.



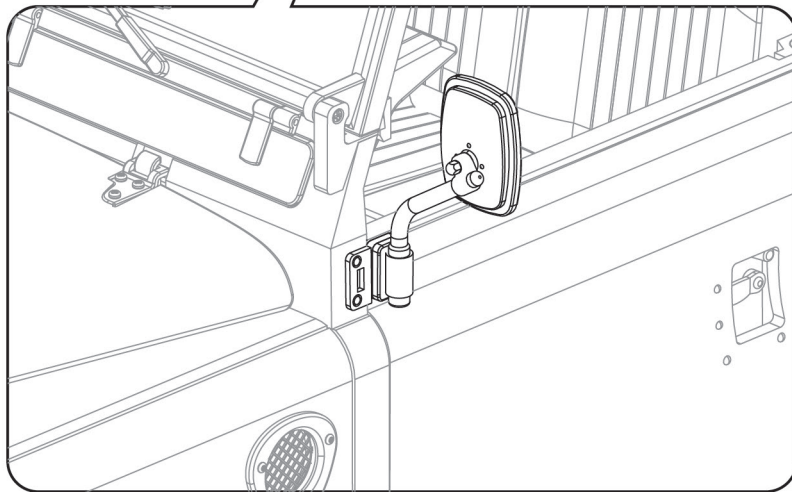
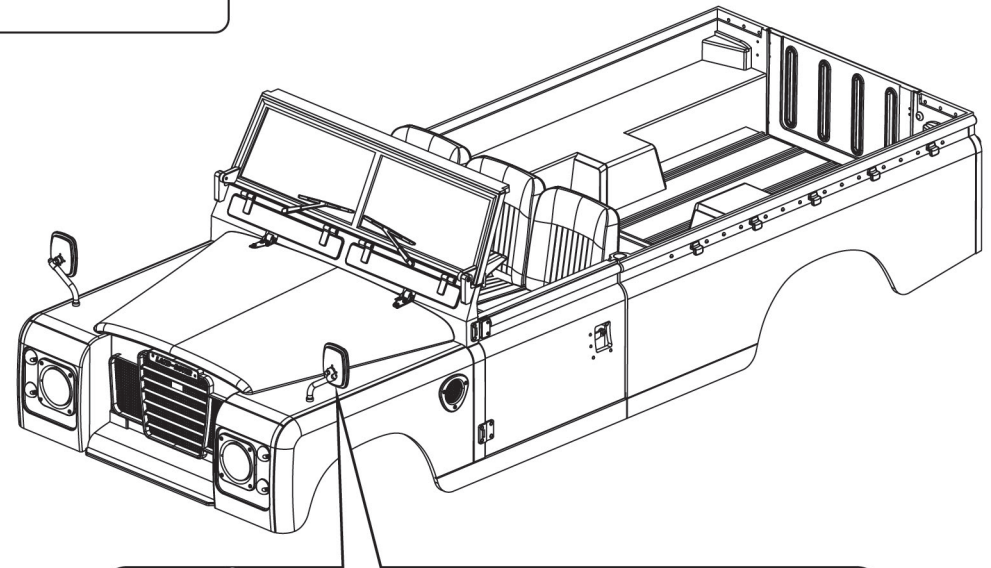
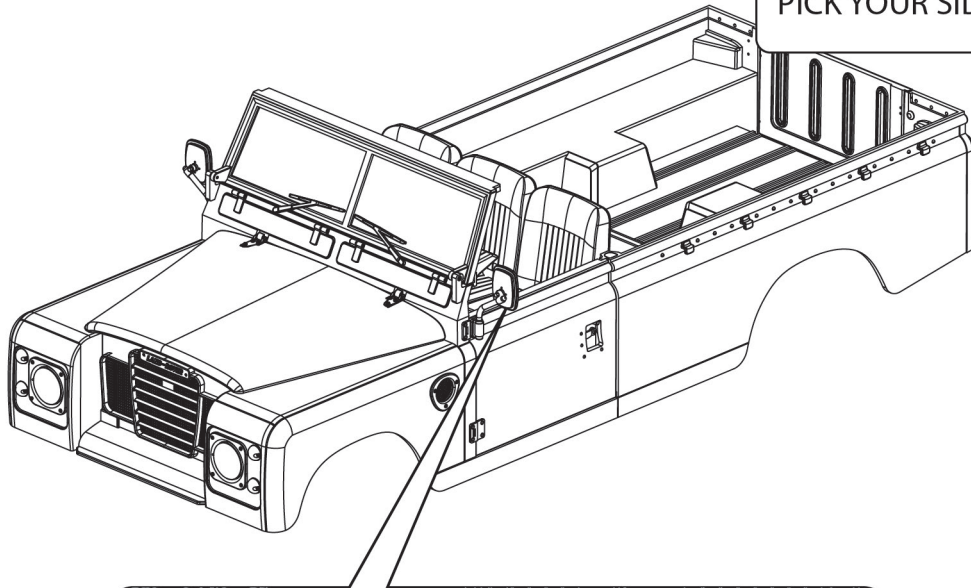
HARD TOP

HARD TOP

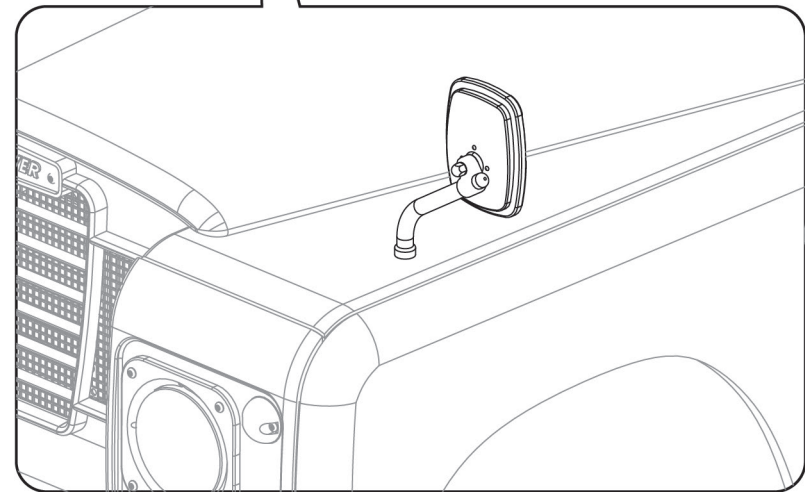
29 Use the door key and hook it onto the door to pull the door open.



PICK YOUR SIDE MIRROR LOCATION



FENDER MIRRORS



DOOR MIRRORS

CONVERTIBLE

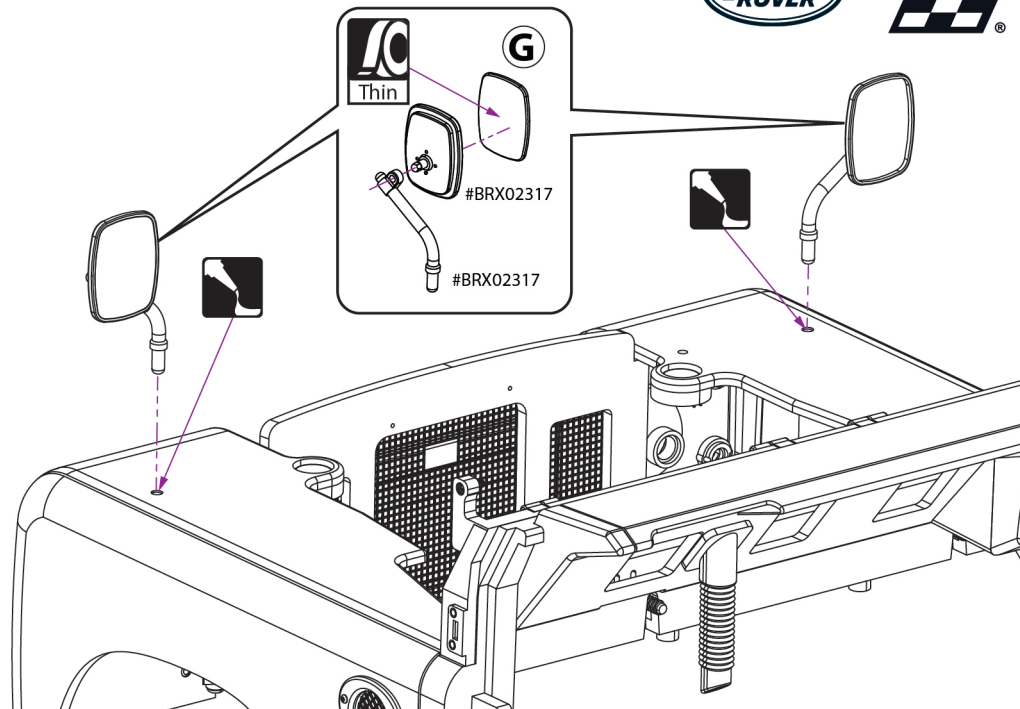
CONVERTIBLE

FENDER MIRRORS



14

Drill two 2.4mm holes into the front main body from underneath as indicated. Use the provided double-sided tape (thin) to stick the mirror plate to the rubber mirror head and push the head into the mirror arm. Push the mirror arm into the holes that are drilled. Then glue from the bottom into position. Repeat on the other side.



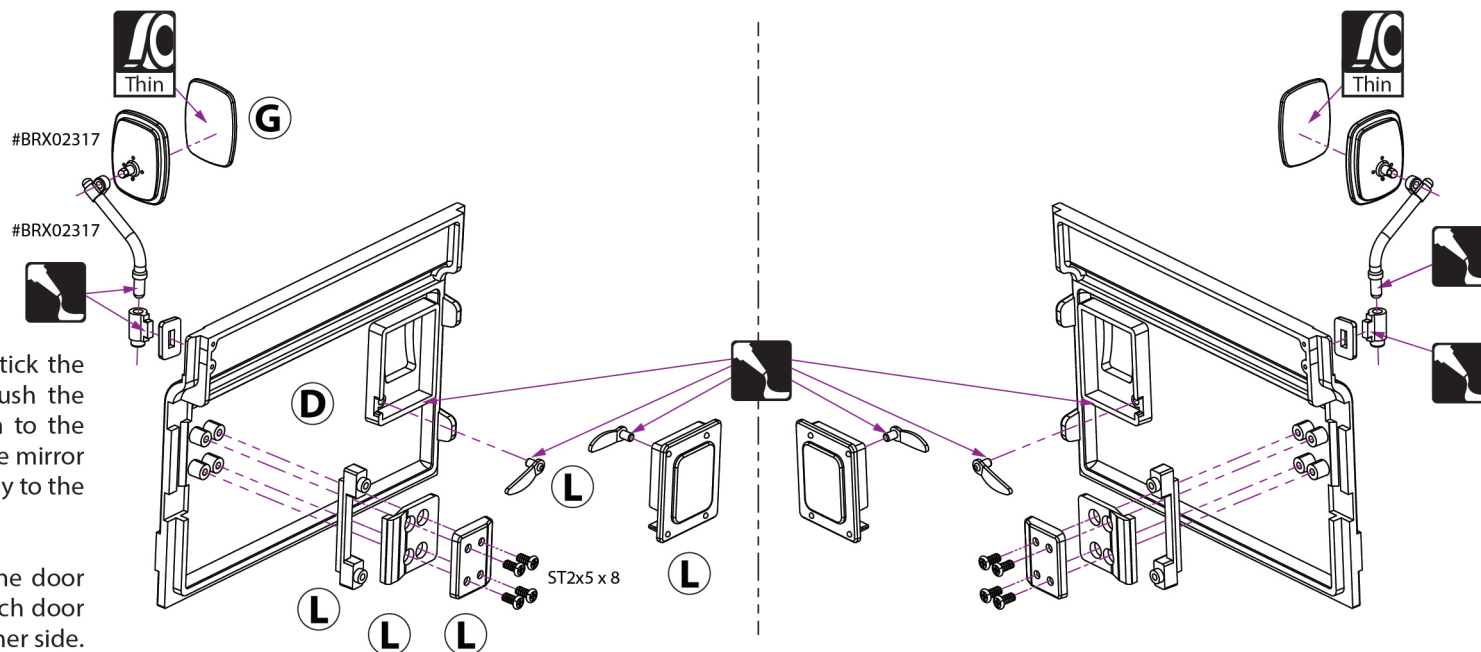
DOOR MIRRORS



14

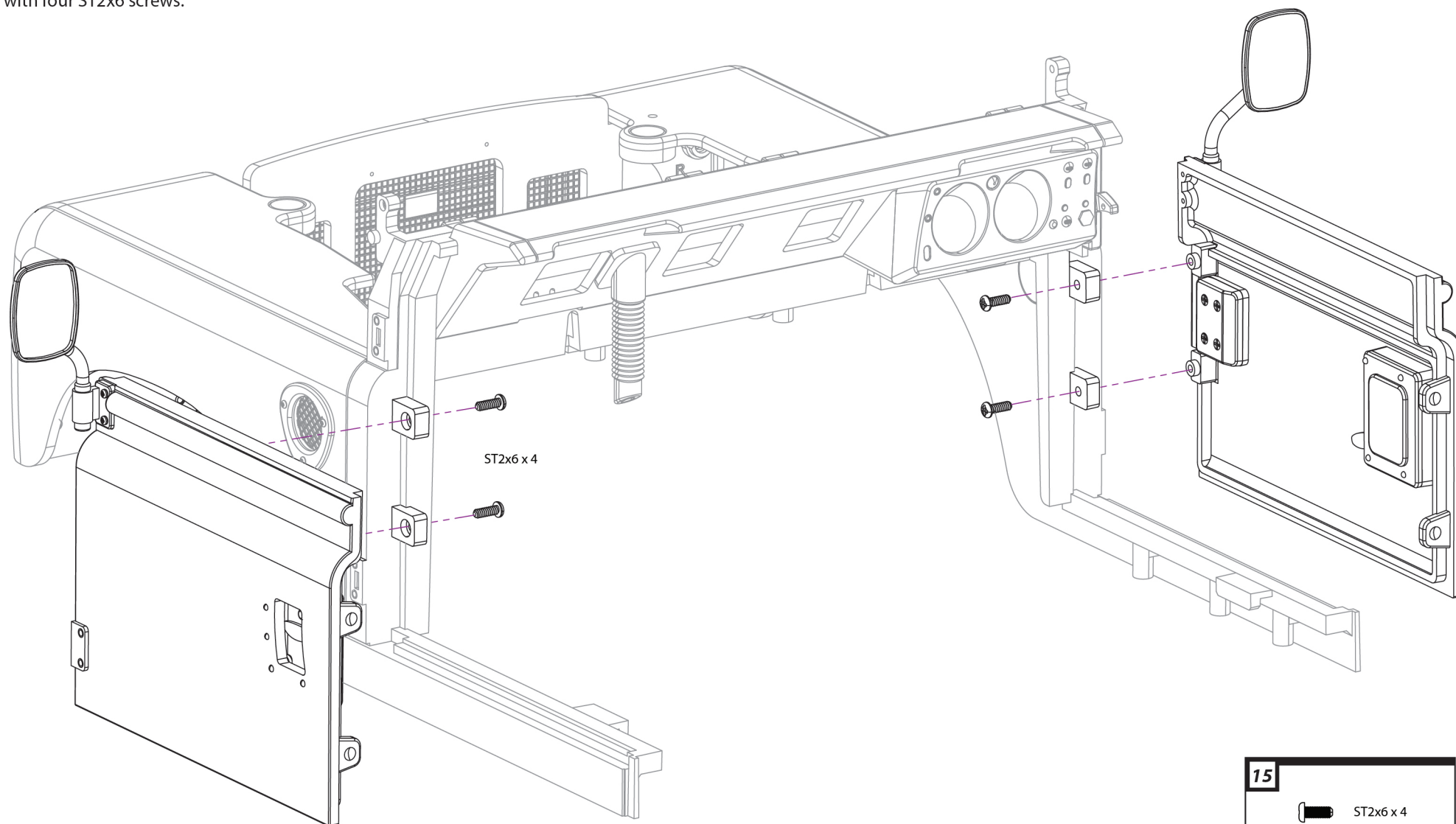
Use the provided double-sided tape (thin) to stick the mirror plate to the rubber mirror head and push the head into the mirror arm. Glue the mirror arm to the mirror arm holder. Next, glue the assembly to the mirror retaining plate, and then glue the whole assembly to the door. Repeat for the other side.

Insert the inner and outer door handles into the door and door lock plate and glue into position. Attach door hinge using four ST2x5 screws. Repeat on the other side.




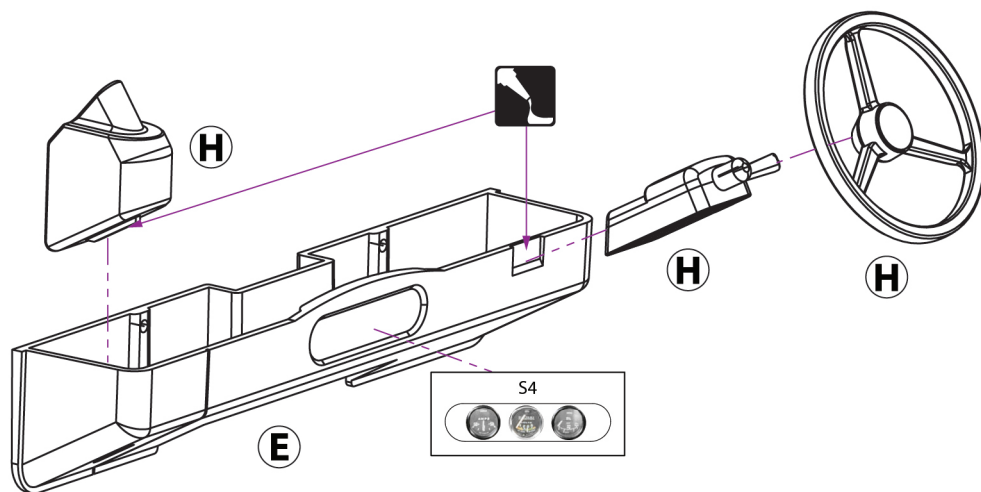
15

Attach the left and right doors to the front main body with four ST2x6 screws.



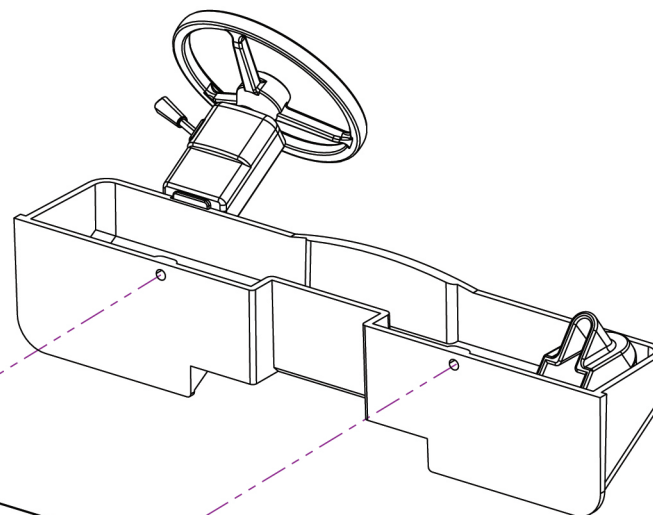
15

 ST2x6 x 4



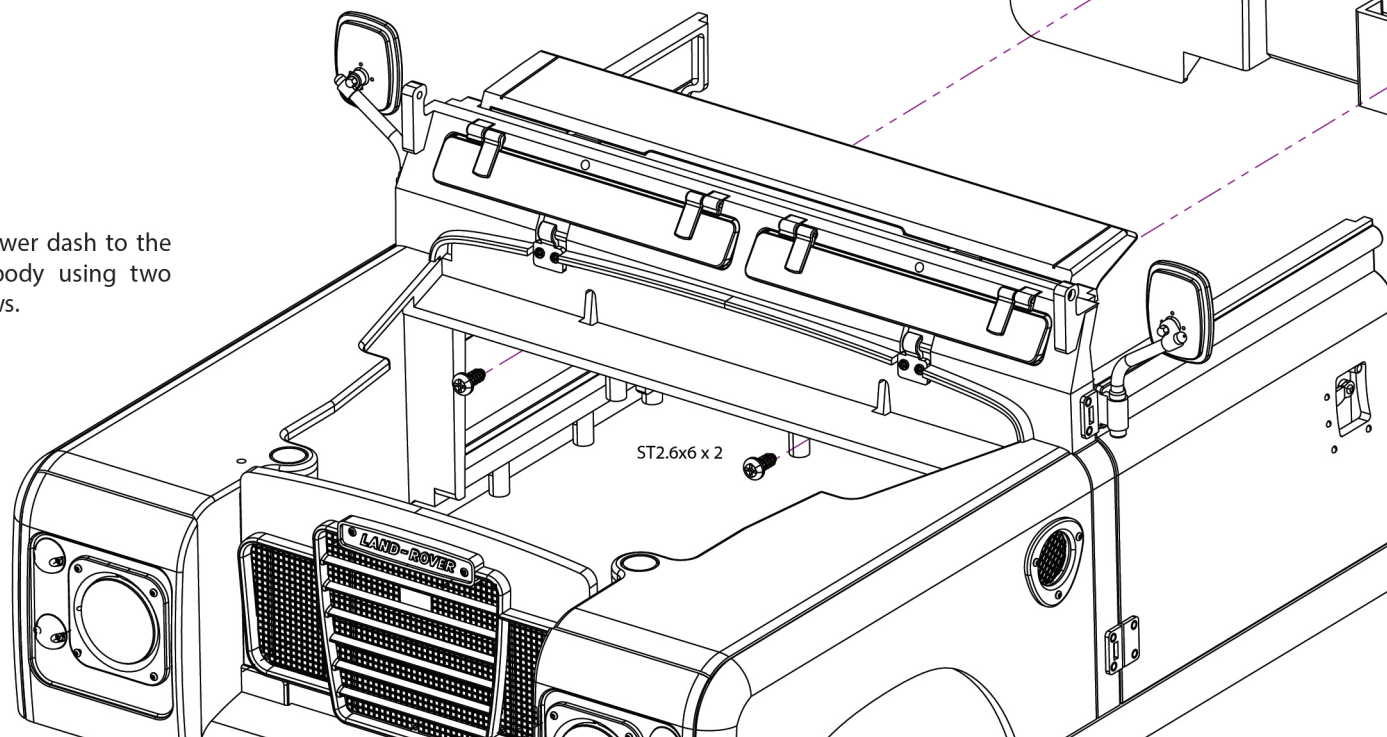
16

Glue the wiper cable cover and the steering column to the lower dash. Push the steering wheel onto the steering column and attach decal sticker.





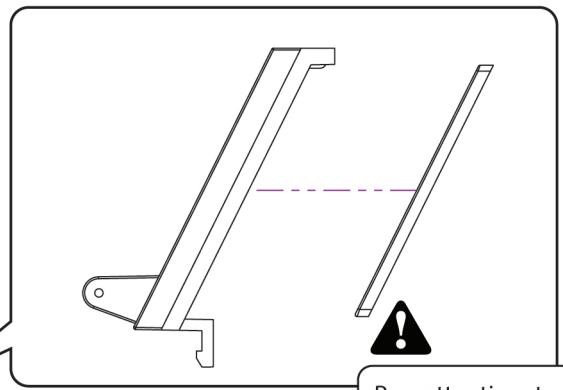
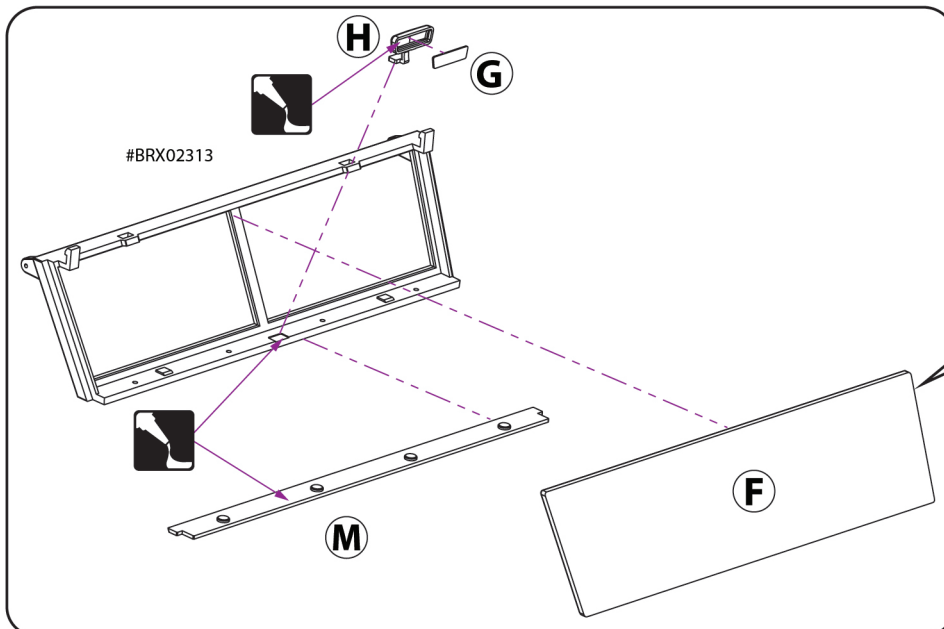
17

Attach the lower dash to the front main body using two ST2.6x6 screws.

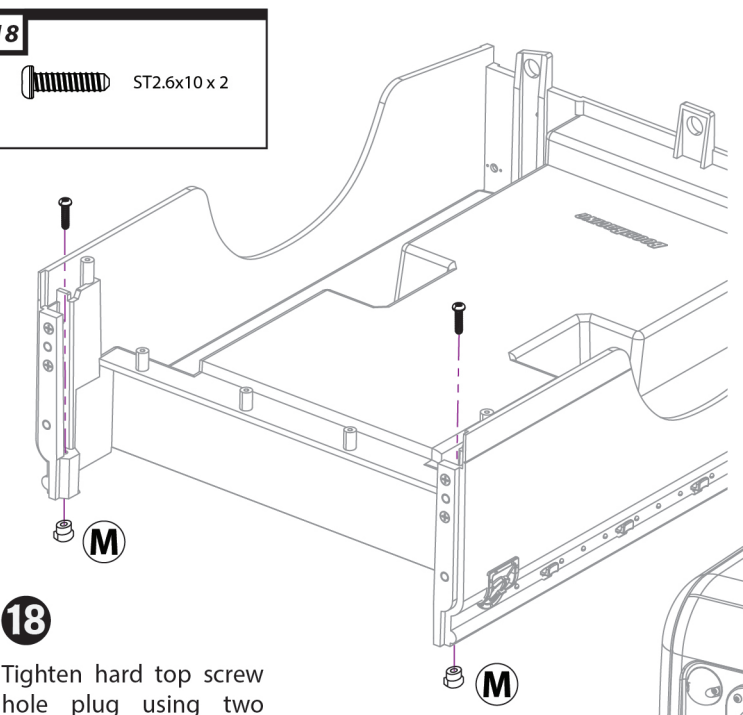
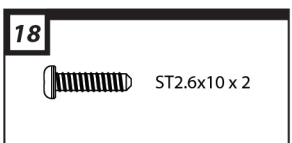


17

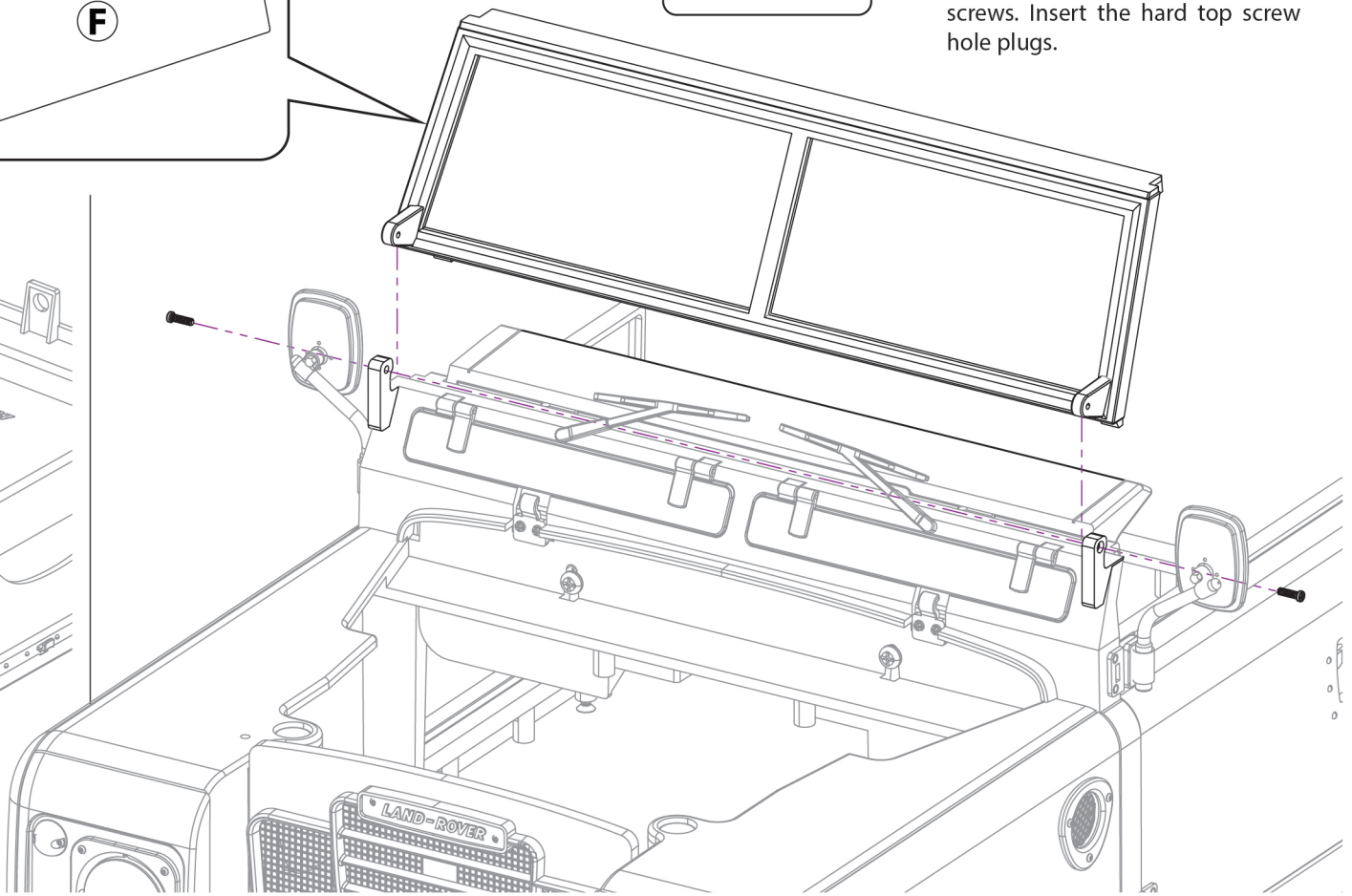
-  ST2.6x6 x 2
-  Decal Sticker

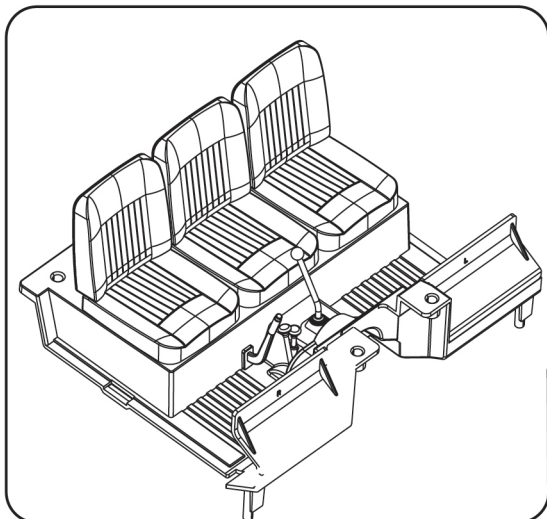


19 Clip the windscreen onto the windscreen frame and glue the interior mirror onto the windscreen frame. Attach the windscreen frame top with glue. Attach the windscreen frame to the vent panel hinge mounts with two ST1.5x5 screws. Insert the hard top screw hole plugs.



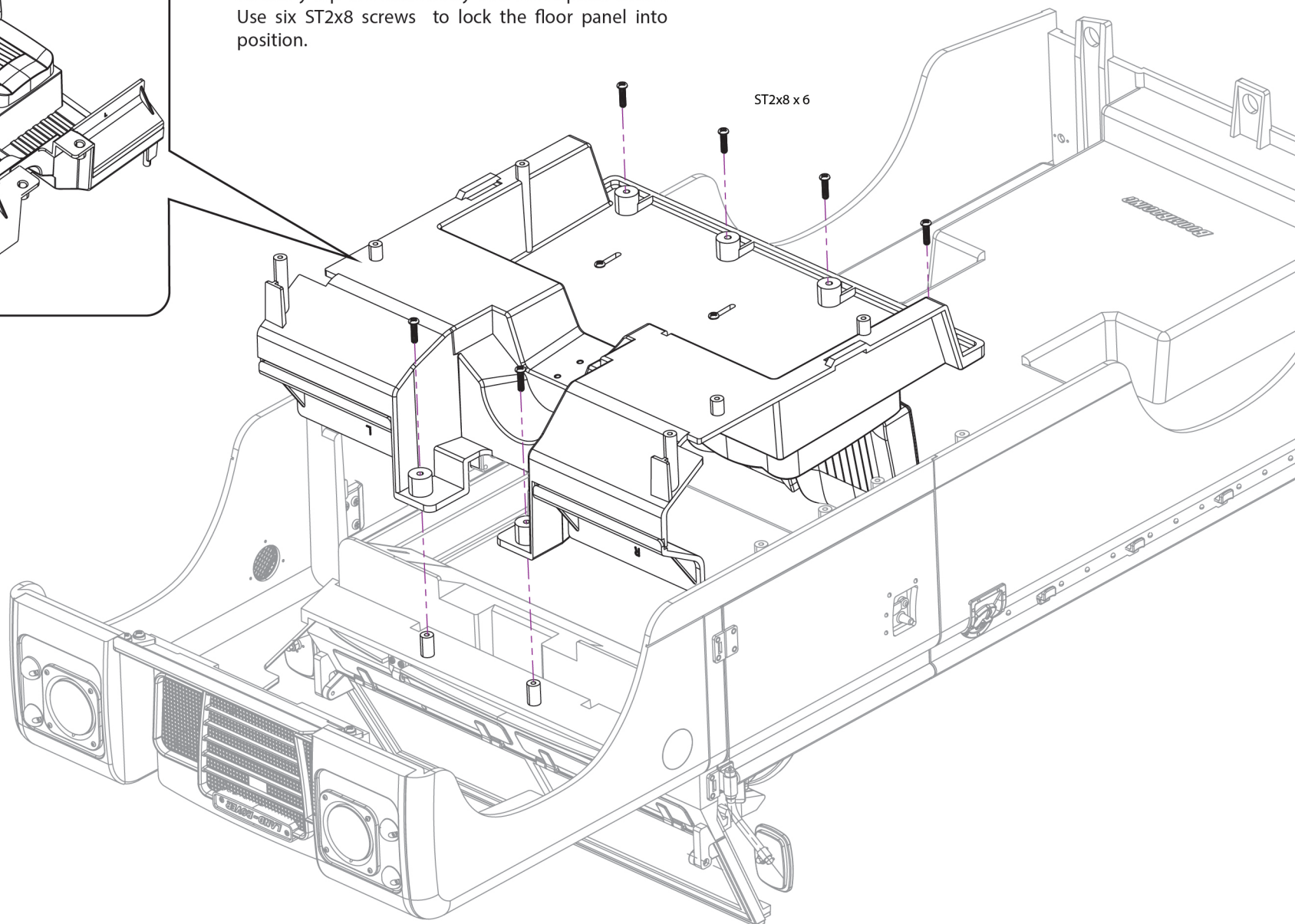
18 Tighten hard top screw hole plug using two ST2.6x10 screws.





20

Carefully flip the main body and bed upside down.
Use six ST2x8 screws to lock the floor panel into position.



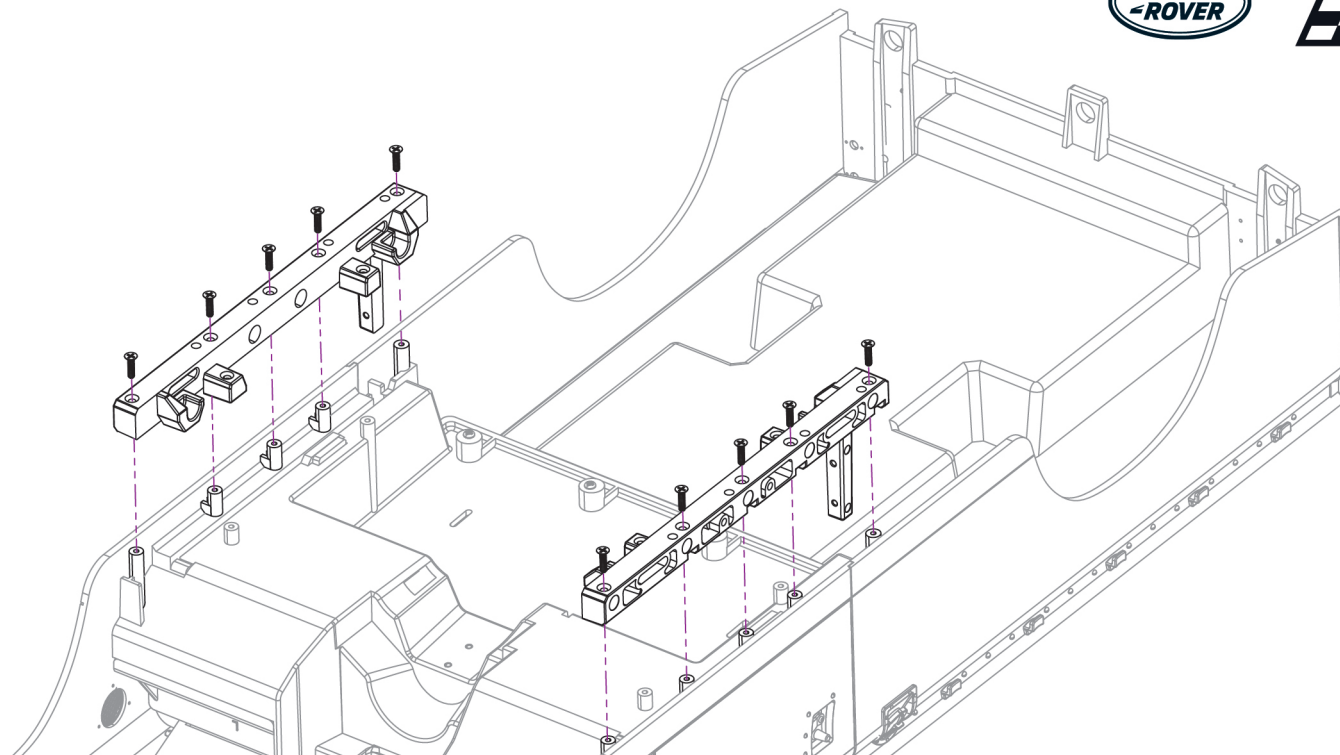
20

 ST2x8 x 6

21

 STCS2x8 x 10

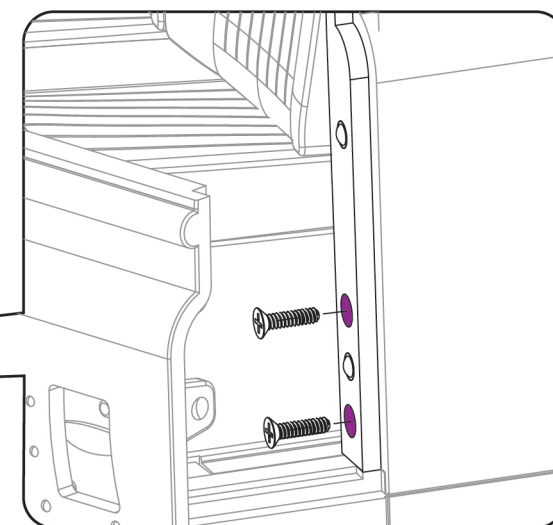
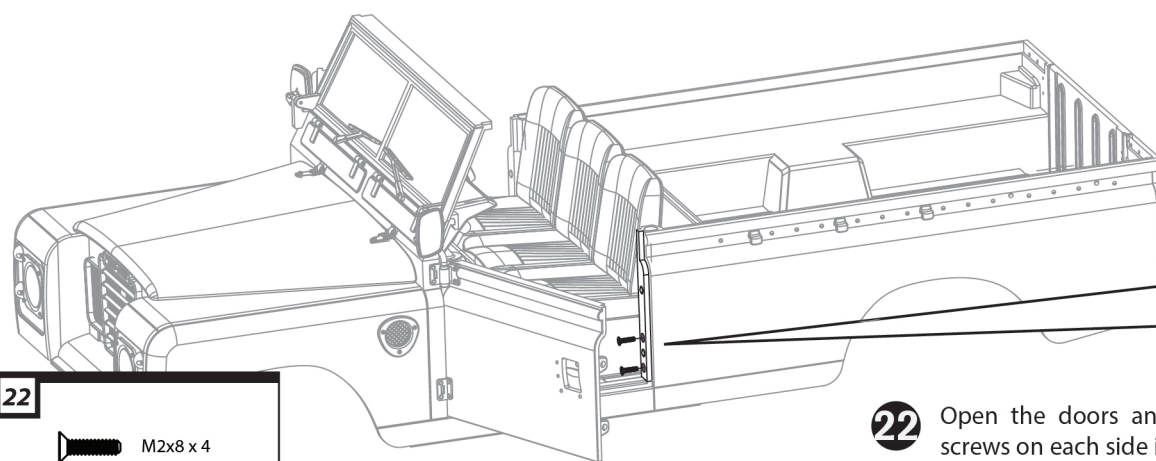
- 21 Attach the brace to the body using ten STCS2x8 screws to make sure everything is locked into position.



22

 M2x8 x 4

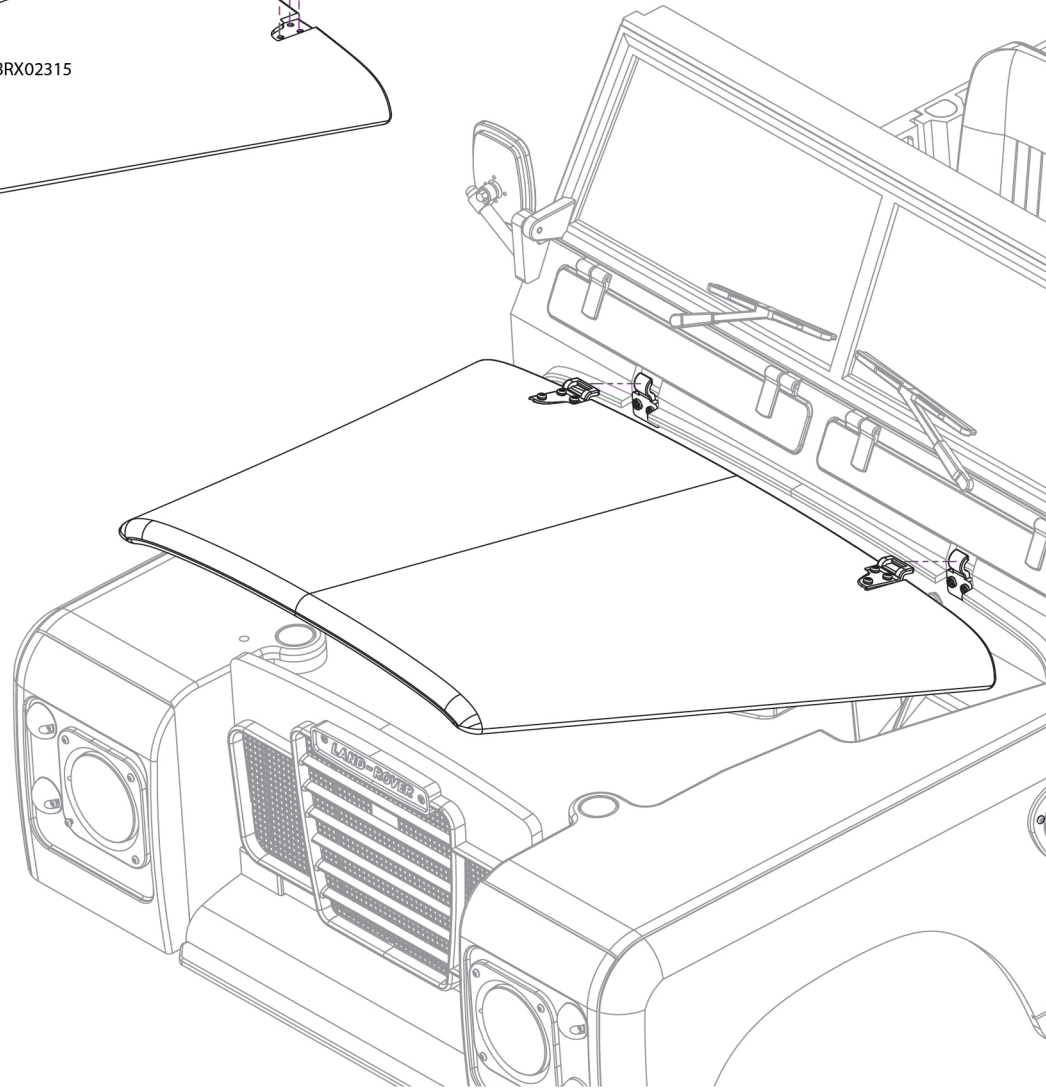
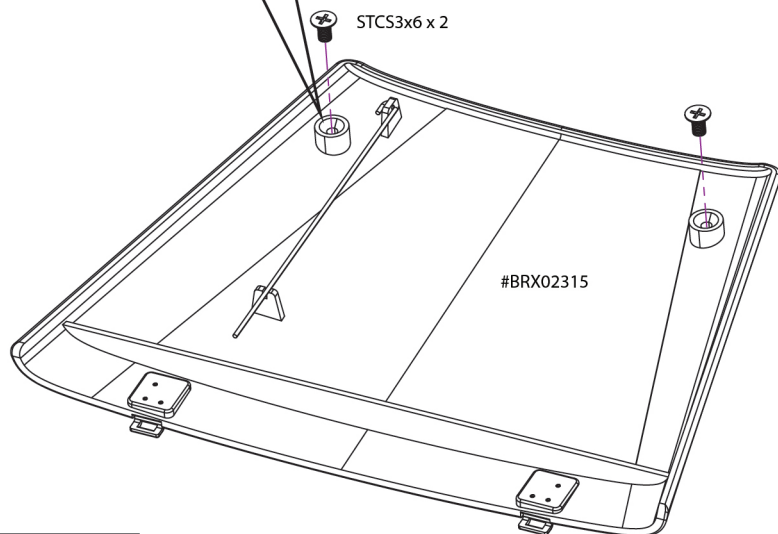
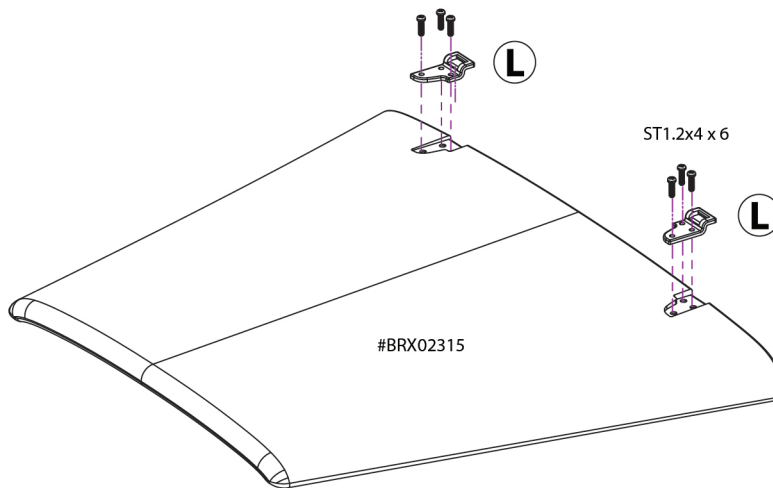
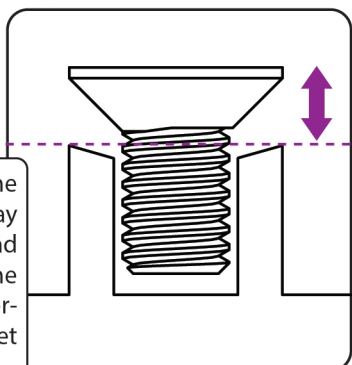
- 22 Open the doors and fasten two M2x8CS screws on each side into the body brace.





Use the two STCS3x6 screws to adjust the height of the bonnet and how tight they latch to the magnet.



Do not tighten the screws all the way down the head must not pass the dotted line, otherwise the bonnet can be damaged.

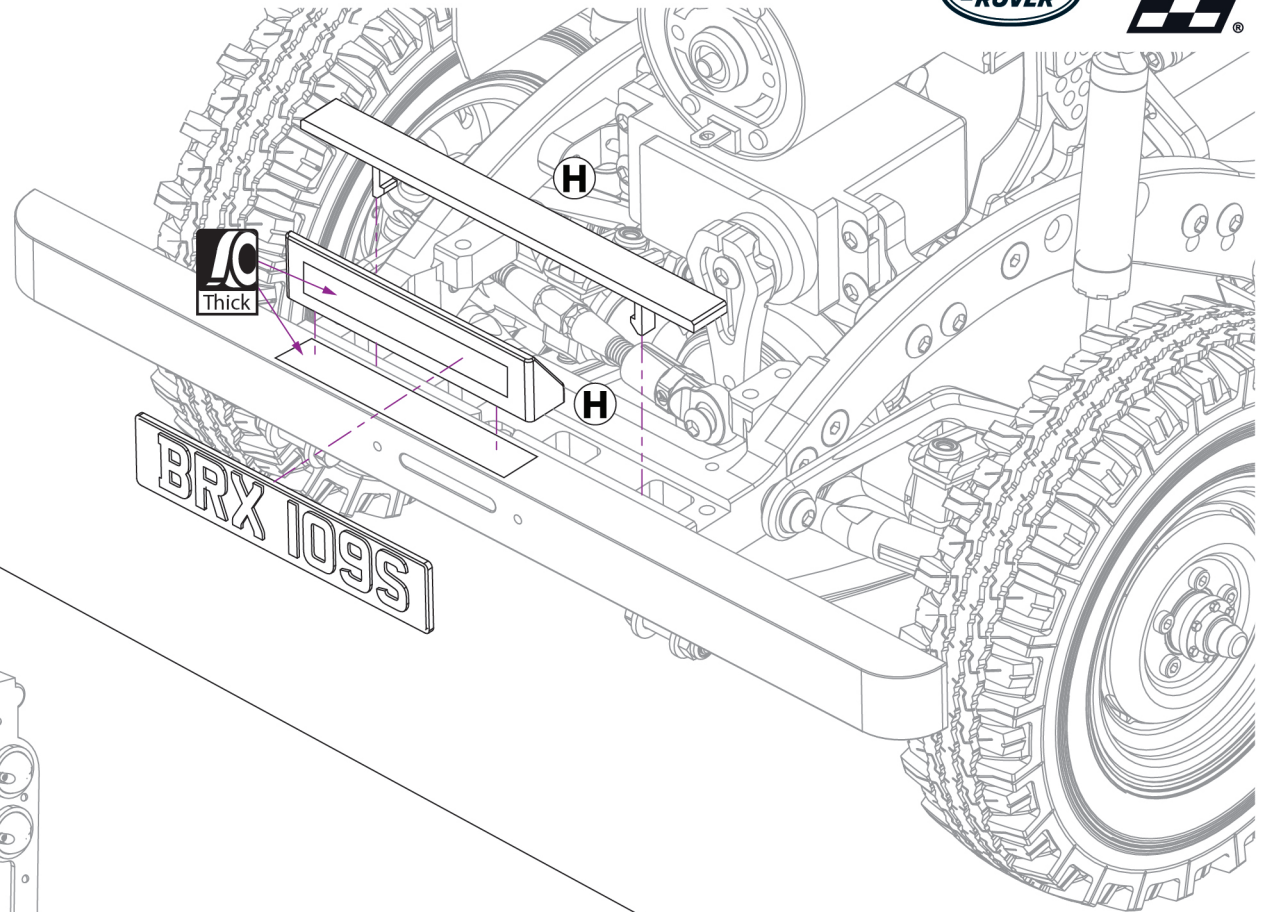
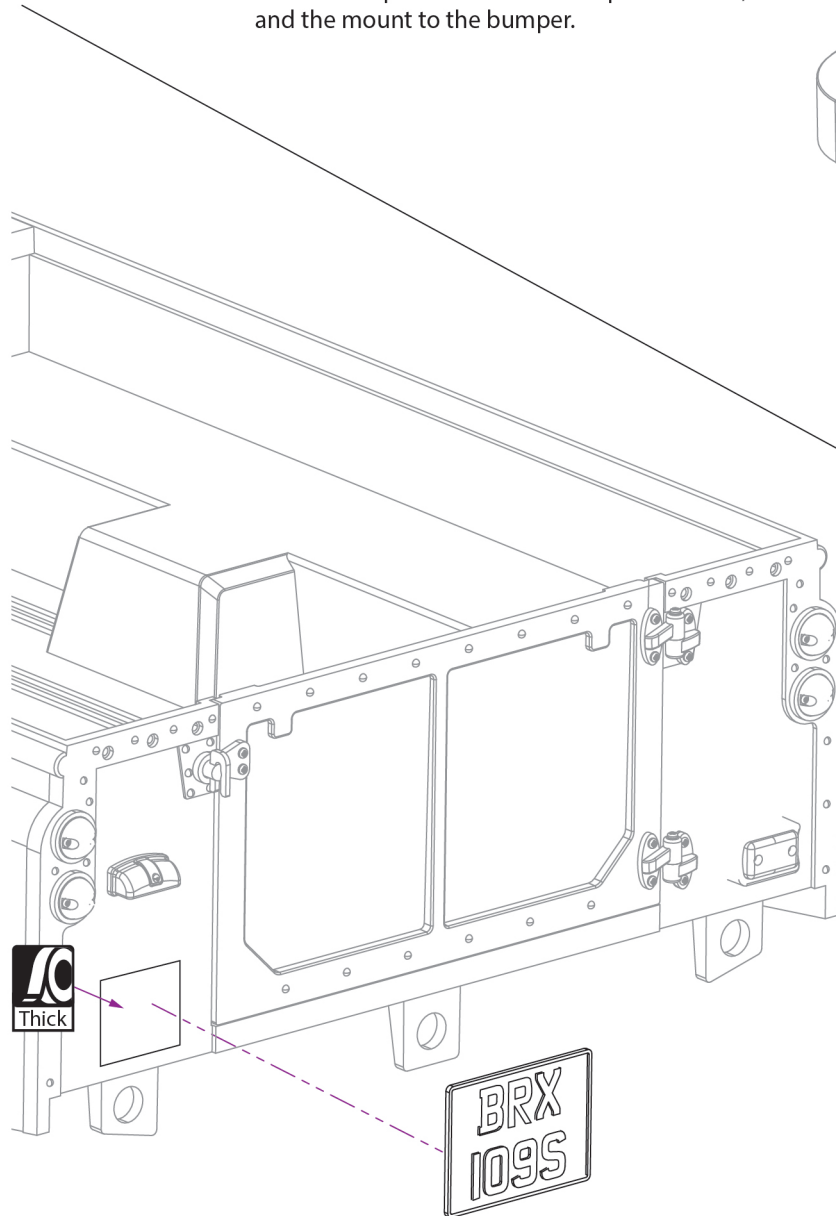


- 23**
-  ST1.2x4 x 6
 -  STCS3x6 x 2

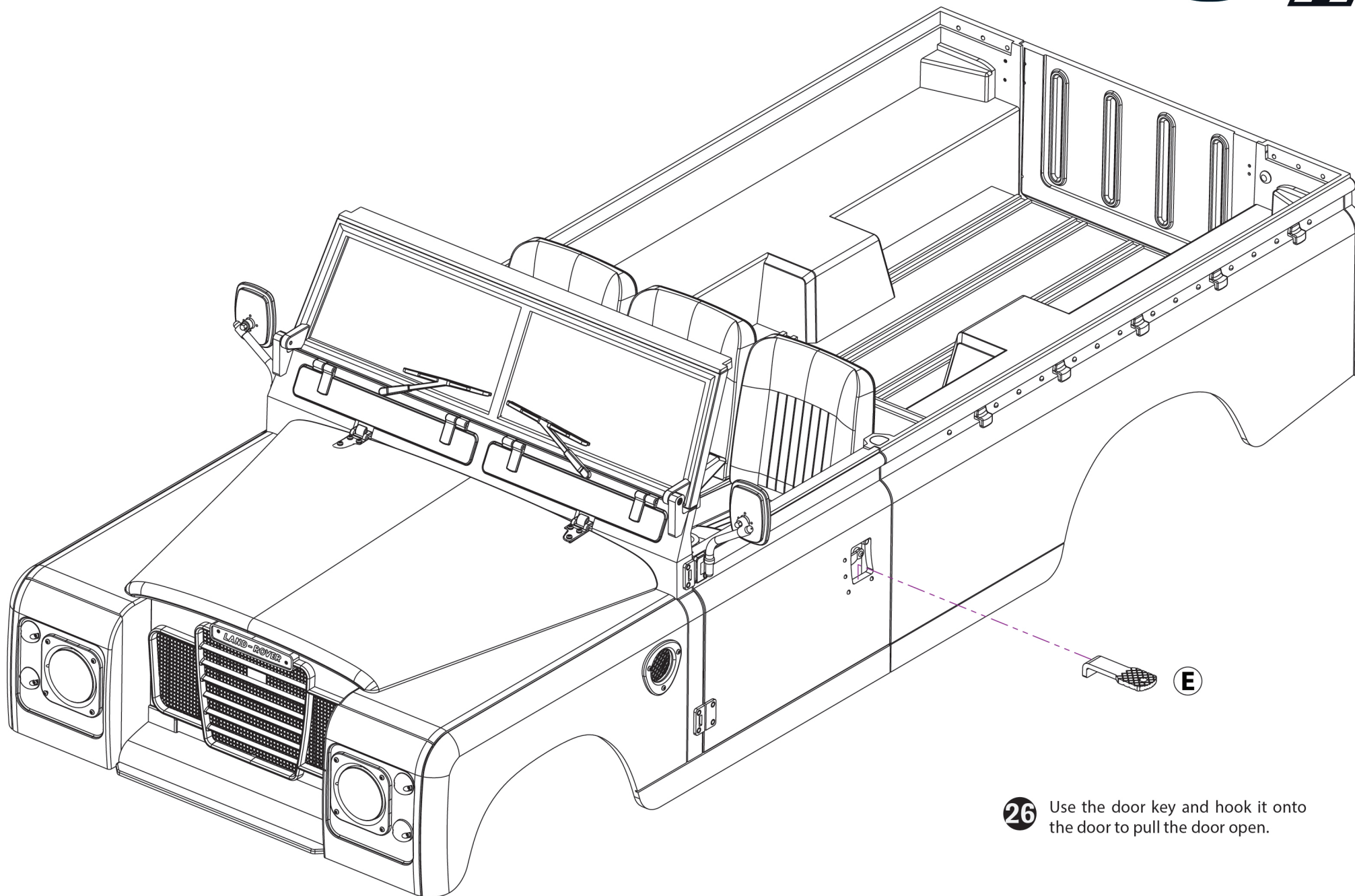
23

Attach the left and right bonnet hinge to the bonnet with six ST1.2x4 screws and two STCS3x6 screws into the bonnet.

- 24** Snap the blanking plate onto the front chassis crossmember. Use double-sided tape to attach the license plate to the license plate mount, and the mount to the bumper.



- 25** Use double-sided tape to attach the rear license plate onto the body below the license plate light.



26 Use the door key and hook it onto the door to pull the door open.



 @BOOM_RACING

 BOOMRACINGRC

 SALES@BOOMRACING.COM

WWW.BOOMRACING.COM

BOOMRACING  [®]
Your Radio Control Car Specialist



Land Rover and the Land Rover Logo are trademarks owned and licensed by Jaguar Land Rover Limited.