

SCALE **4WD** Series

**BOLT-ON KIT**  
PARTIAL ASSEMBLY REQUIRED

**BOOMRACING**  
Your Radio Control Car Specialist

# BRX02

**1/10 4WD RADIO CONTROL CHASSIS KIT FOR D110**

**LEAF VERSION**



[WWW.BOOMRACINGRC.COM](http://WWW.BOOMRACINGRC.COM)

PRODUCT CODE: BR8005 INSTRUCTION MANUAL

# THE SCALE PERFORMANCE CONTINUES

Congratulations on your new ownership of this truly extraordinary chassis – the Boom Racing BRX02. As a start, we would like to introduce you to your customized license plates and vehicle VIN number system to identify your vehicle, which are both uniquely yours. All BRX02 chassis kits are numbered and all Boom Racing vehicles with Vehicle Identification Number (VIN) are unique.

As the original owner, you are eligible to receive a special promotion at each of the events being attended by Boom Racing. Once your vehicle is registered online (<https://www.boomracingrc.com/BRX02/register>), the chassis is officially registered to you and no one else can claim it. This will help with any future updates and can be used to notify you of new options in the future. We believe that this will encourage enthusiasm and interaction between owners and we hope that it will boost attendance at events to push the hobby industry further down the road.

Included with your BRX02 chassis kit is a set of original license plates, commonly used in the UK during the D110 production period. The plates consist of two groups of alphanumeric characters. From left to right, the characters consist of:

- The first two characters signify the BRX02 chassis
- The next letter identifies the chassis type - **S** for Shocks / **L** for Leaf
- The fourth character identifies the wheelbase or vehicle type – **1** for 110 / **9** for 90
- A three or four-letter sequence starting from 001, which uniquely distinguishes each of the vehicles displaying the same initial four-character chassis type and wheelbase sequence.



Scan to register your BRX02



A Bolt-On Kit means parts of the chassis are pre-assembled and require minor assembly for completion. The factory assembled parts offer convenience for builders eager to get started. The BRX02 kit includes factory pre-built axles, transmission, transfer case and shocks. Shocks require oil to be filled (included).



**⚠ NOT RECOMMENDED FOR CHILDREN UNDER 14 ⚠**

**THIS CHASSIS KIT IS NOT A TOY. FIRST-TIME BUILDER SHOULD SEEK ADVICE FROM PEOPLE HAVING BUILDING EXPERIENCE IN ORDER TO ASSEMBLE THE MODEL CORRECTLY. ASSEMBLE THIS KIT ONLY IN PLACES OUT OF CHILDREN'S REACH.**



The Scale 4WD Series is Boom Racing's line of scale based 4WD R/C products geared towards realistic appearance.



**BEFORE YOU PROCEED**

Congratulations! Owning the BRX02 is a truly special experience.

Carefully read and follow all instructions to prevent serious damage to your model. Failure to follow these instructions will be considered abuse and/or neglect.

Study the instructions thoroughly before assembly.

There are many small screws, nuts and similar parts. Assemble them carefully referring to the drawings. Follow the steps exactly as shown to build the vehicle correctly without issues.

If you decide to return the BRX02, do not begin assembly. Your hobby dealer will not accept a model for return or exchange after you have started assembly.

Boom Racing offers Spare Parts & Upgrade Options for improved performance. Visit our website (<https://www.boomracingrc.com>) or your local Boom Racing dealer for assistance. Please note that specifications, availability and price are subject to change without notice.

**SAFETY PRECAUTIONS**

All of us here at Boom Racing want you to enjoy your new vehicle. Operate your BRX02 sensibly and with care, and it will be exciting, safe and fun for you and those around you. Failure to operate your BRX02 in a safe and responsible manner may cause damage and injury and void your warranty.

Follow these outlined rules for safe radio control operation

- Read carefully and fully understand the instructions before assembly.
- ***This model is not intended for use by children (minors) under 14 years of age without the supervision of a responsible and knowledgeable adult who should also read the instructions.***
- When assembling this kit, extra care should be taken to avoid personal injury. Keep out of reach of small children.
- Avoid running the vehicle in crowded areas and near small children.
- BRX02 can be very fast and quiet. It could cause injury to those unaware of its presence.

Inspect Your BRX02 Before and After Operation

- Make sure that all screws and nuts are properly tightened.
- Use thread lock on screws for any metal on metal surface.
- Adjust steering servo and trim so that the BRX02 runs straight with transmitter in neutral.
- Disconnect/remove all batteries after operation.
- Replace any batteries that have been dented, are bloated, or have frayed wires, short circuits can cause fire.
- Completely remove sand, mud, dirt etc after use to prolong the life of the BRX02.
- Maintain bearings by cleaning or replacing them regularly.

**WARRANTY****Boom Racing's One (1) Year Factory Limited Warranty – A Peace Of Mind Right From The Start****WHO IS COVERED**

This warranty is extended to the original end-user that registers it online (<https://www.boomracingrc.com/BRX02/register>) only, whether purchased or received as a gift.

**FACTORY LIMITED WARRANTY****What Is Covered and For How Long**

Boom Racing warrants that all new products are free from defects in manufacturing, materials and workmanship for a period of one (1) year from date of retail purchase. The receipt or invoice at the time of purchase is your proof of purchase and is required for Boom Racing to honor any warranty.

**What Is Not Covered**

It does not cover defects or malfunction caused by user error of assembly, damages due to normal wear and tear, failure to follow operating instructions, misuse or abuse, users' failure to perform routine maintenance, or use with products with which is not intended to be used. It also does not cover damages caused by unauthorized alteration, modification or repair. It does not cover cosmetic or incidental damages. Boom Racing does not warrant or provide service or support for any third party products.

The JX mini servo warranty will be void if it is disassembled.

**What We Will Do**

We will, at our discretion, repair or replace any product free of charge that is incorrectly made or proves to be defective in material or workmanship during the warranty period. If your product is no longer being manufactured or is out of stock, we may replace your product with a comparable or improved product at our option.

**What We Will Not Do**

We will not pay for shipping, insurance or transportation charges from you to us, or any import fees, duties and taxes.

**What To Do To Obtain Warranty Service**

To obtain warranty service for products purchased from a third-party, retail or directly from Boom Racing you must return the product with proof of purchase using the following procedures:

1. Contact Boom Racing Customer Support for specific warranty instructions via our website, by email, telephone, or our social media accounts:

- Online @: <https://www.boomracingrc.com/contact-us>
- Email: [sales@boomracingrc.com](mailto:sales@boomracingrc.com)
- Telephone: 1-209-676-8880
- Facebook Messenger: ([www.fb.com/boomracingrc](http://www.fb.com/boomracingrc)) or Instagram: DM @boom\_racing

You may be asked to complete a warranty service request form. A copy of your purchase receipt may be required.

2. Our Customer Support may ask you to return and ship the defective product back to us. Label and ship the product, freight prepaid, to the address provided by Boom Racing; and

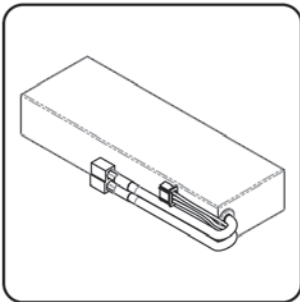
3. Place any necessary return authorization number prominently on the outside of the return packaging. Return packaging not bearing a return authorization number where required may be refused.

Boom Racing reserves the right to final decision, change or modify this warranty without notice.

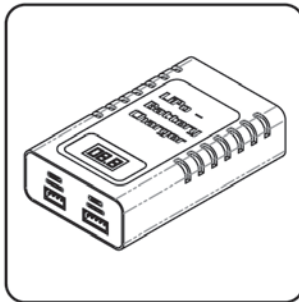
## Equipment Required



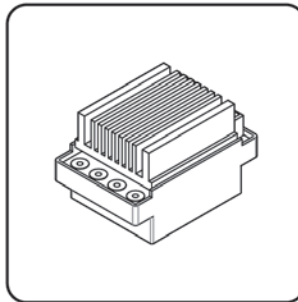
3CH Radio



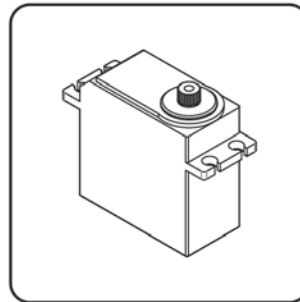
Battery



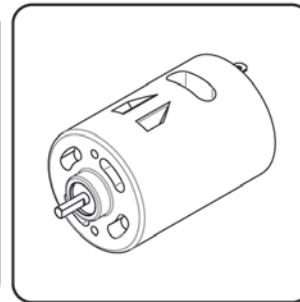
Charger



ESC

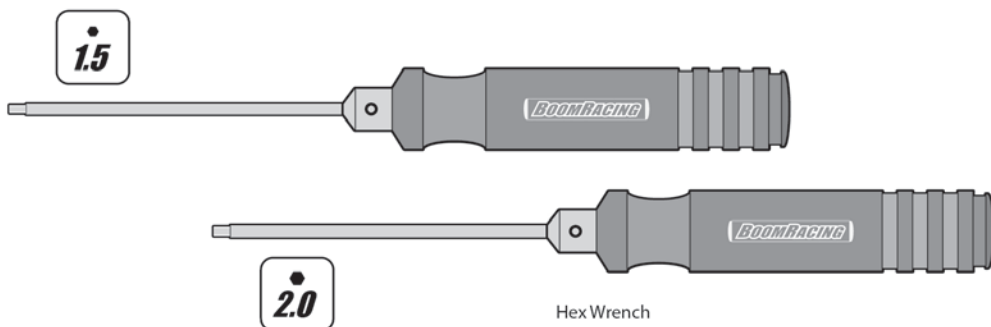


Steering Servo

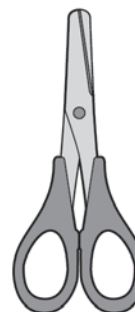


540/550 Motor

## Tools Recommended



Hex Wrench



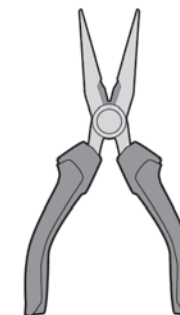
Scissors



Hobby Knife



Slot Screwdriver



Long Nose Pliers



### Thread Lock

Apply thread lock to places shown by this mark.  
Apply thread lock first, then assemble.  
**(Do Not Use Red Loctite)**



### Black Graphite Grease

Lubricate all gears.  
Apply grease to the places shown by this mark.  
Apply grease first, then assemble.



### Silicone Grease

Lubricate all moving parts including joints and bearings.  
Apply grease to the places shown by this mark.  
Apply grease first, then assemble.



### Shock Oil

Apply shock oil to the places shown by this mark.



Apply Double Side Tape



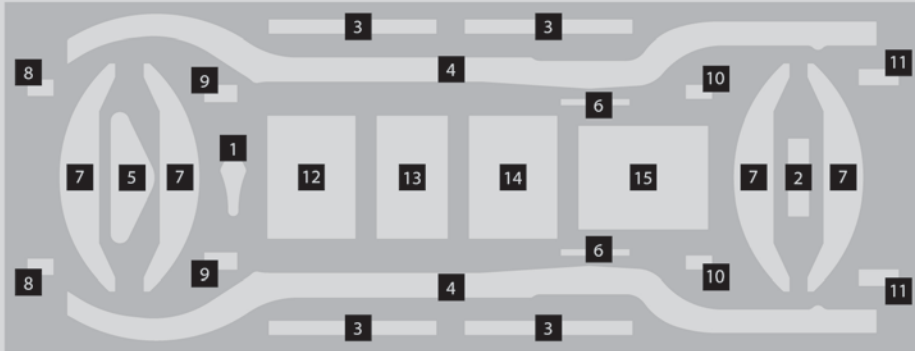
Item not included.



Pay attention to note on page.



**PART LOCATION MAP (TOP)**



**1**

Servo Horn B - 25T x 1  
#BRLC7055

**2**

Shock End Pivot x 8  
#BRW750310

Joint Retainer x 8  
#BRSHJR

**3**

KUDU™ 90mm Scale Shock Absorber x 4  
#BRSH0090

**4**

Chassis Rail - Left Side x 1

Chassis Rail - Right Side x 1

Front ◀

▶ Rear

#BRX020011

**5**

Front Anti-Wrap Bar x 2  
#BRX020027

Brass Washer x 4  
#BRX020030

**6**

Stainless Steel M4x40 Anti-Wrap Bar x 2  
#BRLC7064C

**7**

Master Leaf (M)

Graduated Leaf (A)

Graduated Leaf (B)

Graduated Leaf (C)

M3x20 RS

M3 Nut - Nyloc

Leaf Spring Channel

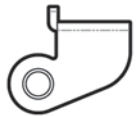
#BRLC7064A

8

#BRX020064B

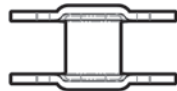


Front Leaf Retainer - Left x 1



Front Leaf Retainer - Right x 1

9



Front Shackle x 2  
#BRX020064A

10

#BRLC7064F



Rear Leaf Retainer - Outside x 2



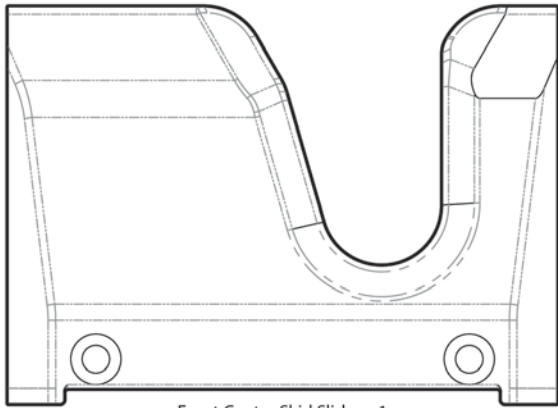
Rear Leaf Retainer - Inside x 2

11



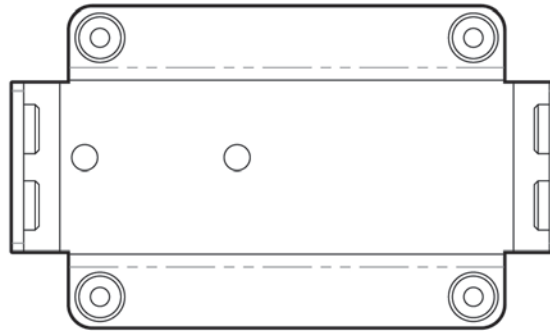
Rear Shackle x 2  
#BRLC7064D

12



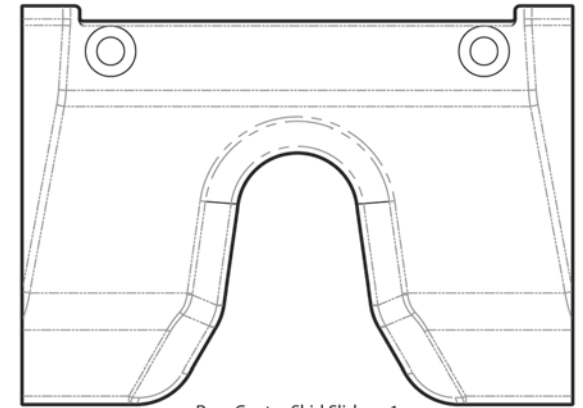
Front Center Skid Slider x 1  
#BRX020072F

13



Center Skid Plate x 1  
#BRX020020LF

14



Rear Center Skid Slider x 1  
#BRX020072R

13



KUDU™ Nylon Rod End (Straight 18.5mm) x 6  
#BRW750306A



KUDU™ Nylon Rod End (Straight 21.8mm) x 2  
#BRW750309B



BADASS™ Stainless Steel Pivot Ball x 8  
#BRW750300



D2 Ball & Rod End x 1  
#BRQ90351

15 **B LEAFS / SHOCKS**



M3x24 RS x 3  
#BRASBH3024



M3x16 RS x 8  
#BRASBH3016



M3x12 RS x 1  
#BRASBH3012



M3x10 RS x 1  
#BRASBH3010



M4x16 SS x 2  
#BRASST4016



3x6x3 Tapper Spacer x 7  
#BRLC7041



D4x7x1 Nylon Spacer x 2  
#BRASSPD471/N



D6x1.5 O-Ring x 2  
#BRSORD6-15



M3 Nut - Nyloc x 1  
#BRASNUTM3

15 **C LEAF SPRINGS**



M3x22 RS x 2  
#BRASBH3022



M3x12 RS x 4  
#BRASBH3012



M3 Nut - Nyloc x 20  
#BRASNUTM3



M2.5 Nut x 2  
#BRASNUTM25



M3x8 RS x 2  
#BRASBH3008



M2.5x14 RS x 2  
#BRASBH2514



D6x1.5 O-Ring x 8  
#BRSORD6-15



3x6x3 Tapper Spacer x 2  
#BRLC7041



M3x14 Bolt x 12  
#BRLC7064E



D4x7x1 Nylon Spacer x 4  
#BRASSPD471/N

15 **A CHASSIS**



M3x14 RS x 4  
#BRASBH3014



M3x12 RS x 6  
#BRASBH3012



M3x10 RS x 11  
#BRASBH3010



M3x8 RS x 8  
#BRASBH3008



M2.5x4 RS x 8  
#BRASBH2504



M3x10 CSS x 24  
#BRASFH3010



M3x8 CSS x 2  
#BRASFH3008



M3x6 RS x 4  
#BRASFH3006



M2x4 SC x 4  
#BRASCH2004



M3x6 SS x 2  
#BRASST3006



M3x3 SS x 4  
#BRASST3003



M3 Nut - Nyloc x 2  
#BRASNUTM3



M3x5 Hex Cap Screw x 2  
#BRASHS3005



Bumper Light Retainer x 2  
#BRX020032

15 **D WHEELS**



M4 Nuts - Nyloc x 4  
#BRASNUTM4



D4x7x3 Aluminum Spacer x 4  
#BRASSP473

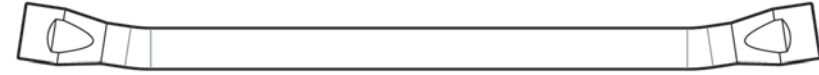


D2x10 Pin x 4  
#BRASPIN210

**PART LOCATION MAP (MIDDLE)**



16



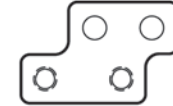
Stainless Steel Tie Rod x 1  
#BRD9022A

17



Fine Tunable Link - 55mm x 1  
#BRLC7050

18



Steering Servo Mount x 2  
#BRX020007

19

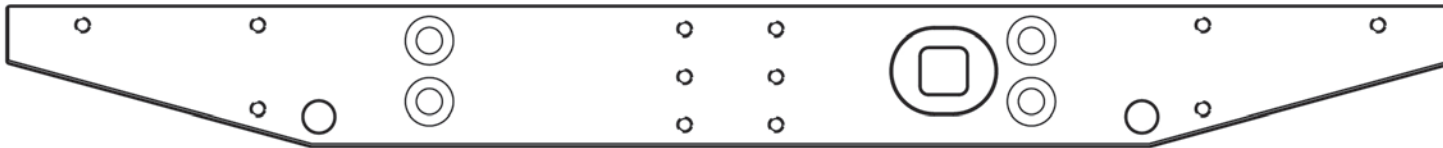


Body Latch Pin x 4  
#BRX020034

20



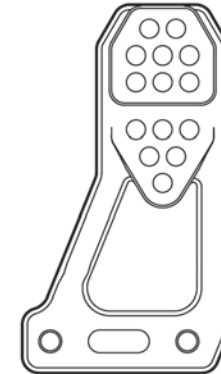
Front Bumper x 1  
#BRX020015F



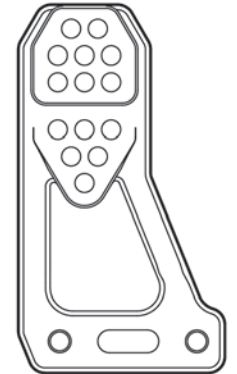
Rear Bumper x 1  
#BRX020015R

21

#BRX020018F

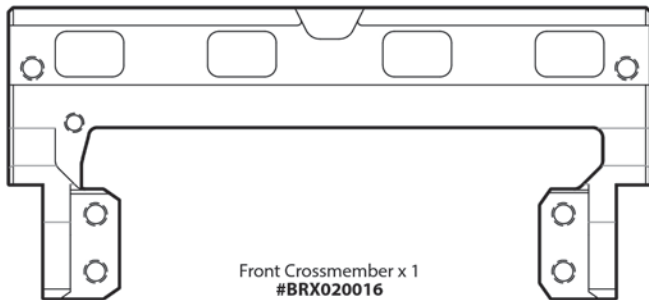


Front Shock Mount - Left x 1



Front Shock Mount - Right x 1

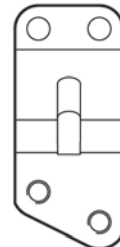
22



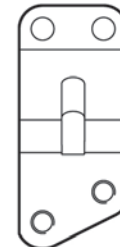
Front Crossmember x 1  
#BRX020016

23

#BRLC7019

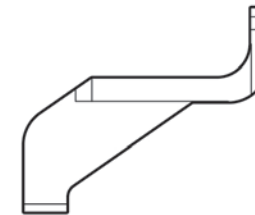


Side Gearbox Mount  
- Left x 1



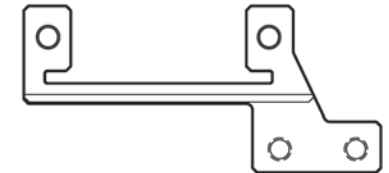
Side Gearbox Mount  
- Right x 1

24



Rear Gearbox Mount x 1  
#BRX020017

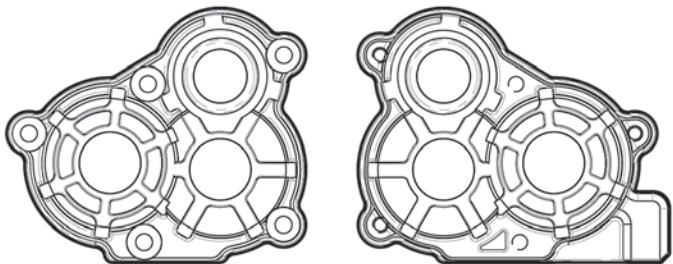
25



Mini Servo Mount x 1  
#BRX020009

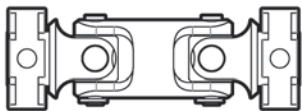


26



SRD™ Transfer Case Housing x 1  
#BRX020047

27



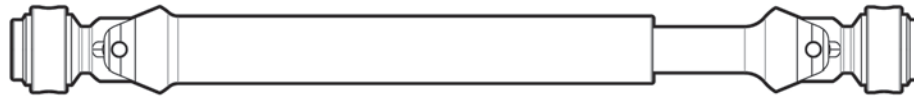
Steel Connection Drive Shaft (33mm) x 1  
#BRX020028

30



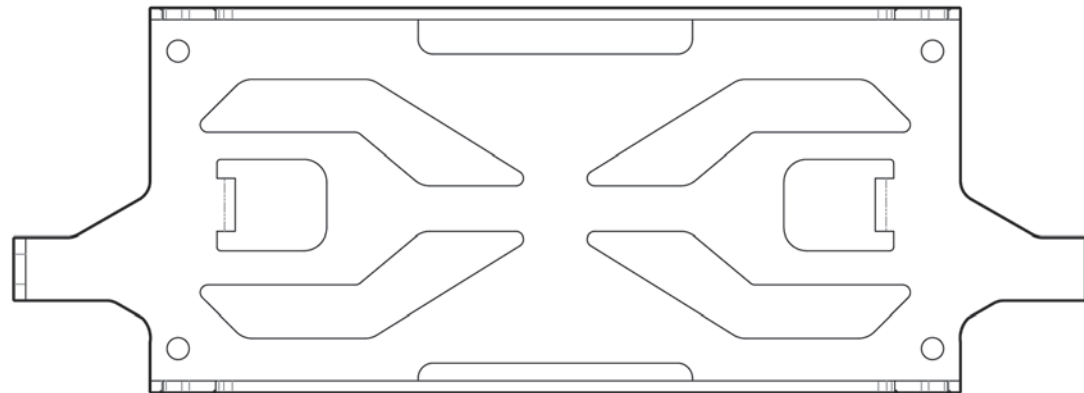
Shift Rod x 1  
#BRX020051

28



KUDU™ HD CVD Center Drive Shaft x 2  
#BRX020043

29



Battery Tray x 1  
#BRX020021

31



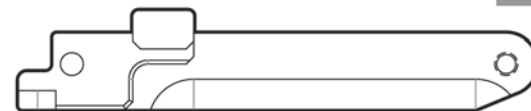
Quick Release Body Mount - Right x 1

#BRX020062



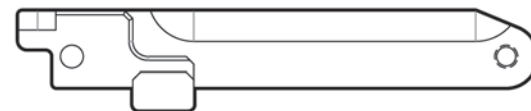
Quick Release Body Mount - Left x 1

34



Quick Release Body Mount Extension - Right x 1

#BRX020063



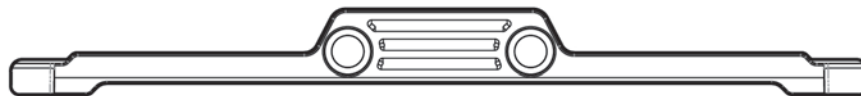
Quick Release Body Mount Extension - Left x 1

32



Body Post x 4  
#BRX020039

33



Quick Release Body Latch x 2  
#BRX020061

35



Mid Crossmember x 1  
#BRX020014

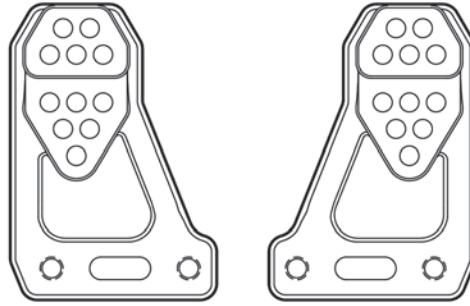
36



Rear Crossmember x 1  
#BRX020012

38

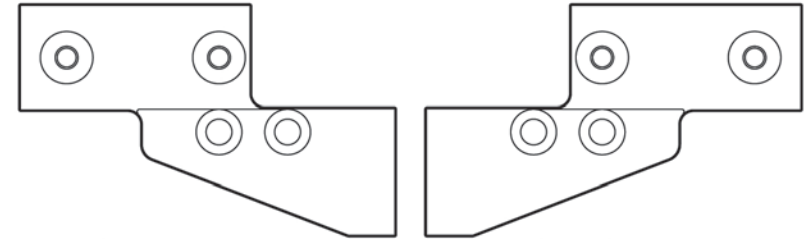
#BRX020018R



Rear Shock Mount - Left x 1      Rear Shock Mount - Right x 1

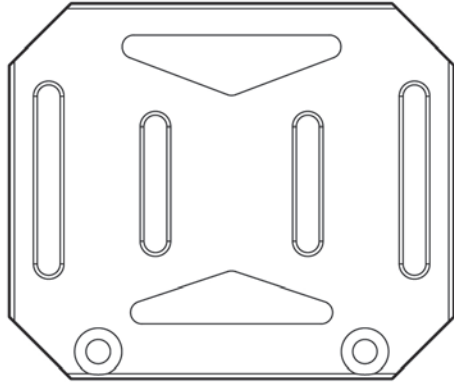
39

#BRX020019



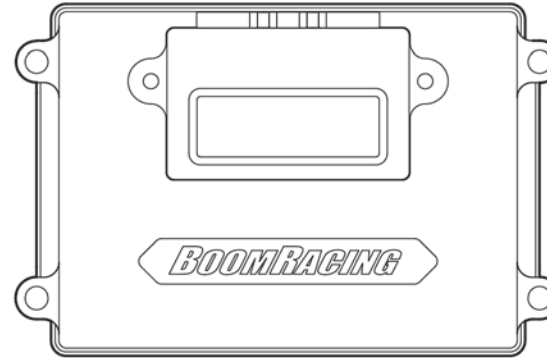
Rear Bumper Mount - Left x 1      Rear Bumper Mount - Right x 1

37



ESC Mounting Plate x 1  
#BRX020079

40



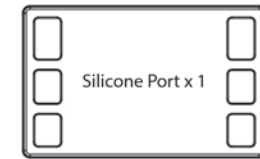
Receiver Box Lid x 1

#BRLC7033

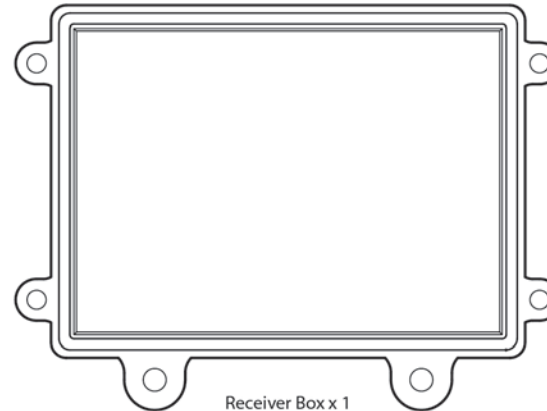


Stainless Steel Sealing Plate x 1

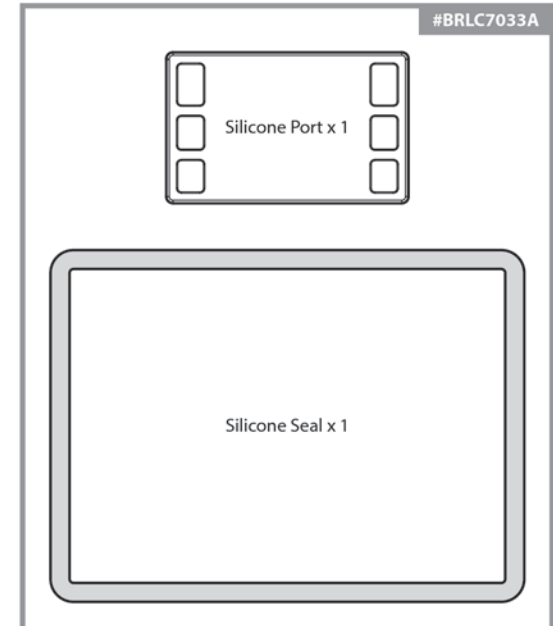
#BRLC7033A



Silicone Port x 1



Receiver Box x 1

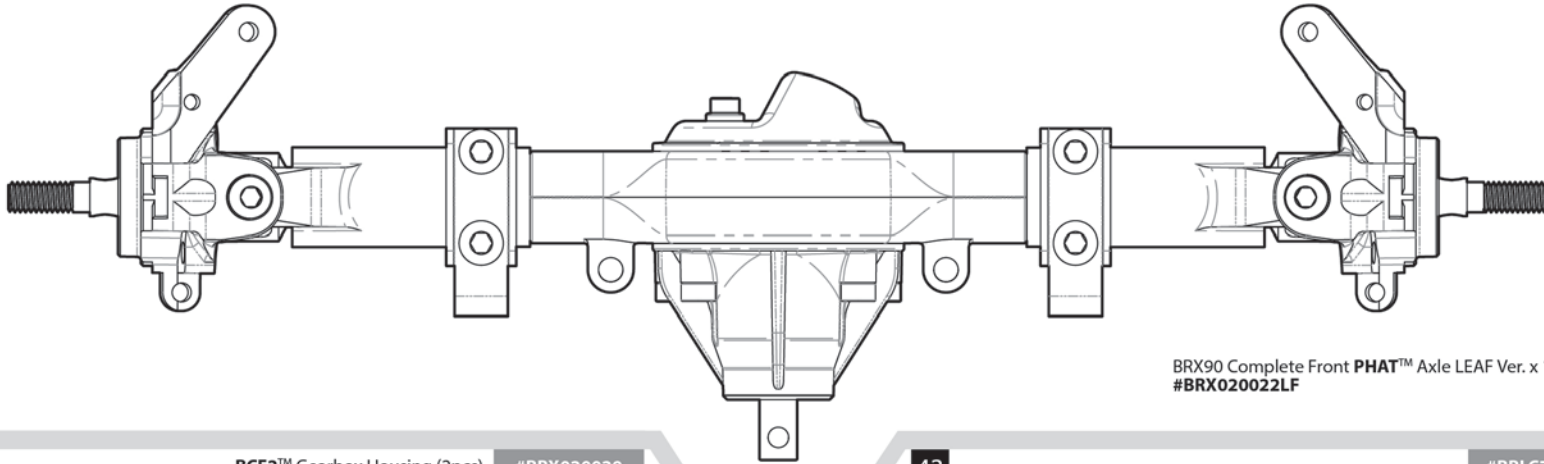


Silicone Seal x 1

**PART LOCATION MAP (BOTTOM)**



41

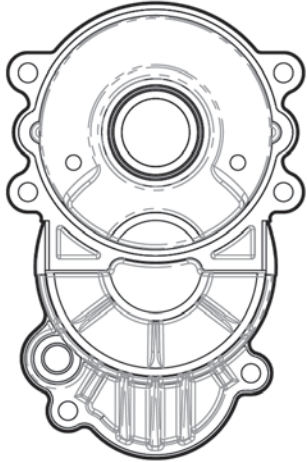


BRX90 Complete Front **PHAT™** Axle LEAF Ver. x 1  
#BRX020022LF

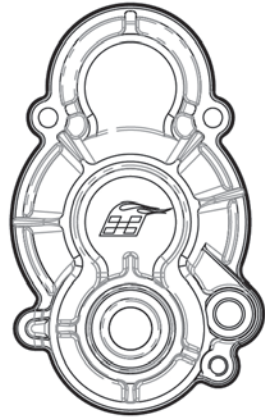
42

BCF2™ Gearbox Housing (2pcs)

#BRX020029



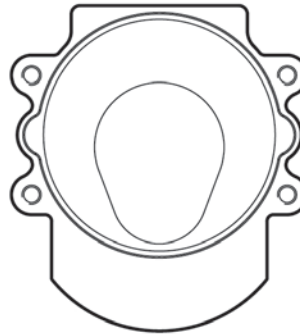
Gearbox Housing A



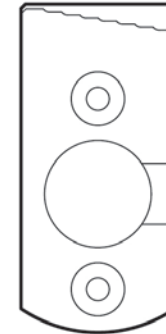
Gearbox Housing B

43

#BRLC7027

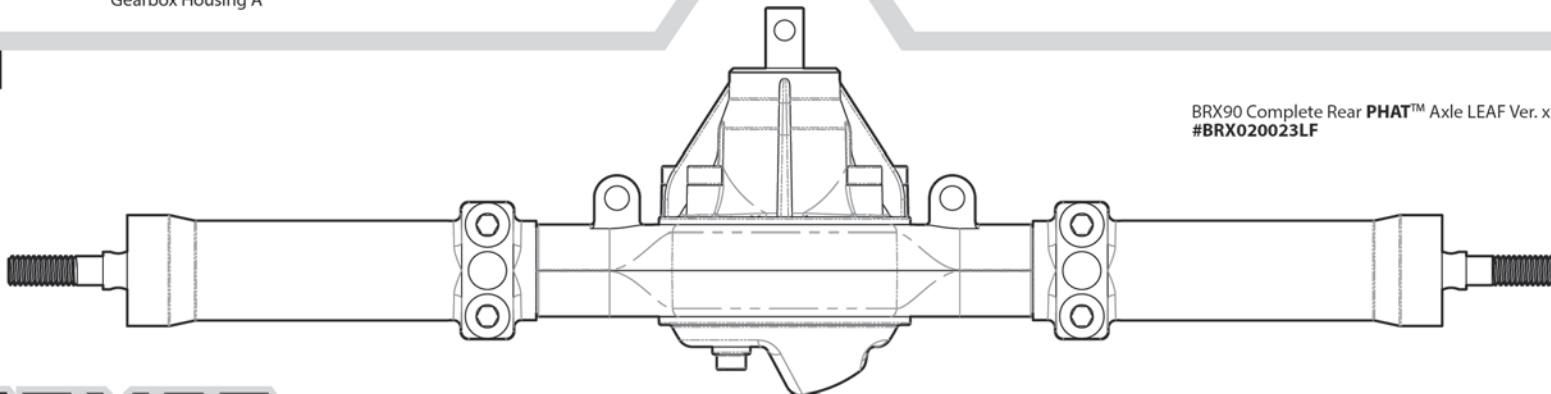


Gearbox Adapter x 1



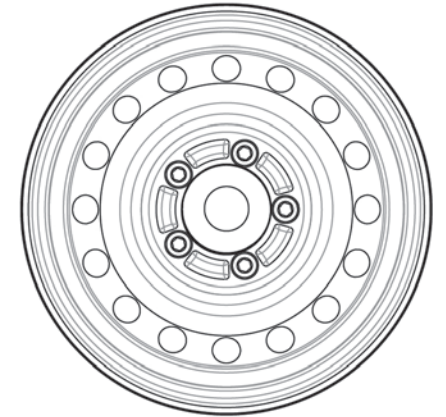
Motor Mount x 1

44



BRX90 Complete Rear **PHAT™** Axle LEAF Ver. x 1  
#BRX020023LF

45



1.9" Narrow 16-Hole Classic Steelie  
Reversible Beadlock Wheels (Gun Metal) x 4  
#BRW780920GM  
with XT500 (#BRXT500V2) Wheel Hub

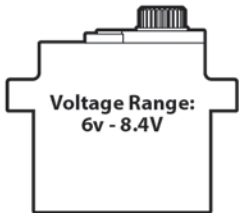


5100 Scale Center Wheel Hub Cap x 4  
#BRW780923



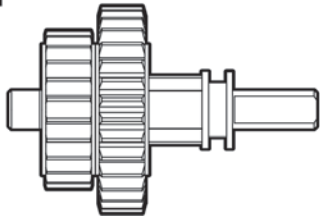


1.9" SP ROAD TRACKER™ Crawler Tire  
 GEKKO Black  
 3.82"x0.94" (97x24mm) x 4  
 #BRTR19005  
 w/ Single Stage Open Cell Foam



Voltage Range:  
 6v - 8.4V

JX Waterproof HV Mini Servo x 1  
 #JX/PDI-HV1151MG



2-Speed Gear Unit x 1  
 #BRLC7044E



Spur Gear Mount x 1  
 #BRLC7030

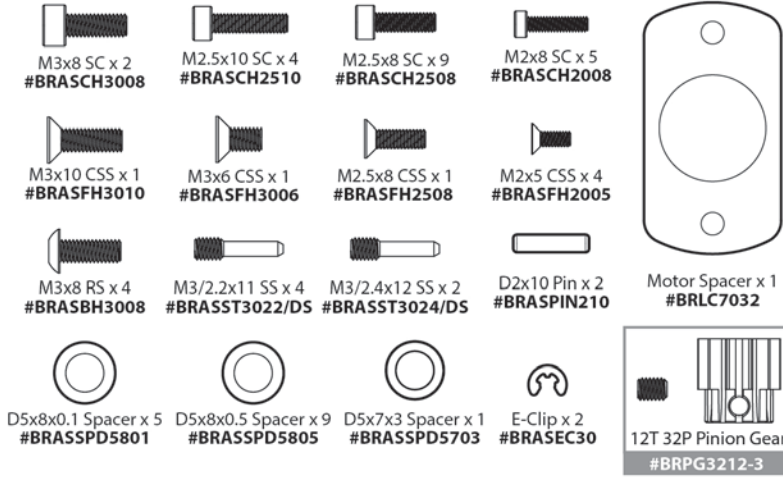


Spur Gear 20T x 2  
 #BRLC7029-20T



Bearing Holder x 1  
 #BRX020029A

47 **E** GEARBOX / TRANSFER CASE



M3x8 SC x 2  
 #BRASCH3008

M2.5x10 SC x 4  
 #BRASCH2510

M2.5x8 SC x 9  
 #BRASCH2508

M2x8 SC x 5  
 #BRASCH2008

M3x10 CSS x 1  
 #BRASFH3010

M3x6 CSS x 1  
 #BRASFH3006

M2.5x8 CSS x 1  
 #BRASFH2508

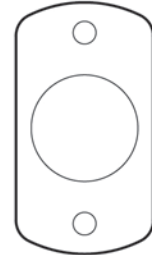
M2x5 CSS x 4  
 #BRASFH2005

M3x8 RS x 4  
 #BRASBH3008

M3/2.2x11 SS x 4  
 #BRASST3022/DS

M3/2.4x12 SS x 2  
 #BRASST3024/DS

D2x10 Pin x 2  
 #BRASPIN210



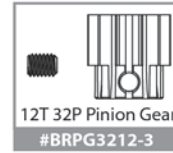
Motor Spacer x 1  
 #BRLC7032

D5x8x0.1 Spacer x 5  
 #BRASSPD5801

D5x8x0.5 Spacer x 9  
 #BRASSPD5805

D5x7x3 Spacer x 1  
 #BRASSPD5703

E-Clip x 2  
 #BRASEC30



12T 32P Pinion Gear  
 #BRPG3212-3

47 **F** RECEIVER BOX

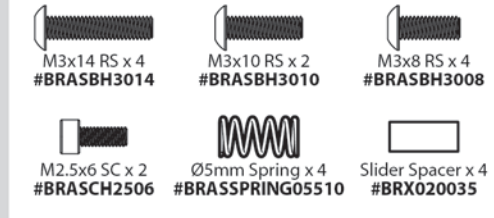


M3x10 RS x 2  
 #BRASBH3010

M3x8 RS x 4  
 #BRASBH3008

M2.5x6 RS x 2  
 #BRASBH2506

47 **G** BODY MOUNTS



M3x14 RS x 4  
 #BRASBH3014

M3x10 RS x 2  
 #BRASBH3010

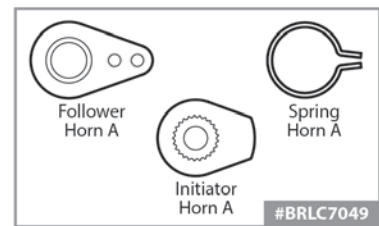
M3x8 RS x 4  
 #BRASBH3008

M2.5x6 SC x 2  
 #BRASCH2506

Ø5mm Spring x 4  
 #BRASSPRING05510

Slider Spacer x 4  
 #BRX020035

47 **H** SERVOS



Follower Horn A

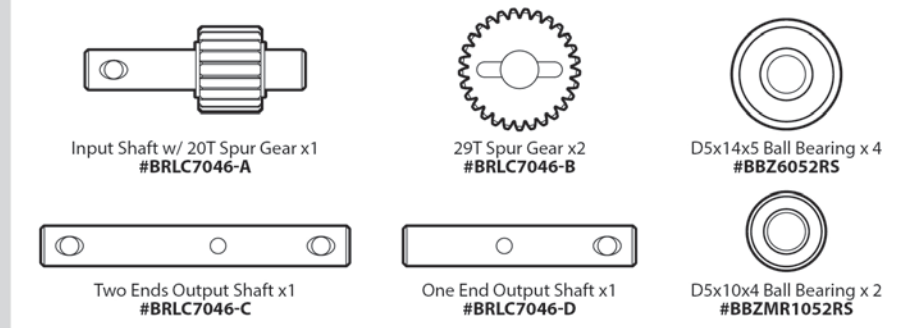
Spring Horn A

Initiator Horn A  
 #BRLC7049

M3x6 RS x 8  
 #BRASBH3006

M2x8 SC x 3  
 #BRASCH2008

47 **I** GEARS, SHAFTS & BEARINGS - TRANSFER CASE



Input Shaft w/ 20T Spur Gear x1  
 #BRLC7046-A

29T Spur Gear x2  
 #BRLC7046-B

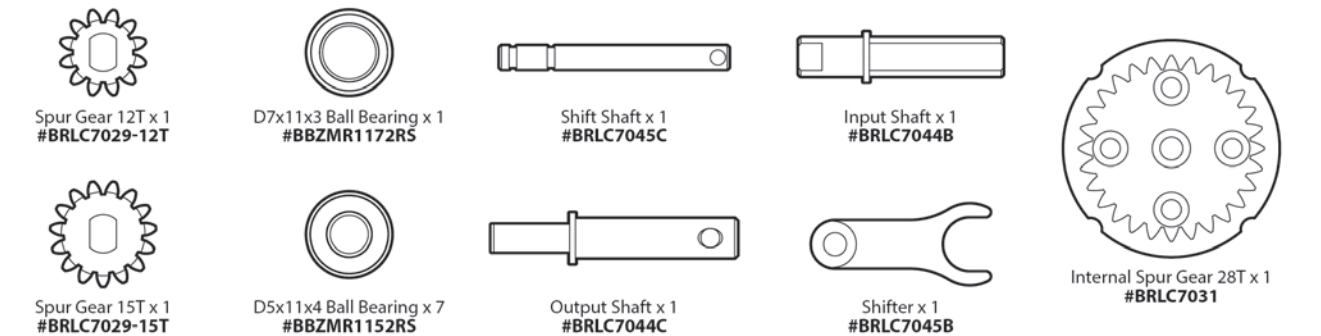
D5x14x5 Ball Bearing x 4  
 #BBZ6052RS

Two Ends Output Shaft x1  
 #BRLC7046-C

One End Output Shaft x1  
 #BRLC7046-D

D5x10x4 Ball Bearing x 2  
 #BBZMR1052RS

47 **J** GEARS, SHAFTS & BEARINGS - GEAR BOX



Spur Gear 12T x 1  
 #BRLC7029-12T

D7x11x3 Ball Bearing x 1  
 #BBZMR1172RS

Shift Shaft x 1  
 #BRLC7045C

Input Shaft x 1  
 #BRLC7044B

Spur Gear 15T x 1  
 #BRLC7029-15T

D5x11x4 Ball Bearing x 7  
 #BBZMR1152RS

Output Shaft x 1  
 #BRLC7044C

Shifter x 1  
 #BRLC7045B

Internal Spur Gear 28T x 1  
 #BRLC7031

47



Extension Cable x 2  
#BRLC7095

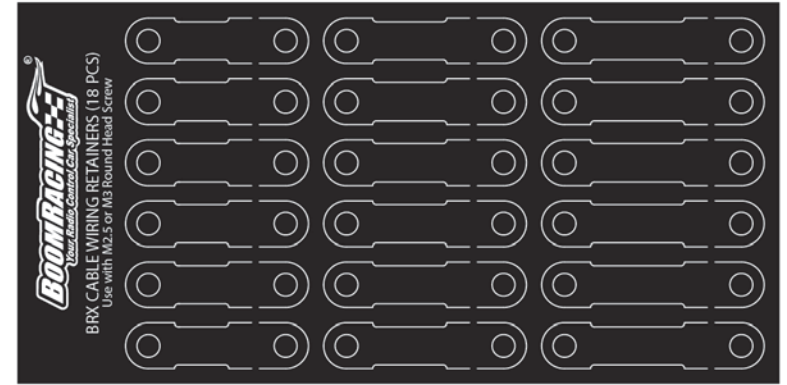
47



10 x 1.5cm Double Side Tape x 1



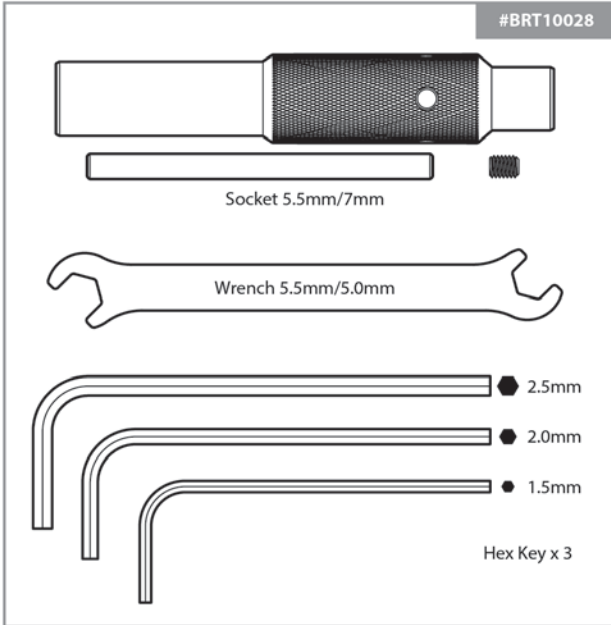
47



BOOMRACING  
Your Radio Control Car Specialist  
BRX CABLE WIRING RETAINERS (18 PCS)  
Use with M2.5 or M3 Round Head Screw

Cable Wiring Retainers  
#BRT10037

47



#BRT10028

Socket 5.5mm/7mm

Wrench 5.5mm/5.0mm

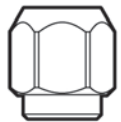
2.5mm

2.0mm

1.5mm

Hex Key x 3

#BRT10053



Pivot Ball Tool x 1



M3x18 RS x 1  
#BRASBH3018

47



Black Graphite Grease 10g x 1  
#BRGRS1055-10



Silicone Grease 10g x 1  
#BRGRS10274-10



30WT Shock Oil 15ml x 1  
(Available separately in 60ml)  
#BRSHK030



242 Thread Lock 2g x 1  
(Available separately in 10g)  
#BRGRS242



# 1 - CHASSIS RAIL

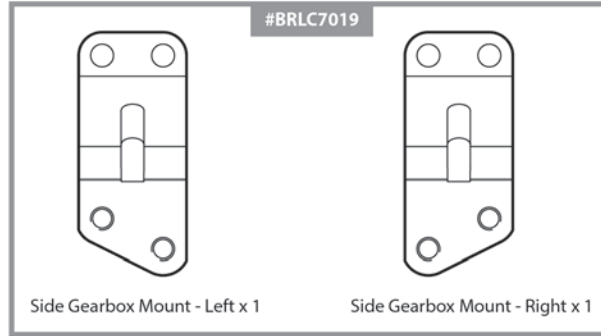
Parts Needed:



Body Latch Pin x 4  
#BRX020034



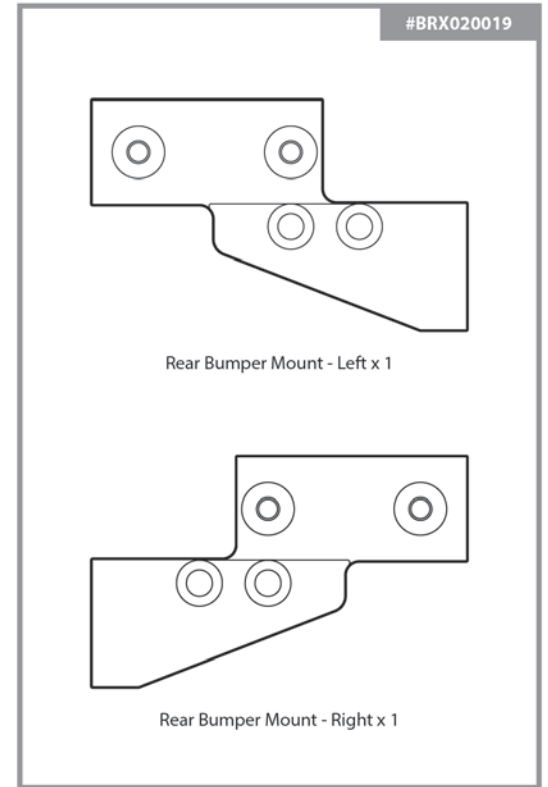
Body Post x 4  
#BRX020039



#BRLC7019

Side Gearbox Mount - Left x 1

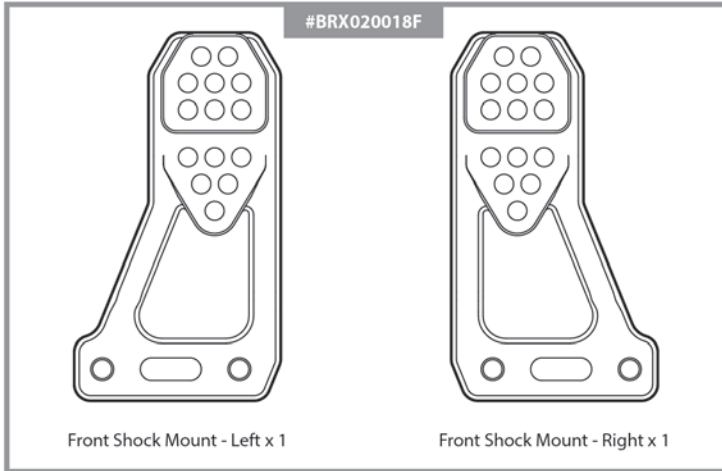
Side Gearbox Mount - Right x 1



#BRX020019

Rear Bumper Mount - Left x 1

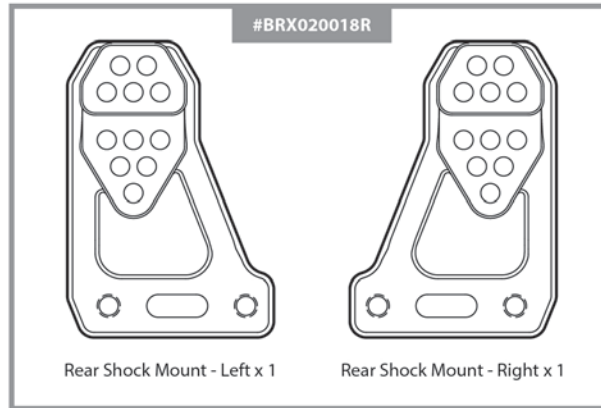
Rear Bumper Mount - Right x 1



#BRX020018F

Front Shock Mount - Left x 1

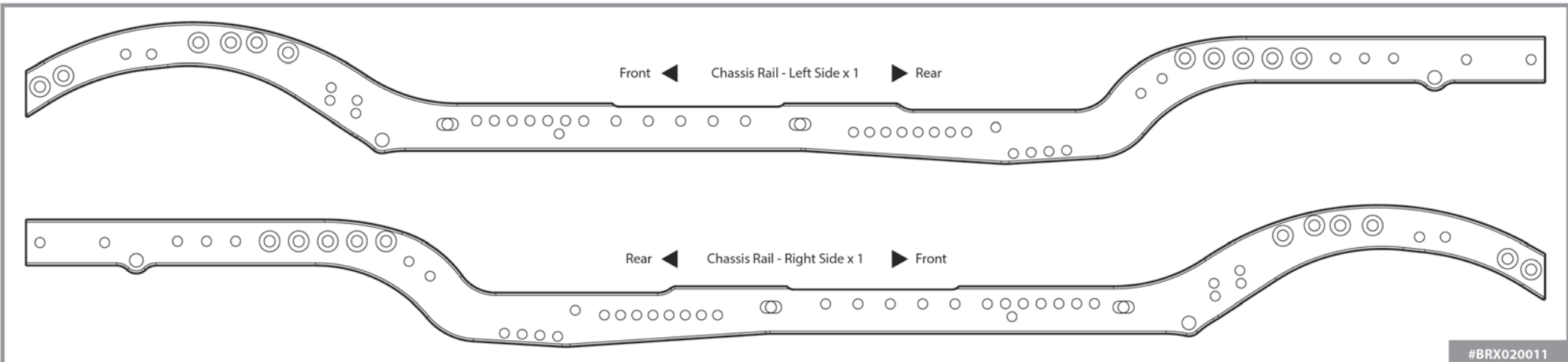
Front Shock Mount - Right x 1



#BRX020018R

Rear Shock Mount - Left x 1

Rear Shock Mount - Right x 1



Front ◀ Chassis Rail - Left Side x 1 ▶ Rear

Rear ◀ Chassis Rail - Right Side x 1 ▶ Front





#BRX020011

CHASSIS RAIL

CHASSIS RAIL



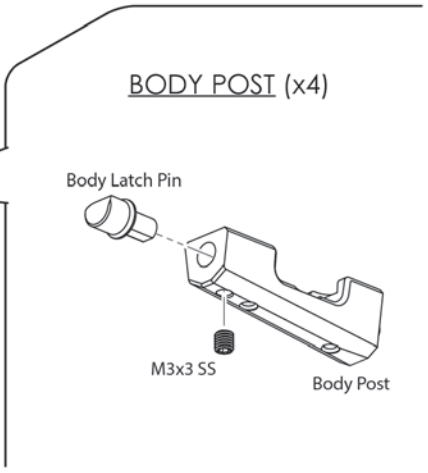
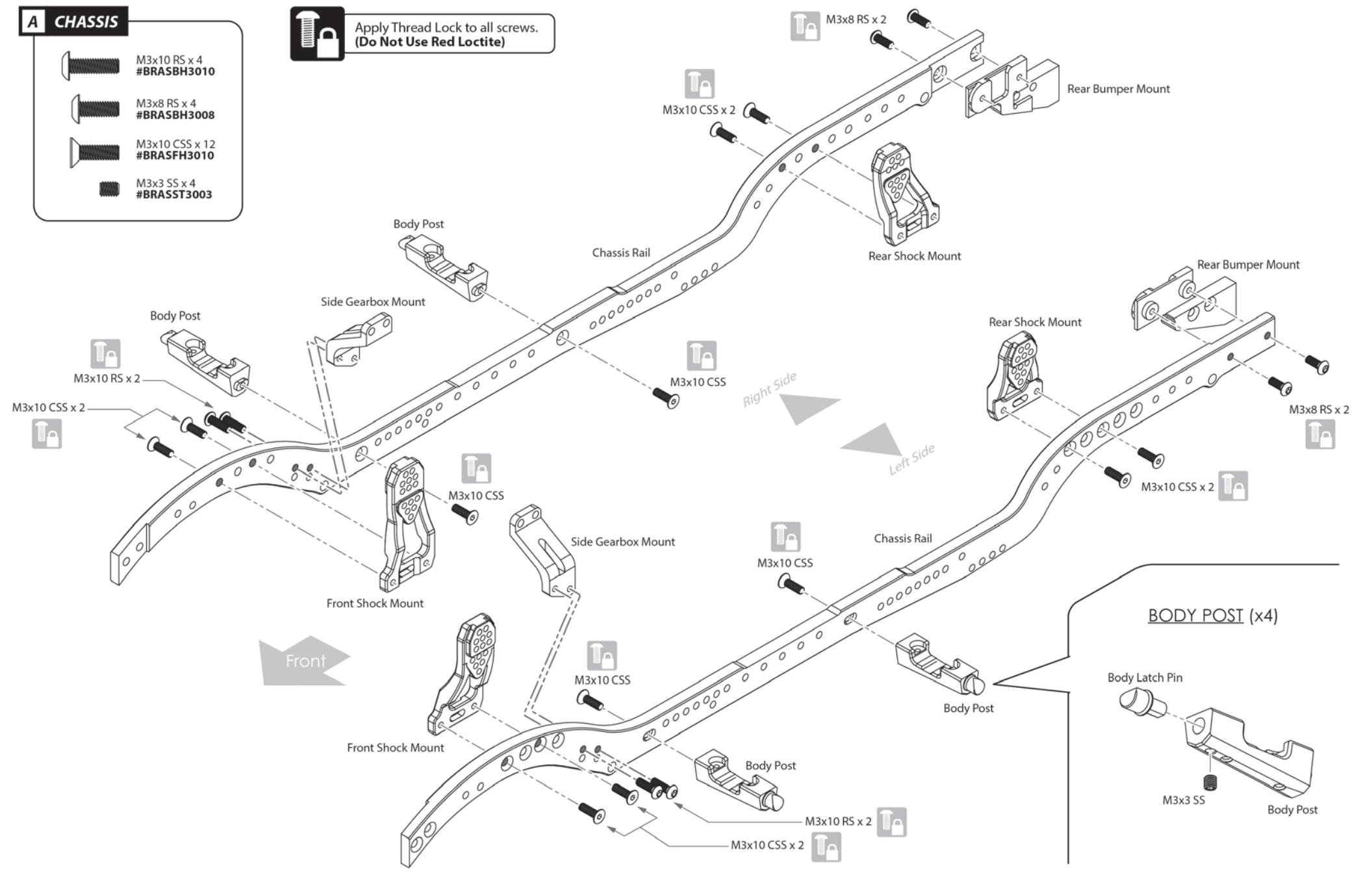
**A CHASSIS**

-  M3x10 RS x 4  
#BRASBH3010
-  M3x8 RS x 4  
#BRASBH3008
-  M3x10 CSS x 12  
#BRASFH3010
-  M3x3 SS x 4  
#BRASST3003

 Apply Thread Lock to all screws.  
**(Do Not Use Red Loctite)**

CHASSIS RAIL

CHASSIS RAIL

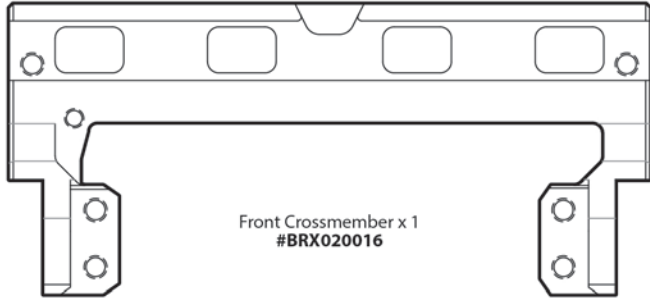


**BRX02**

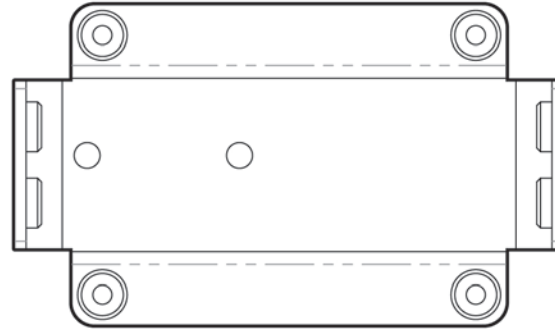


# 2 - CHASSIS

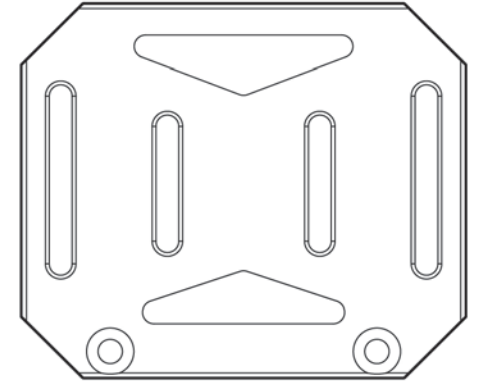
Parts Needed:



Front Crossmember x 1  
#BRX020016



Center Skid Plate x 1  
#BRX020020LF



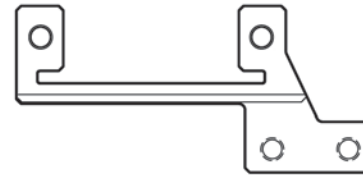
ESC Mounting Plate x 1  
#BRX020079



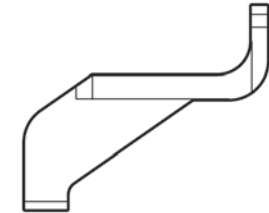
Mid Crossmember x 1  
#BRX020014



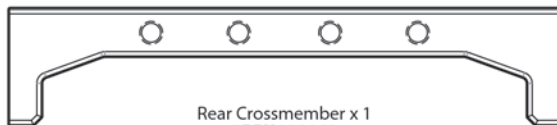
Steering Servo Mount x 2  
#BRX020007



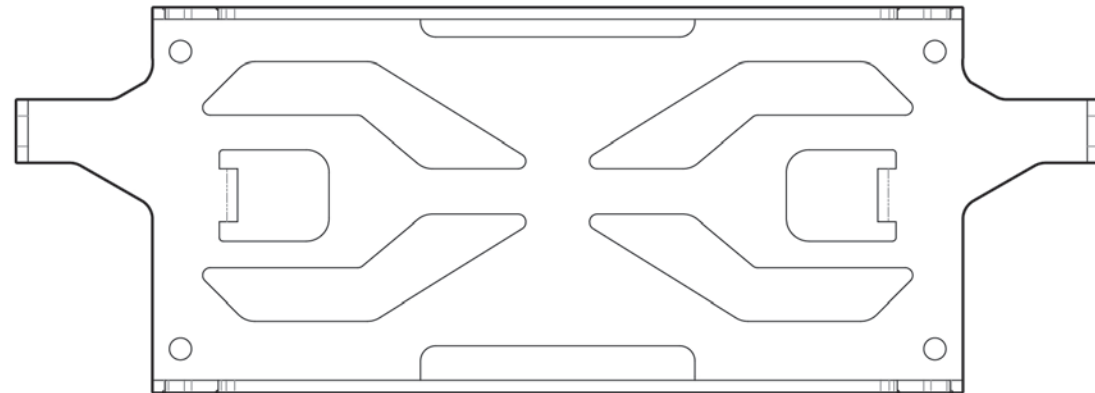
Mini servo Mount x 1  
#BRX020009



Rear Gearbox Mount x 1  
#BRX020017



Rear Crossmember x 1  
#BRX020012






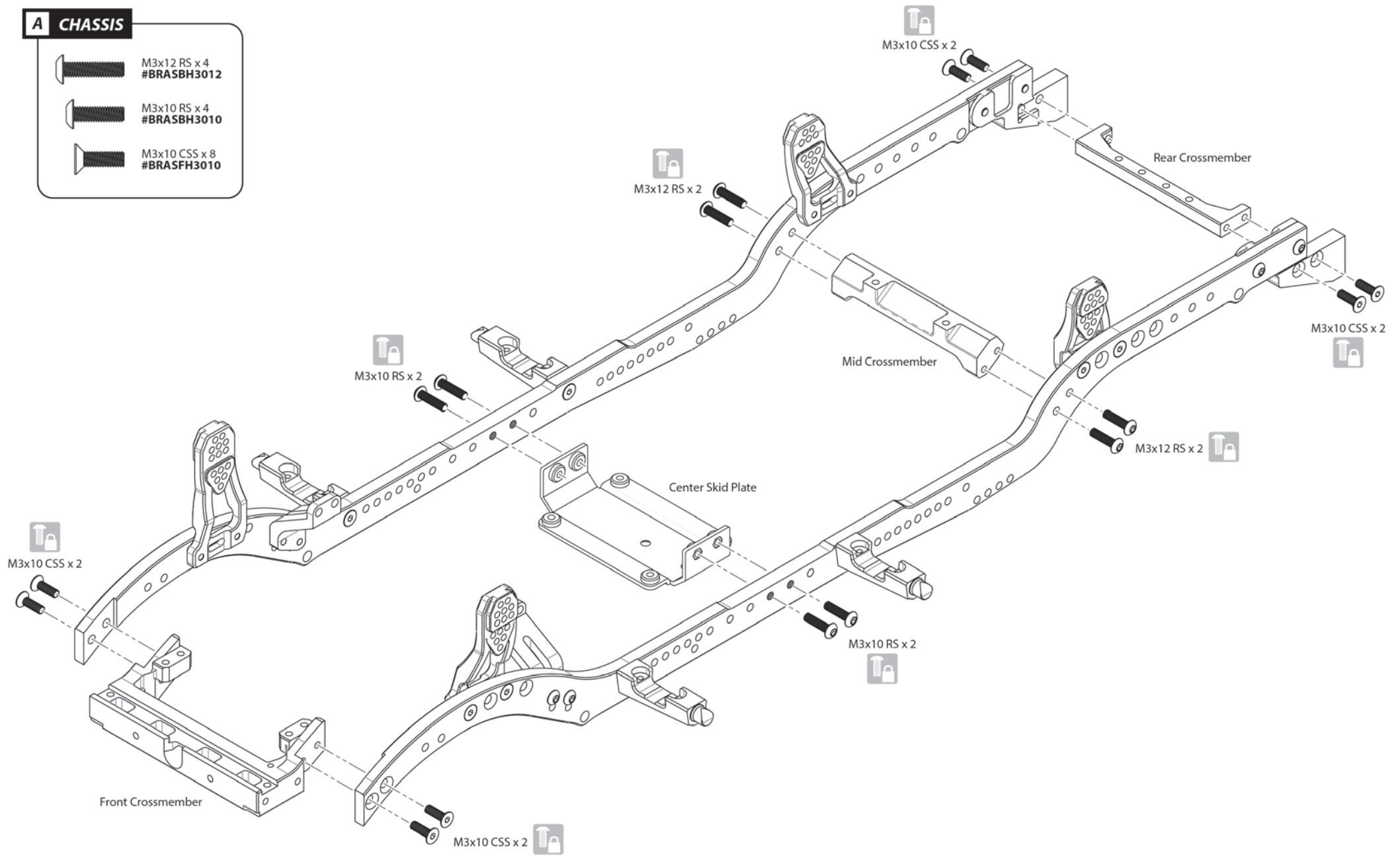
Battery Tray x 1  
#BRX020021

CHASSIS

CHASSIS

**A CHASSIS**

-  M3x12 RS x 4  
#BRASBH3012
-  M3x10 RS x 4  
#BRASBH3010
-  M3x10 CSS x 8  
#BRASFH3010






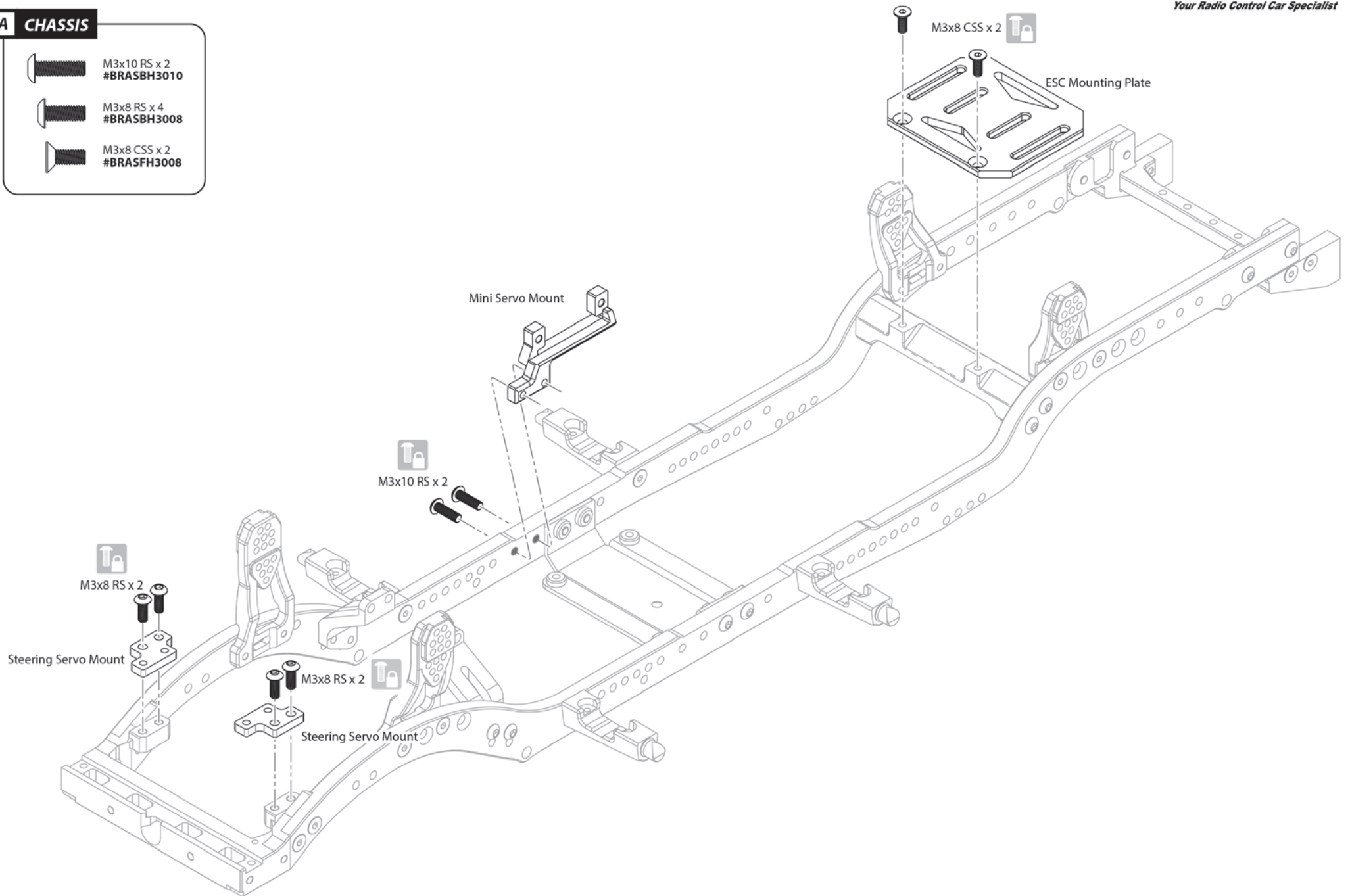
CHASSIS

CHASSIS



**A CHASSIS**

-  M3x10 RS x 2  
#BRASBH3010
-  M3x8 RS x 4  
#BRASBH3008
-  M3x8 CSS x 2  
#BRASFH3008



**A CHASSIS**



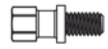
M3x12 RS x 2  
#BRASBH3012



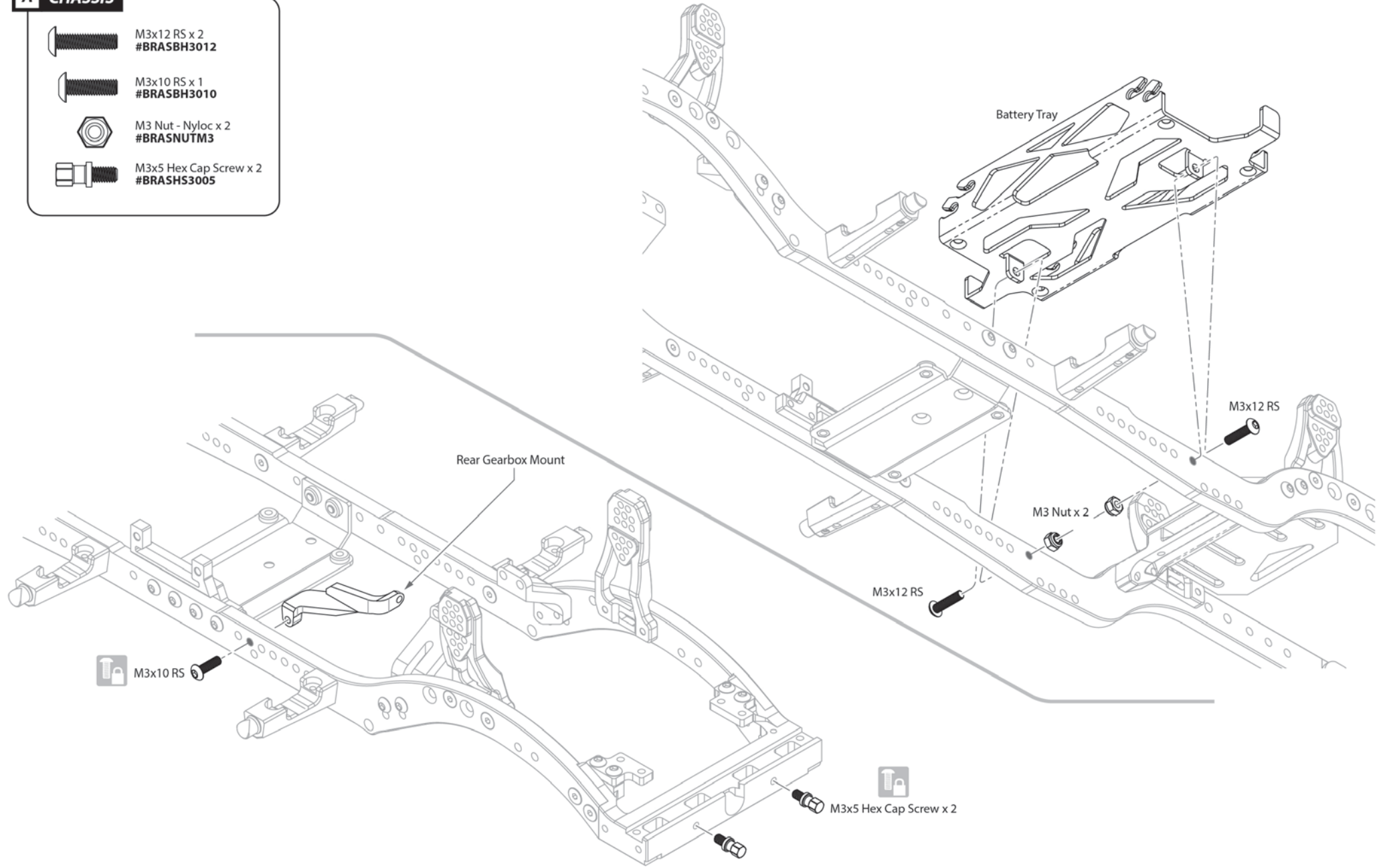
M3x10 RS x 1  
#BRASBH3010



M3 Nut - Nyloc x 2  
#BRASNUTM3



M3x5 Hex Cap Screw x 2  
#BRASH53005

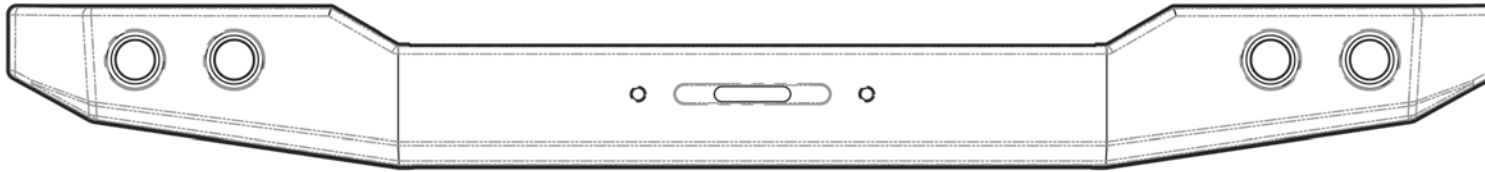


CHASSIS

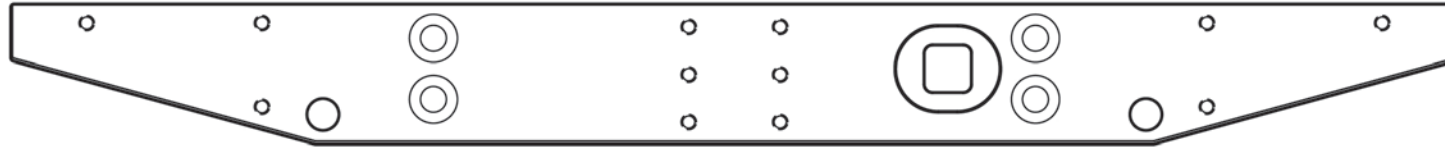
CHASSIS

# 3 - BUMPERS

Parts Needed:



Front Bumper x 1  
#BRX020015F

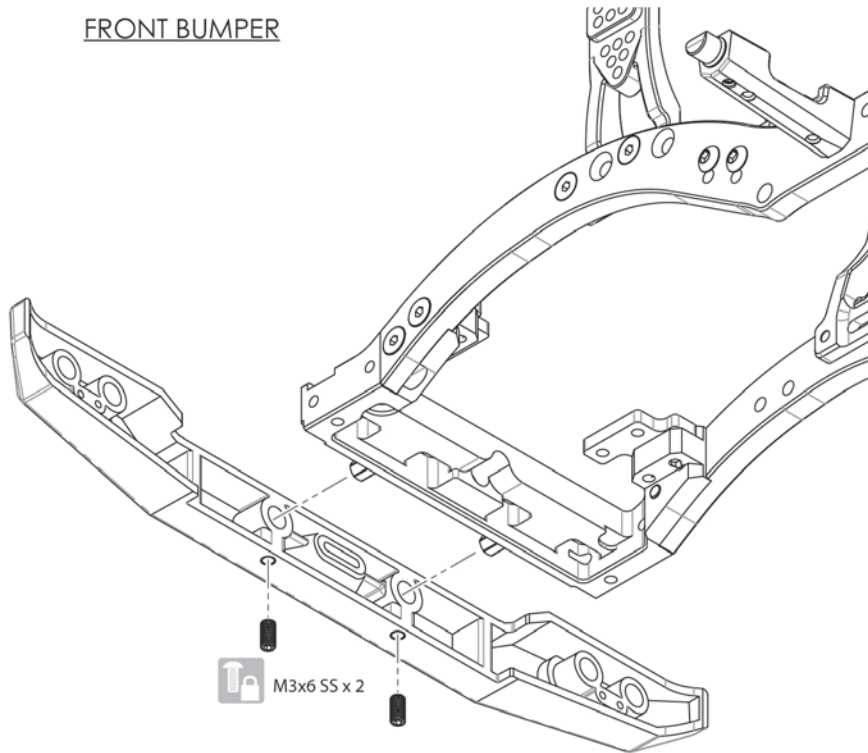


Rear Bumper x 1  
#BRX020015R

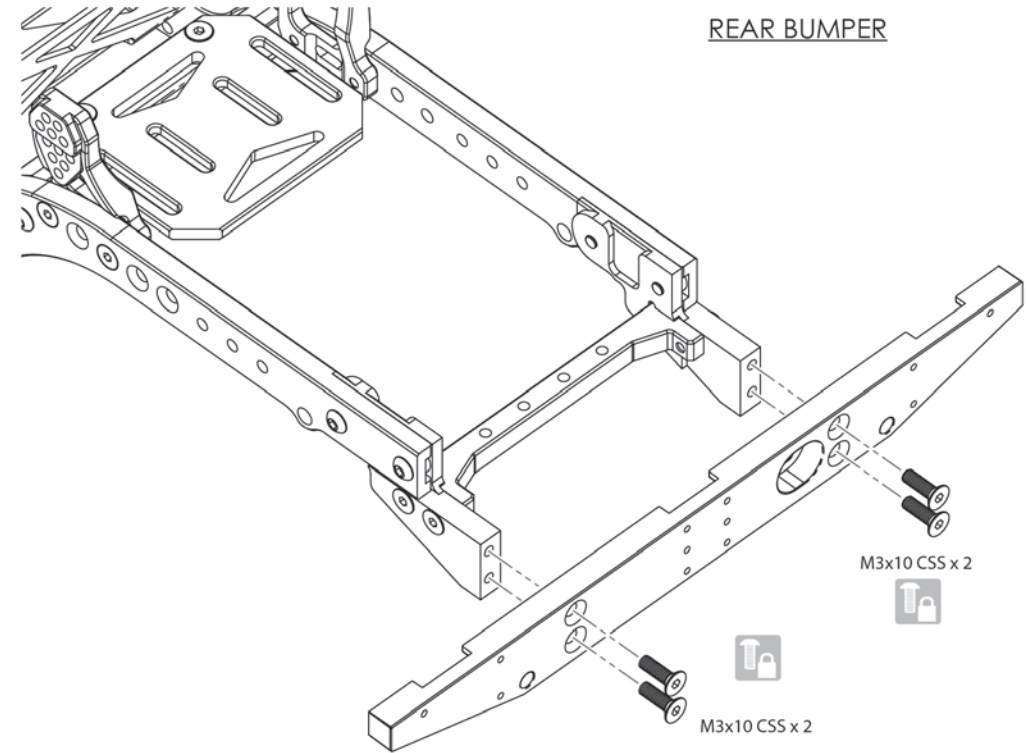
**A CHASSIS**

-  M3x10 CSS x 4  
#BRASFH3010
-  M3x6 SS x 2  
#BRASST3006

FRONT BUMPER



REAR BUMPER

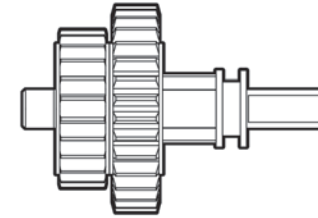
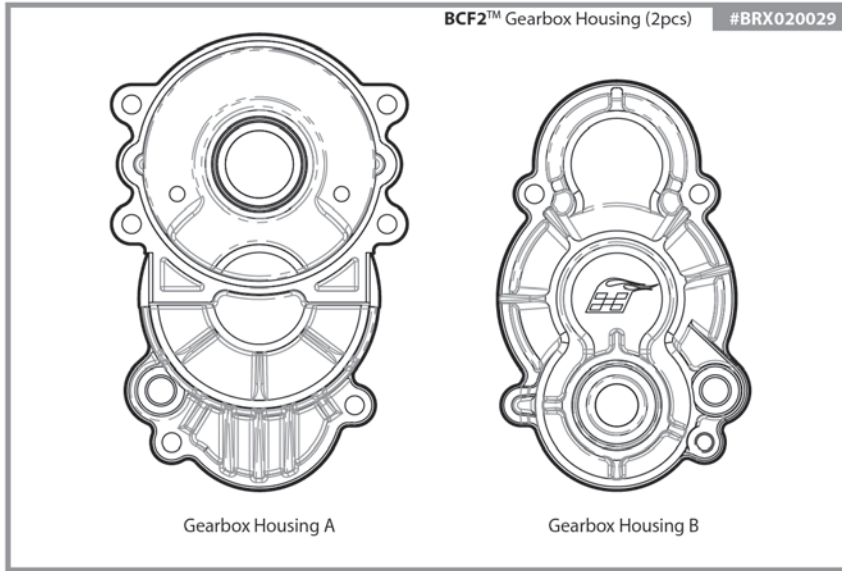


BUMPERS

BUMPERS

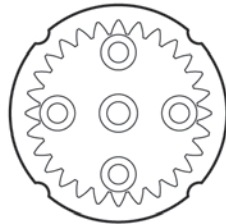
# 4 - GEARBOX

Parts Needed:



2-Speed Gear Unit x 1  
#BRLC7044E

## J GEARS, SHAFTS & BEARINGS - GEAR BOX



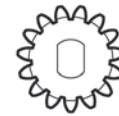
Internal Spur Gear 28T x 1  
#BRLC7031



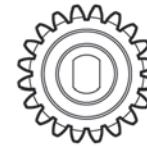
Spur Gear Mount x 1  
#BRLC7030



Spur Gear 12T x 1  
#BRLC7029-12T



Spur Gear 15T x 1  
#BRLC7029-15T



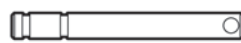
Spur Gear 20T x 2  
#BRLC7029-20T



D5x11x4 Ball Bearing x 7  
#BBZMR1152R5



D7x11x3 Ball Bearing x 1  
#BBZMR1172R5



Shift Shaft x 1  
#BRLC7045C



Shifter x 1  
#BRLC7045B



Input Shaft x 1  
#BRLC7044B



Output Shaft x 1  
#BRLC7044C






Bearing Holder x 1  
#BRX020029A



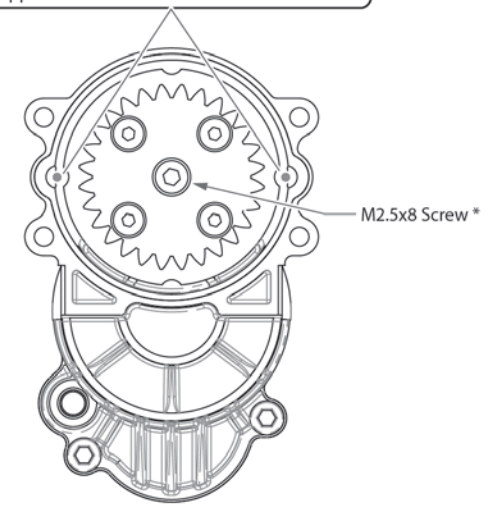
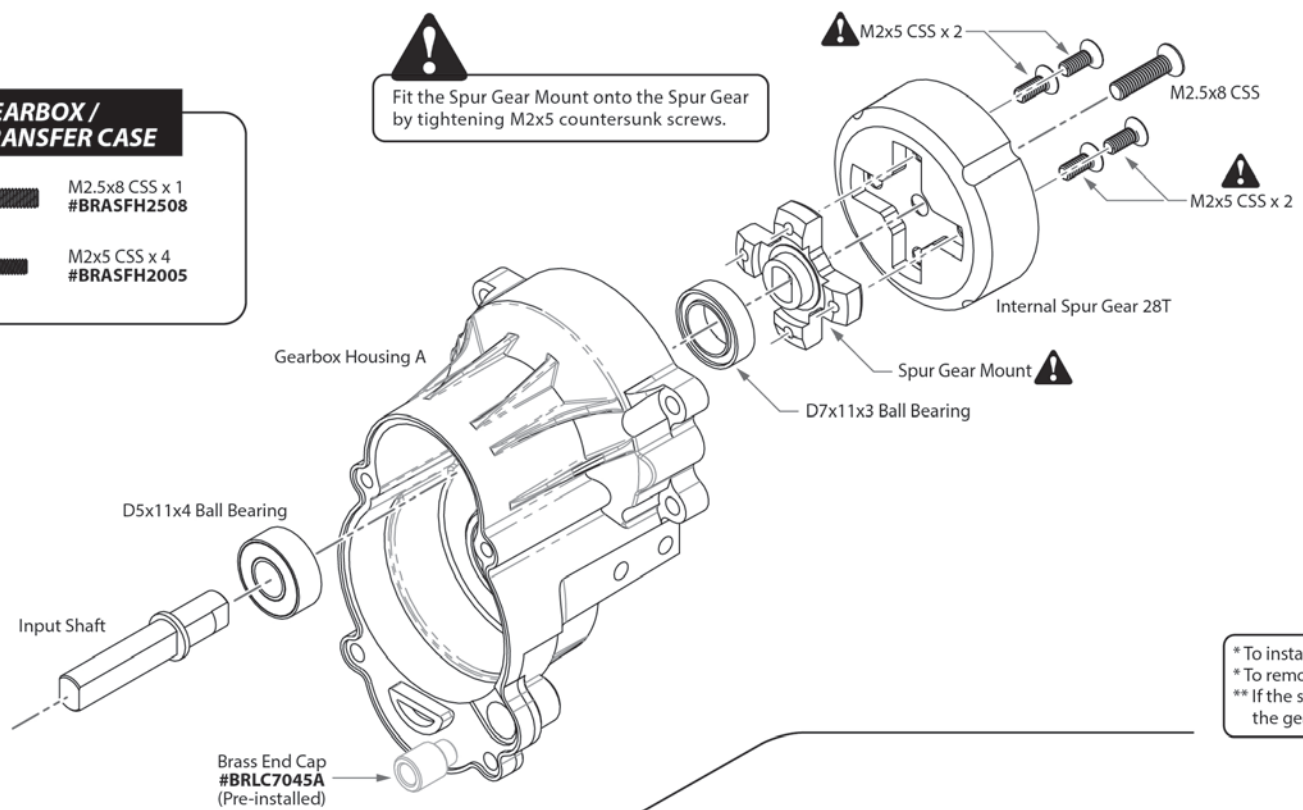
**4.1**

**E GEARBOX / TRANSFER CASE**

-  M2.5x8 CSS x 1  
#BRASFH2508
-  M2x5 CSS x 4  
#BRASFH2005

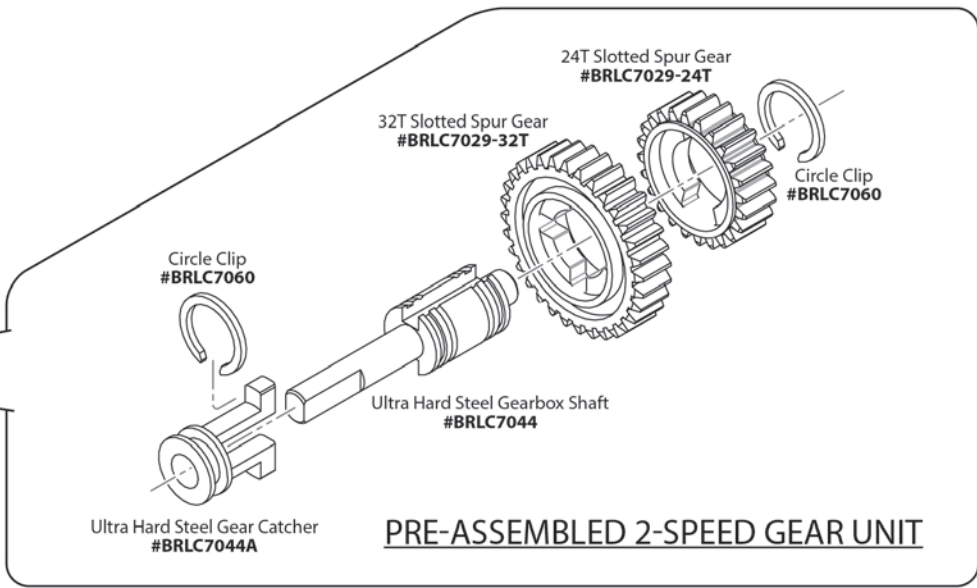
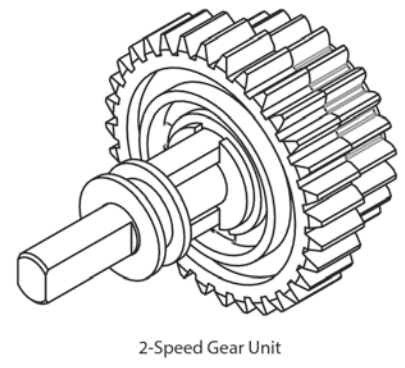
 Fit the Spur Gear Mount onto the Spur Gear by tightening M2x5 countersunk screws.

To install or remove the spur gear from the gearbox, align the spur gear as pictured and temporarily insert two M3 screws\*\* to act as stoppers.



\* To install the spur gear, install the four M2x5 screws, then the center M2.5x8 screw.  
\* To remove the spur gear, remove the M2.5x8 screw, then remove the four M2x5 screws.  
\*\* If the spur gear can't be removed, place two long M3 screws and torque them both until the gear is released.

**4.2**



**PRE-ASSEMBLED 2-SPEED GEAR UNIT**

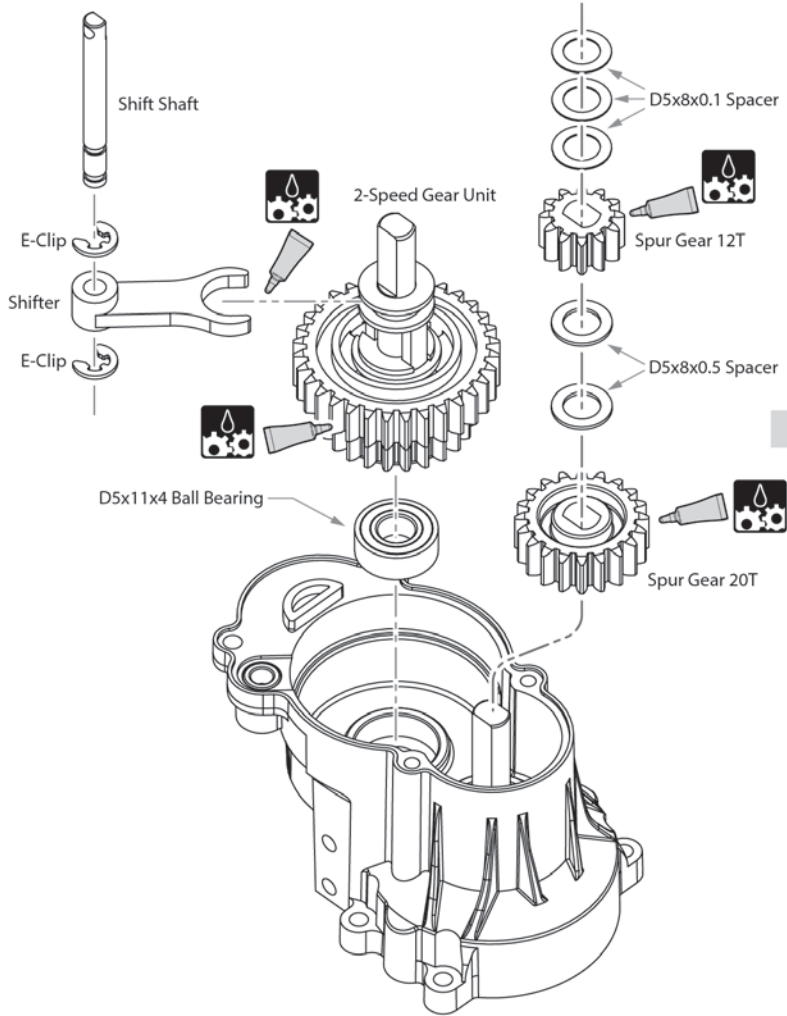
GEARBOX

GEARBOX

# 4.3

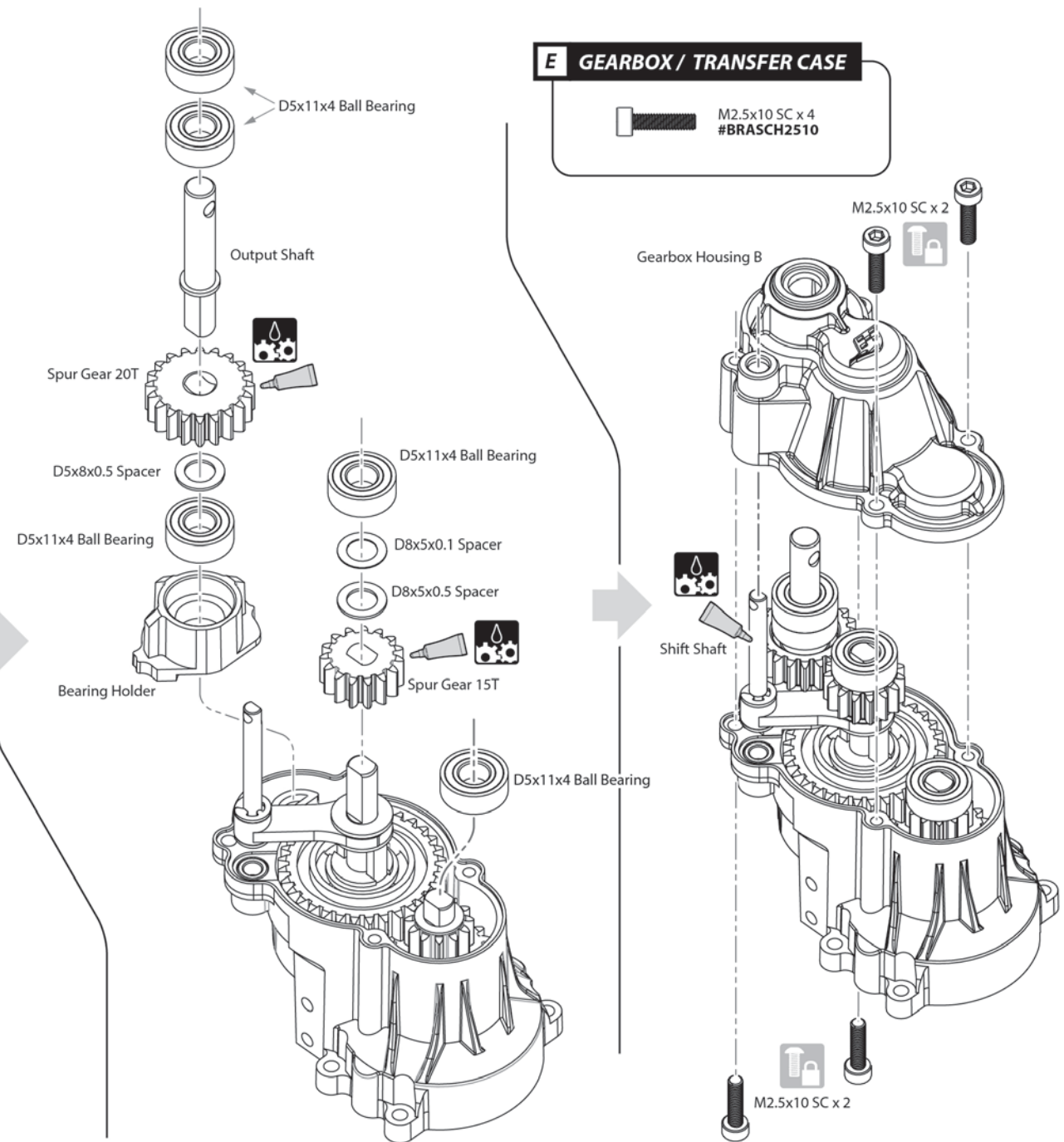
## E GEARBOX / TRANSFER CASE

-  D5x8x0.5 Spacer x 4  
#BRASSPD5805
-  E-Clip x 2  
#BRASEC30
-  D5x8x0.1 Spacer x 4  
#BRASSPD5801



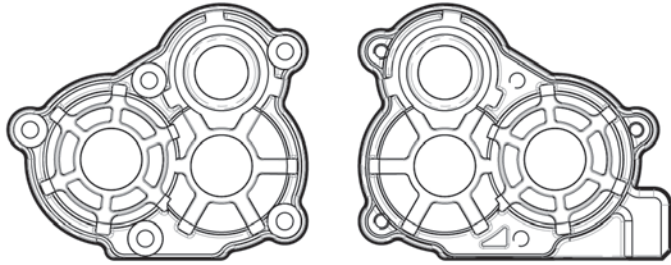
## E GEARBOX / TRANSFER CASE

-  M2.5x10 SC x 4  
#BRASCH2510



# 5 - TRANSFER CASE

Parts Needed:



SRD™ Transfer Case Housing  
#BRX020047

## E GEARBOX / TRANSFER CASE



M2x8 SC x 5  
#BRASFCH2008

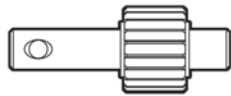


D2x10 Pin x 2  
#BRASPIN210

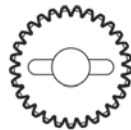


D5x8x0.5 Spacer x 4  
#BRASSPD5805

## I GEARS, SHAFTS & BEARINGS - TRANSFER CASE



Input Shaft w/ 20T Spur Gear x1  
#BRLC7046-A



29T Spur Gear x2  
#BRLC7046-B



Two Ends Output Shaft x1  
#BRLC7046-C



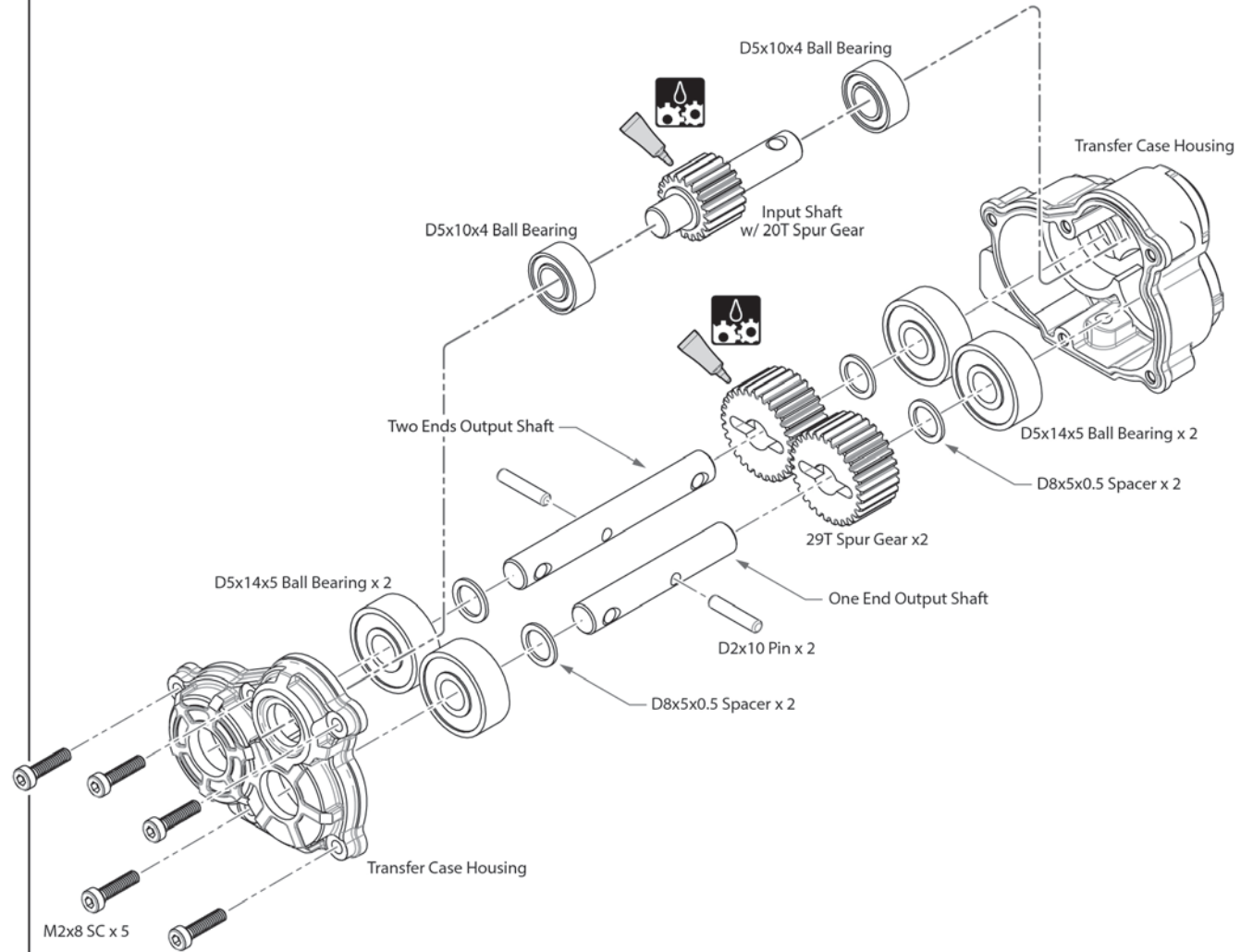
One End Output Shaft x1  
#BRLC7046-D



D5x10x4 Ball Bearing x 2  
#BBZMR1052RS



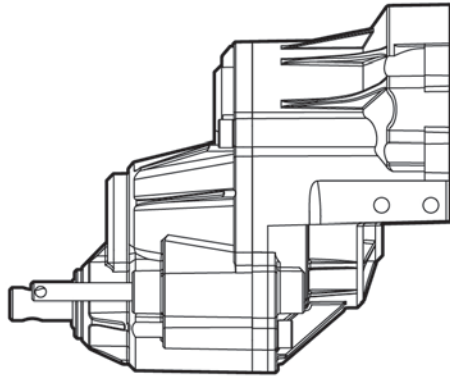
D5x14x5 Ball Bearing x 4  
#BBZ6052RS



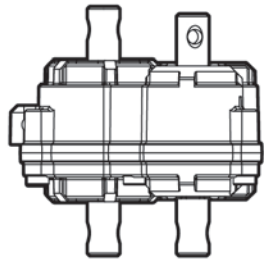


# 6 - TRANSMISSION

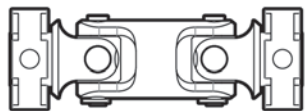
Parts Needed:



Complete **BCF2™** Gearbox









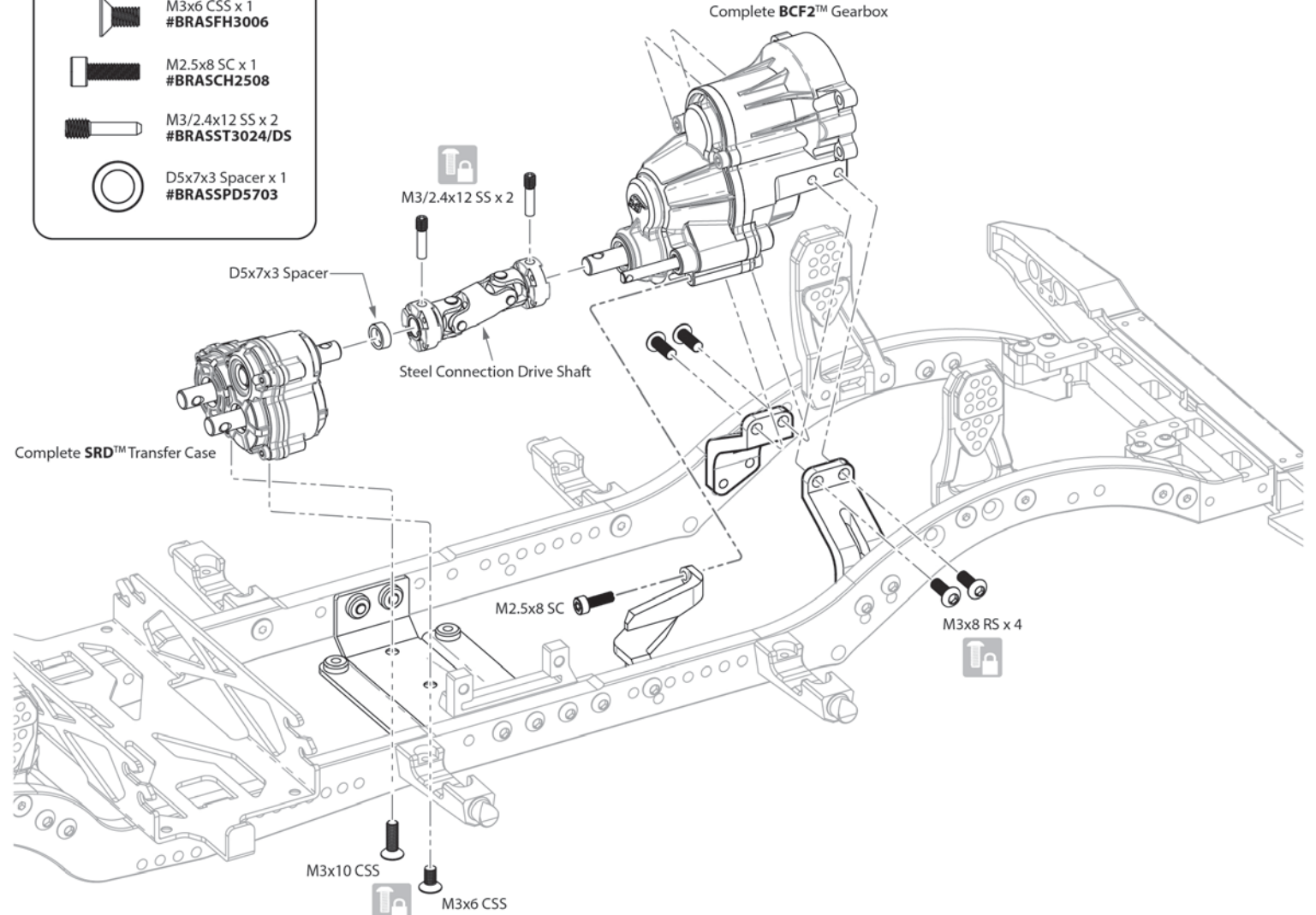
Complete **SRD™** Transfer Case



Steel Connection Drive Shaft (33mm)  
#**BRX020028**

## E GEARBOX / TRANSFER CASE

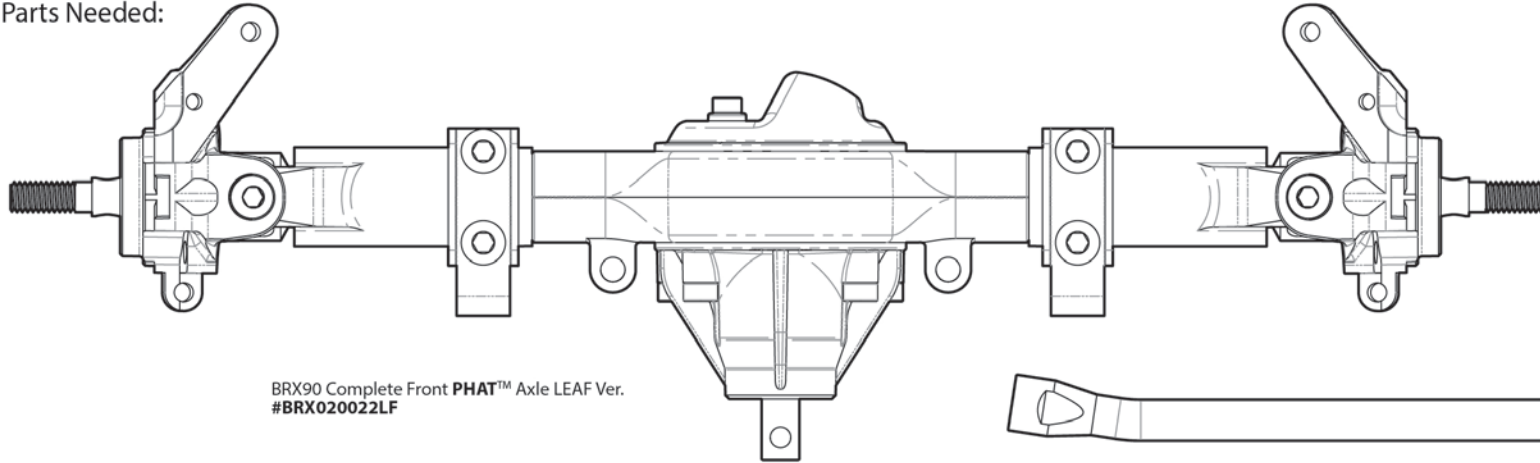
-  M3x8 RS x 4  
#**BRASBH3008**
-  M3x10 CSS x 1  
#**BRASFH3010**
-  M3x6 CSS x 1  
#**BRASFH3006**
-  M2.5x8 SC x 1  
#**BRASCH2508**
-  M3/2.4x12 SS x 2  
#**BRASST3024/DS**
-  D5x7x3 Spacer x 1  
#**BRASSPD5703**



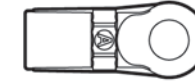


# 7 - FRONT AXLE & LEAF SPRING

Parts Needed:



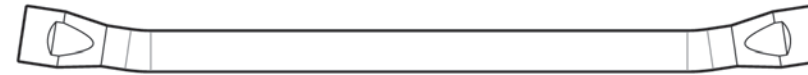
BRX90 Complete Front PHAT™ Axle LEAF Ver.  
#BRX020022LF



**KUDU™**  
Nylon Rod End  
(Straight 18.5mm) x 2  
#BRW750306A



**BADASS™**  
Stainless Steel Pivot Ball x 2  
#BRW750306A



Stainless Steel Tie Rod x 1  
#BRD9022A

## B LEAFS / SHOCKS



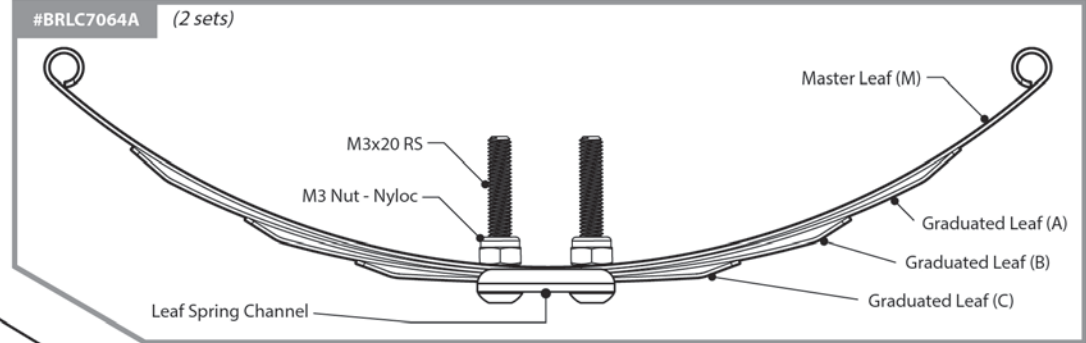
M4x16 SS x 2  
#BRASST4016



D4x7x1  
Nylon Spacer x 2  
#BRASSPD471/N

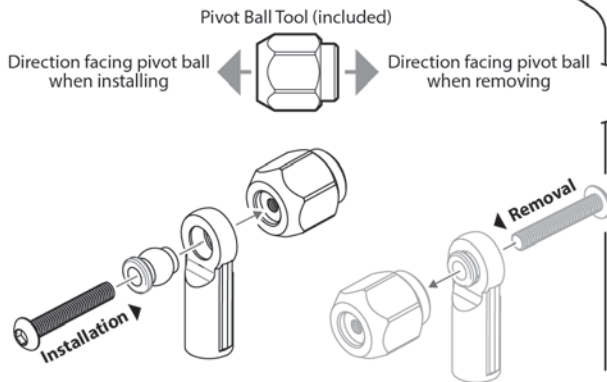


D6x1.5 O-Ring x 2  
#BRSORD6-15

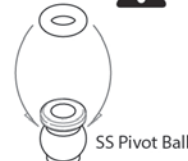


#BRLC7064A (2 sets)

## ROD END INSTALLATION



D6x1.5 O-Ring ⚠️



SS Pivot Ball



Nylon Rod End



D4x7x1 Nylon Spacer

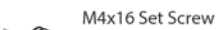


M4x16 Set Screw

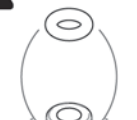
## TIE ROD

⚠️ O-ring helps reduce tie rod from wobbling.

⚠️ D6x1.5 O-Ring



M4x16 Set Screw



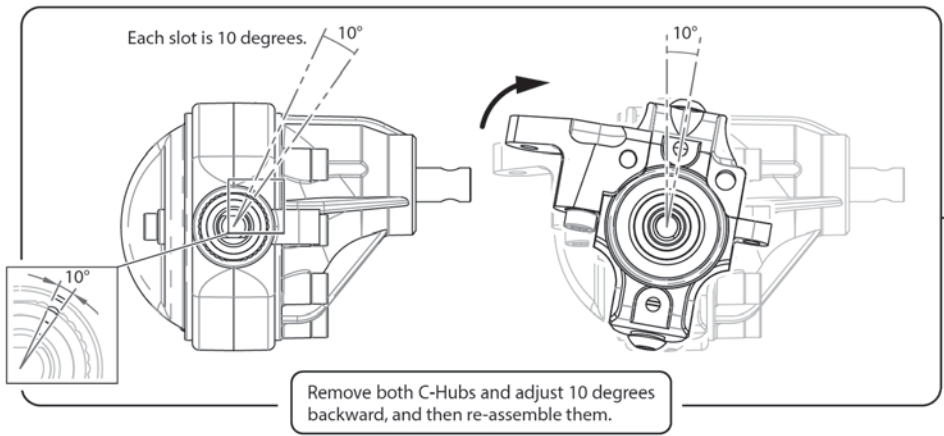
Stainless Steel  
Pivot Ball



D4x7x1 Nylon Spacer



Nylon Rod End



**1** Add thread lock to screws on moving parts.

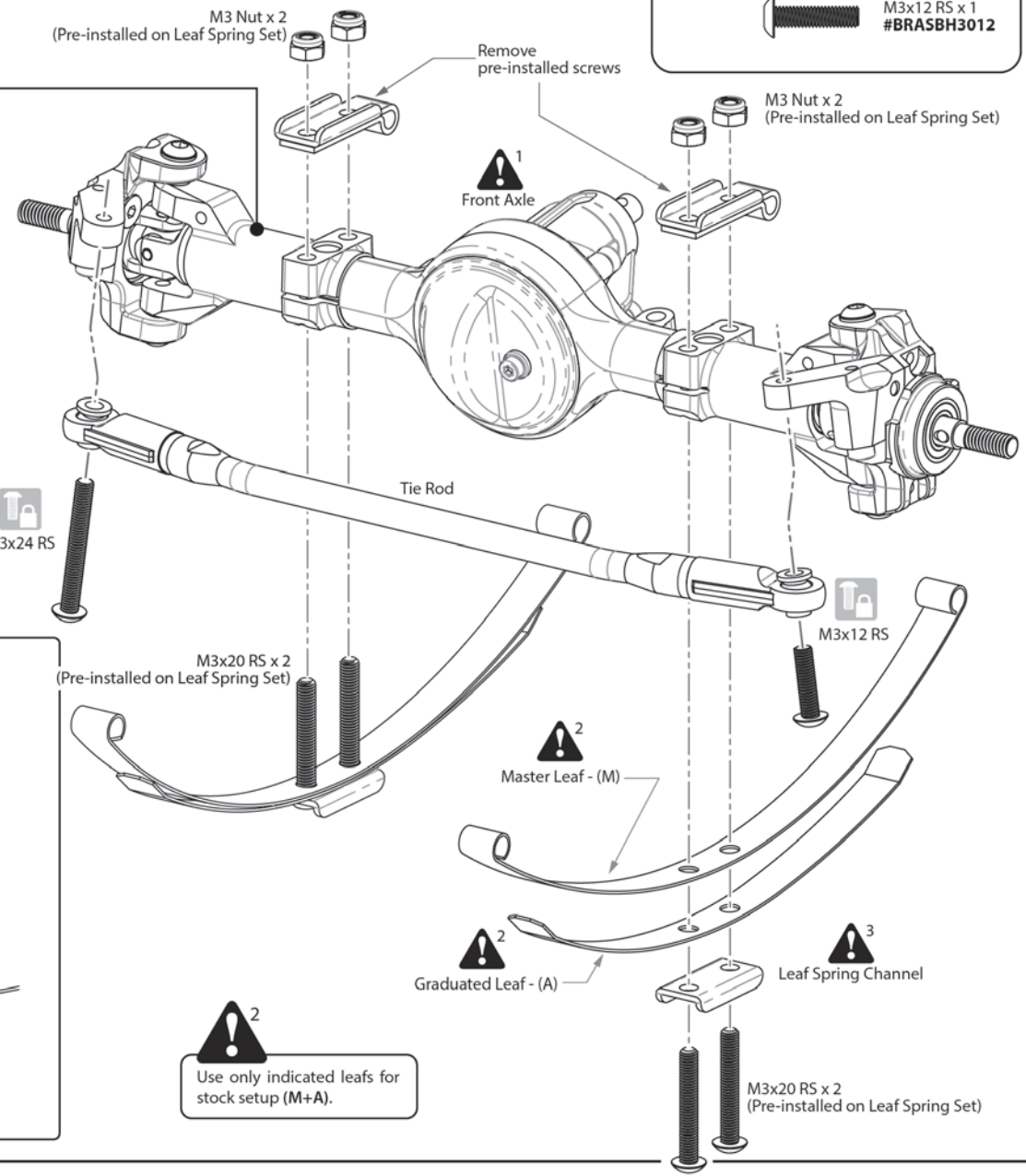
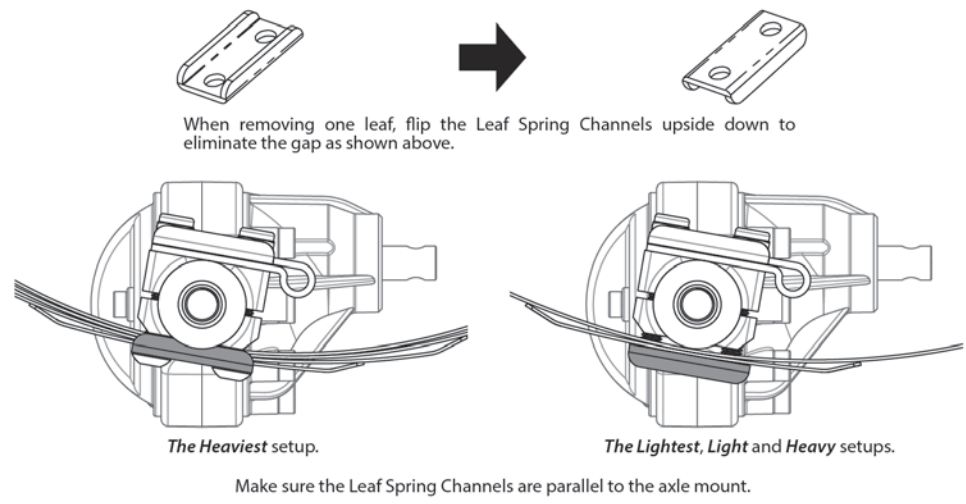
- B LEAFS / SHOCKS**
- M3x24 RS x 1 #BRASBH3024
  - M3x12 RS x 1 #BRASBH3012

**LEAF SPRING LOAD SETUP** **2**

| Weight   | # of Leafs | Lightest | Light       | Heavy       | Heaviest        |
|----------|------------|----------|-------------|-------------|-----------------|
| Heaviest | 4          |          |             |             | (M)+(A)+(B)+(C) |
| Heavy    | 3          |          | (M)+(B)+(C) | (M)+(A)+(C) | (M)+(A)+(B)     |
| Light    | 2          |          | (M)+(C)     | (M)+(B)     | (M)+(A)         |
| Lightest | 1          | (M)      |             |             |                 |

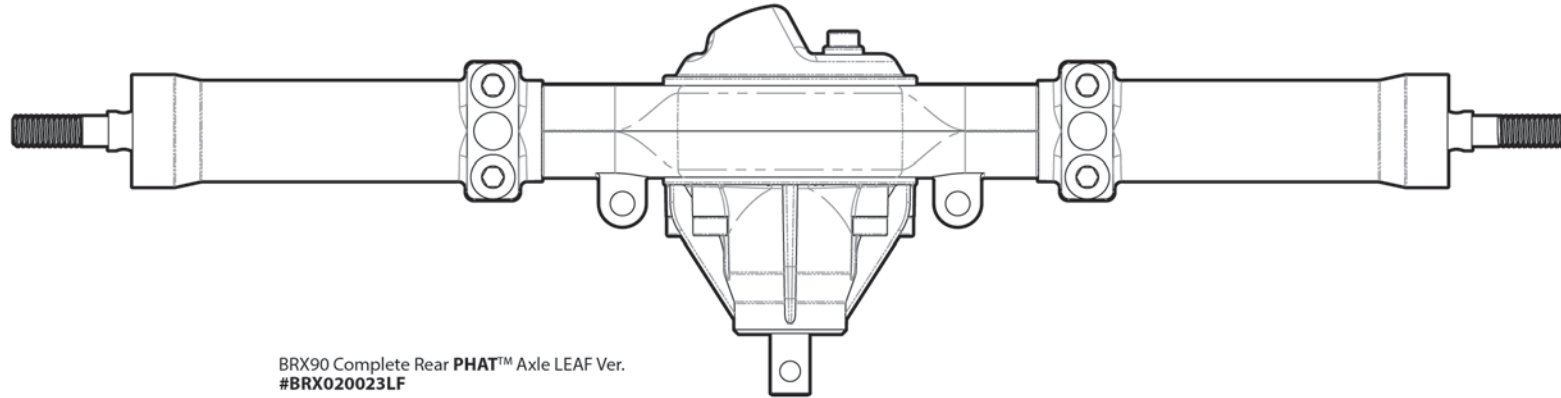
Recommended stock setup (Front).  
 Recommended stock setup (Rear).

**3** **LEAF SPRING CHANNELS**

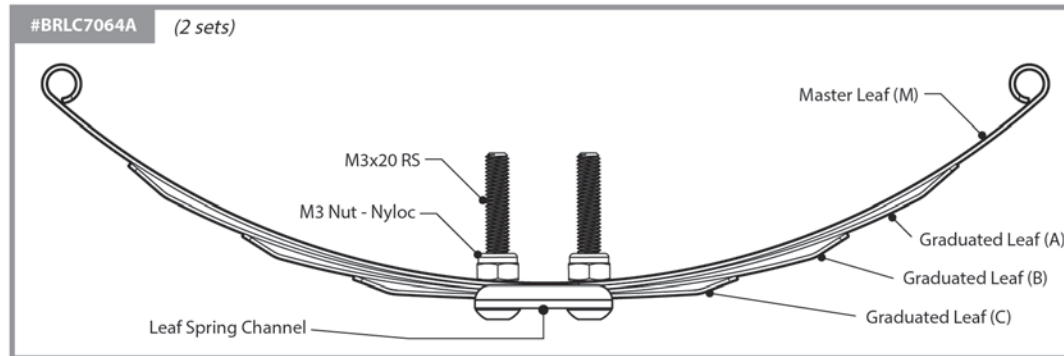


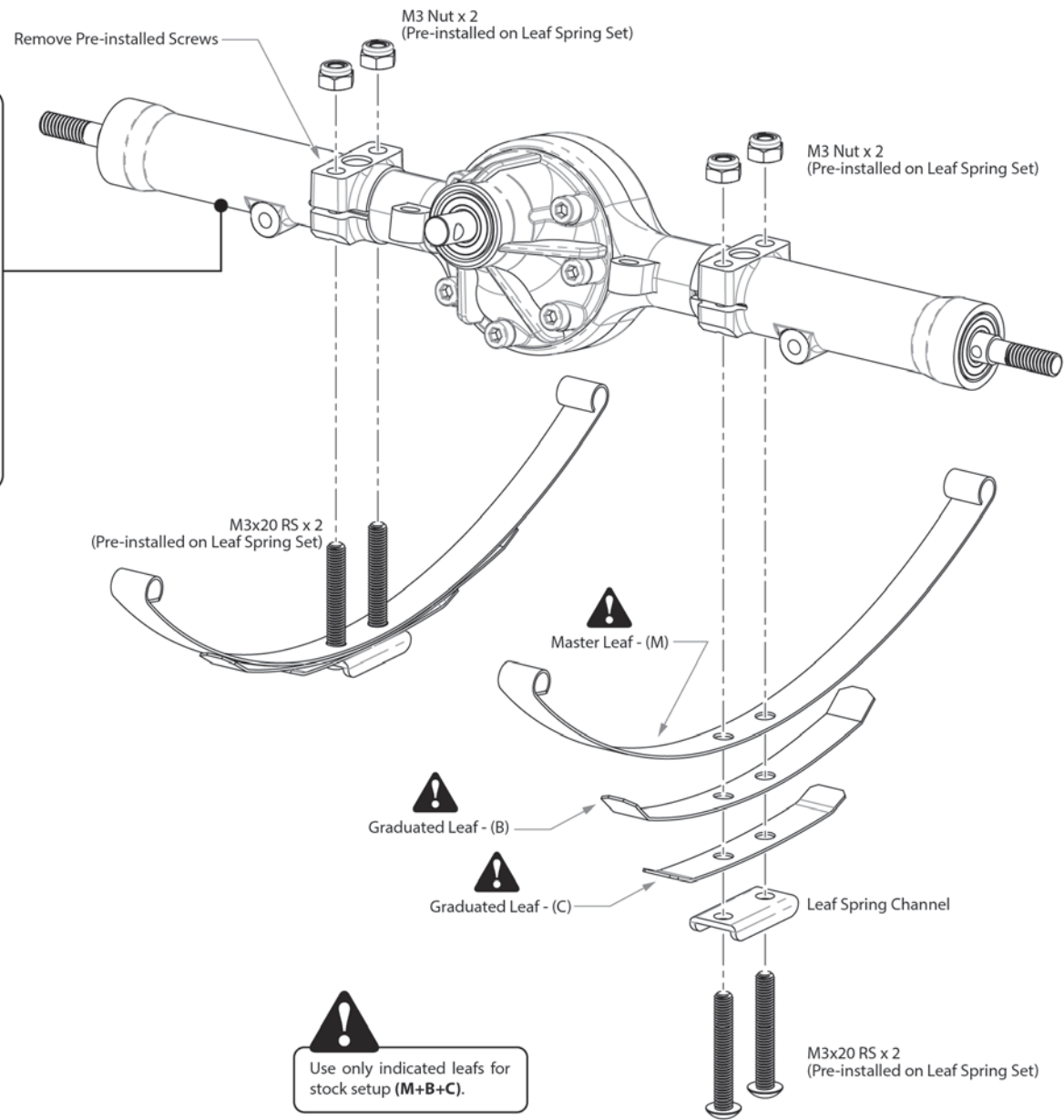
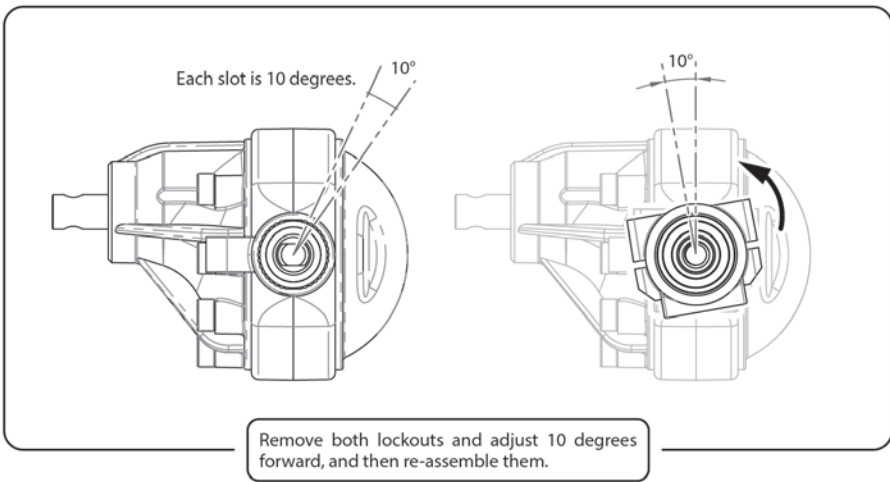
# 8 - REAR AXLE & LEAF SPRING

Parts Needed:



BRX90 Complete Rear PHAT™ Axle LEAF Ver.  
#BRX020023LF





**LEAF SPRING LOAD SETUP** ⚠

| Weight   | # of Leafs | Lightest | Light       | Heavy       | Heaviest        |
|----------|------------|----------|-------------|-------------|-----------------|
| Heaviest | 4          |          |             |             | (M)+(A)+(B)+(C) |
| Heavy    | 3          |          | (M)+(B)+(C) | (M)+(A)+(C) | (M)+(A)+(B)     |
| Light    | 2          |          | (M)+(C)     | (M)+(B)     | (M)+(A)         |
| Lightest | 1          | (M)      |             |             |                 |

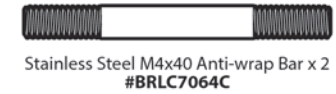
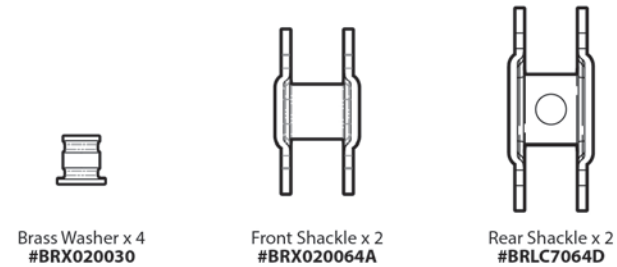
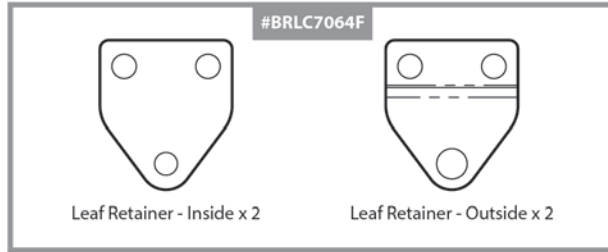
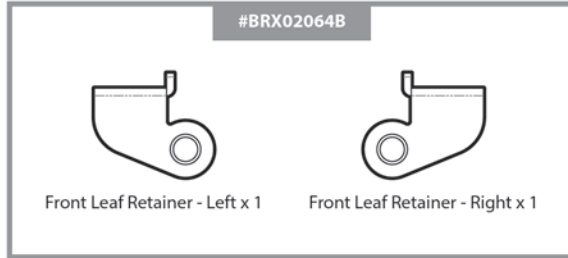
☐ Recommended stock setup (Front).  
 ☐ Recommended stock setup (Rear).

⚠ Use only indicated leaves for stock setup (M+B+C).

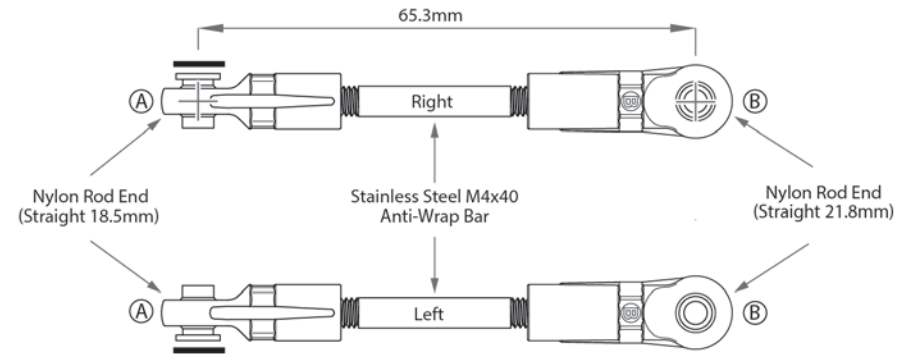


# 9 - LEAF SPRING SYSTEM

Parts Needed:



## REAR ANTI-WRAP BARS



**C LEAF SPRINGS**

M3x22 RS x 2  
#BRASBH3022

M3x12 RS x 2  
#BRASBH3012

M3x8 RS x 2  
#BRASBH3008

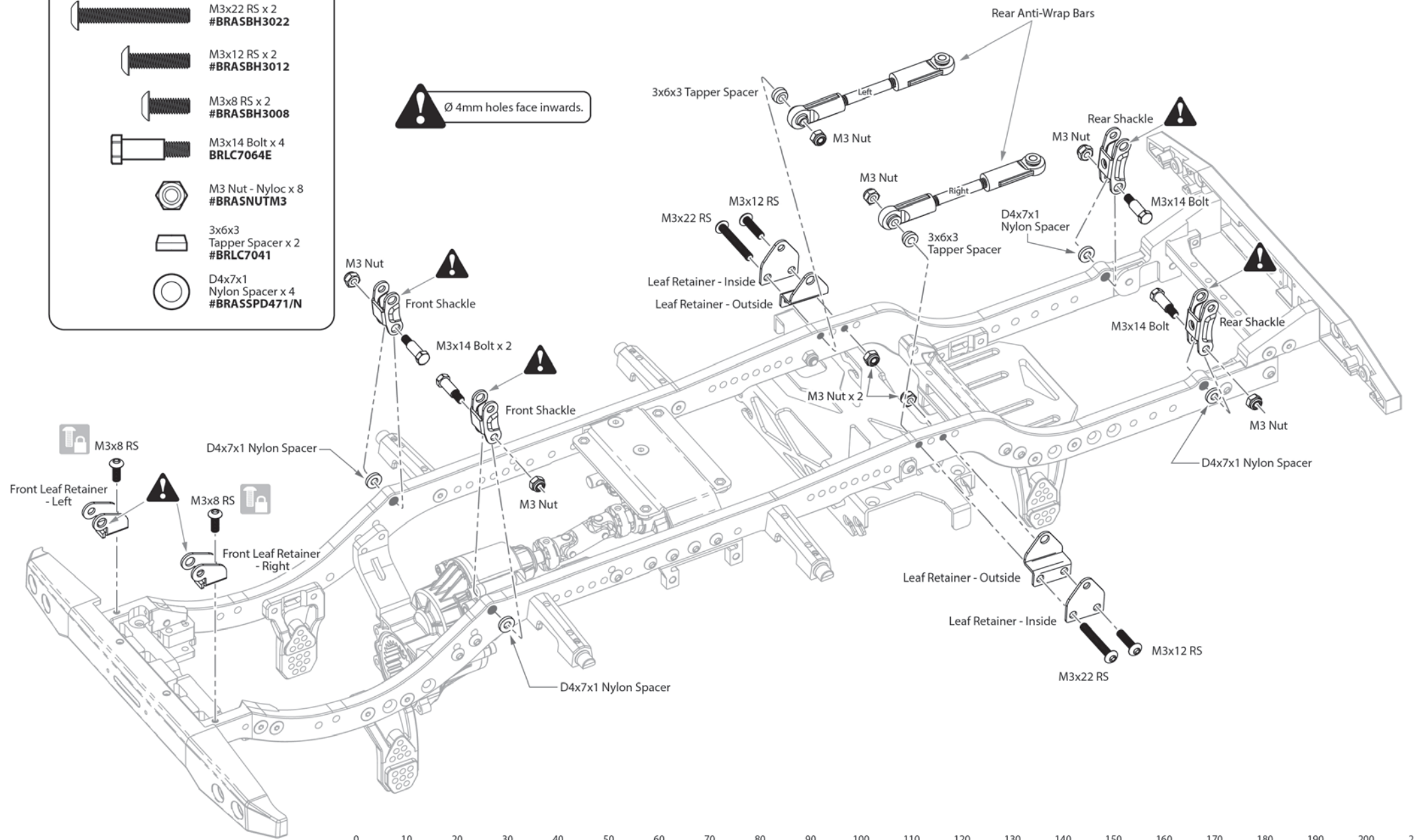
M3x14 Bolt x 4  
BRLC7064E

M3 Nut - Nyloc x 8  
#BRASNUTM3

3x6x3  
Tapper Spacer x 2  
#BRLC7041

D4x7x1  
Nylon Spacer x 4  
#BRASSPD471/N

⚠️ Ø 4mm holes face inwards.



LEAF SPRING SYSTEM

LEAF SPRING SYSTEM

**BRX02**



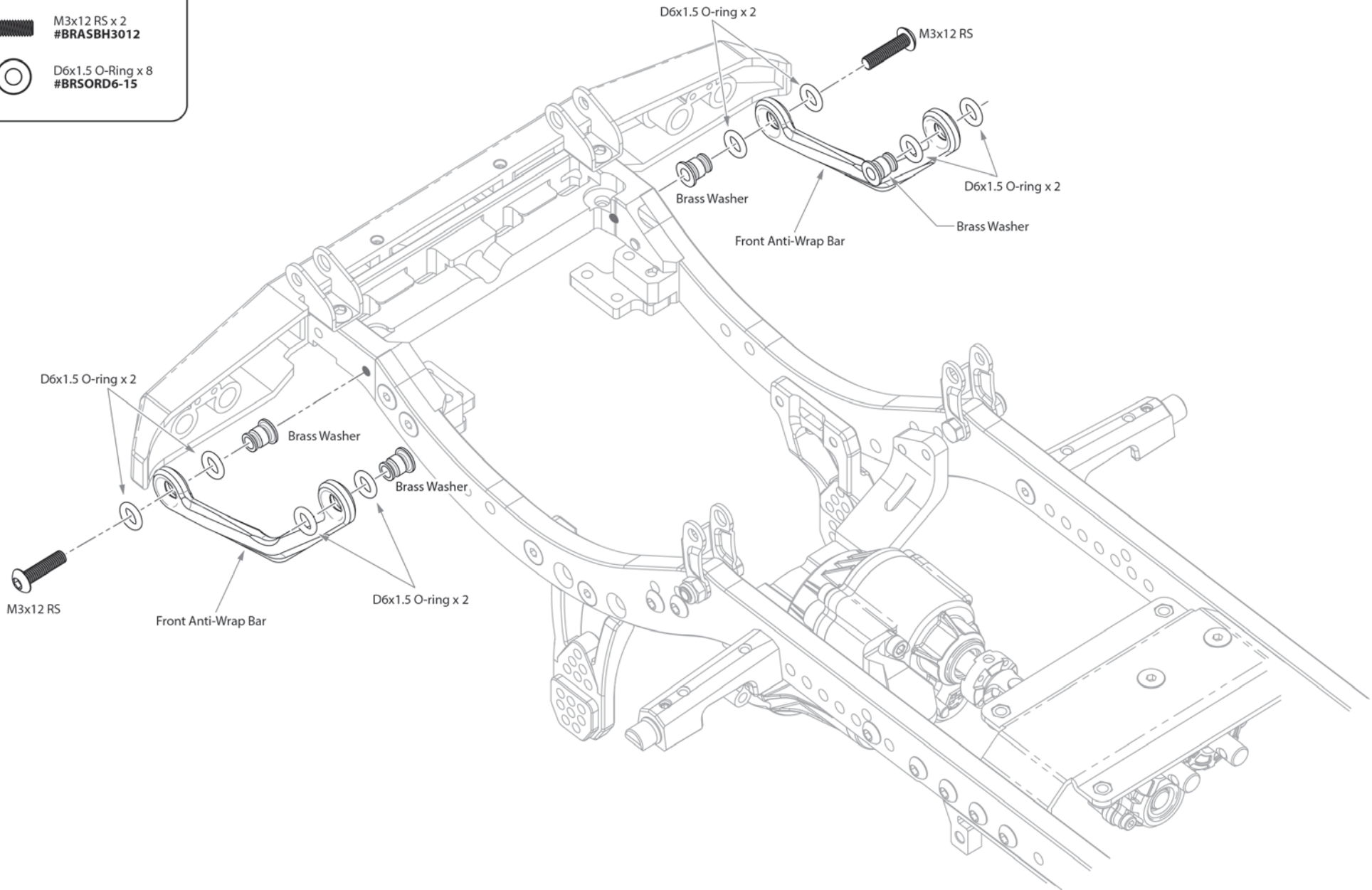
**C LEAF SPRINGS**



M3x12 RS x 2  
#BRASBH3012



D6x1.5 O-Ring x 8  
#BRSORD6-15



LEAF SPRING SYSTEM

LEAF SPRING SYSTEM

# 10 - SHOCKS

Parts Needed:



KUDU™ 90mm Scale Shock Absorber x 4  
#BRSH0090



Shock End Pivot x 8  
#BRW750310



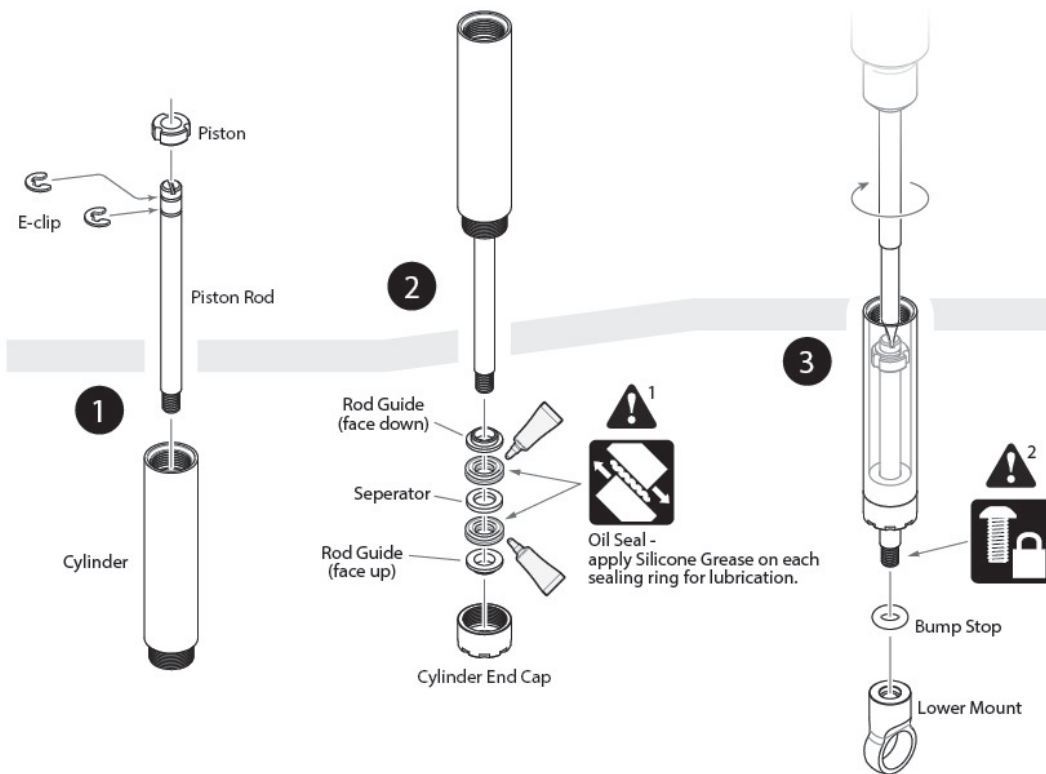
Joint Retainer x 8  
#BRSHJR

## SHOCKS INSTALLATION & SETUP

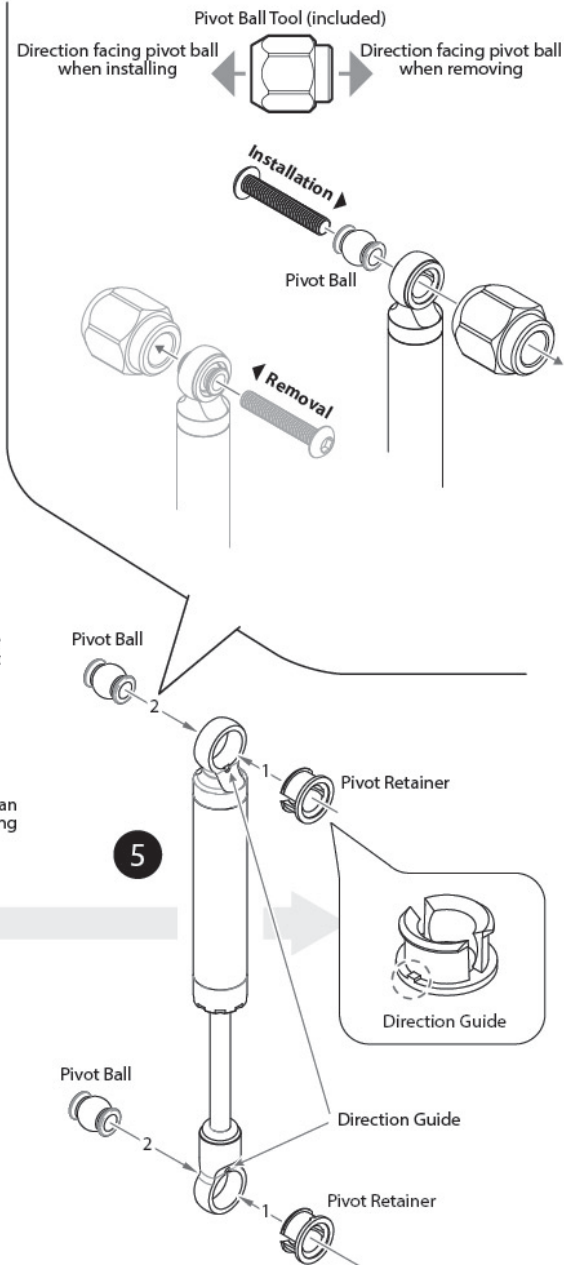


Pay attention to cautions 1, 2 and 3.

Use a slotted screwdriver (not provided) to secure piston rod into lower mount.






## PIVOT BALL INSTALLATION & REMOVAL





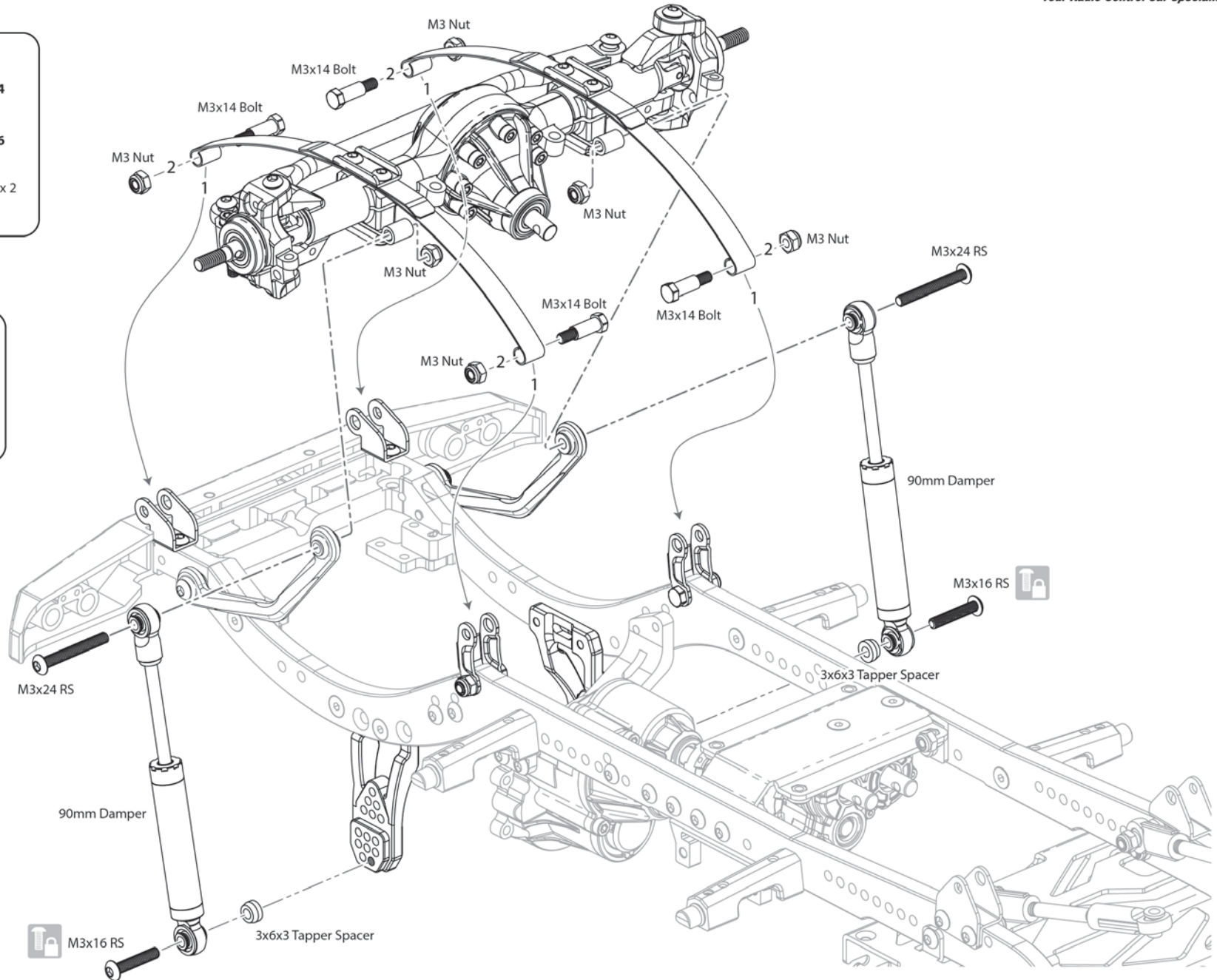


**B LEAFS / SHOCKS**


-  M3x24 RS x 2  
#BRASBH3024
-  M3x16 RS x 2  
#BRASBH3016
-  3x6x3  
Tapper Spacer x 2  
#BRLC7041

**C LEAF SPRINGS**

-  M3x14 Bolt x 4  
BRLC7064E
-  M3 Nut - Nyloc x 6  
#BRASNUTM3

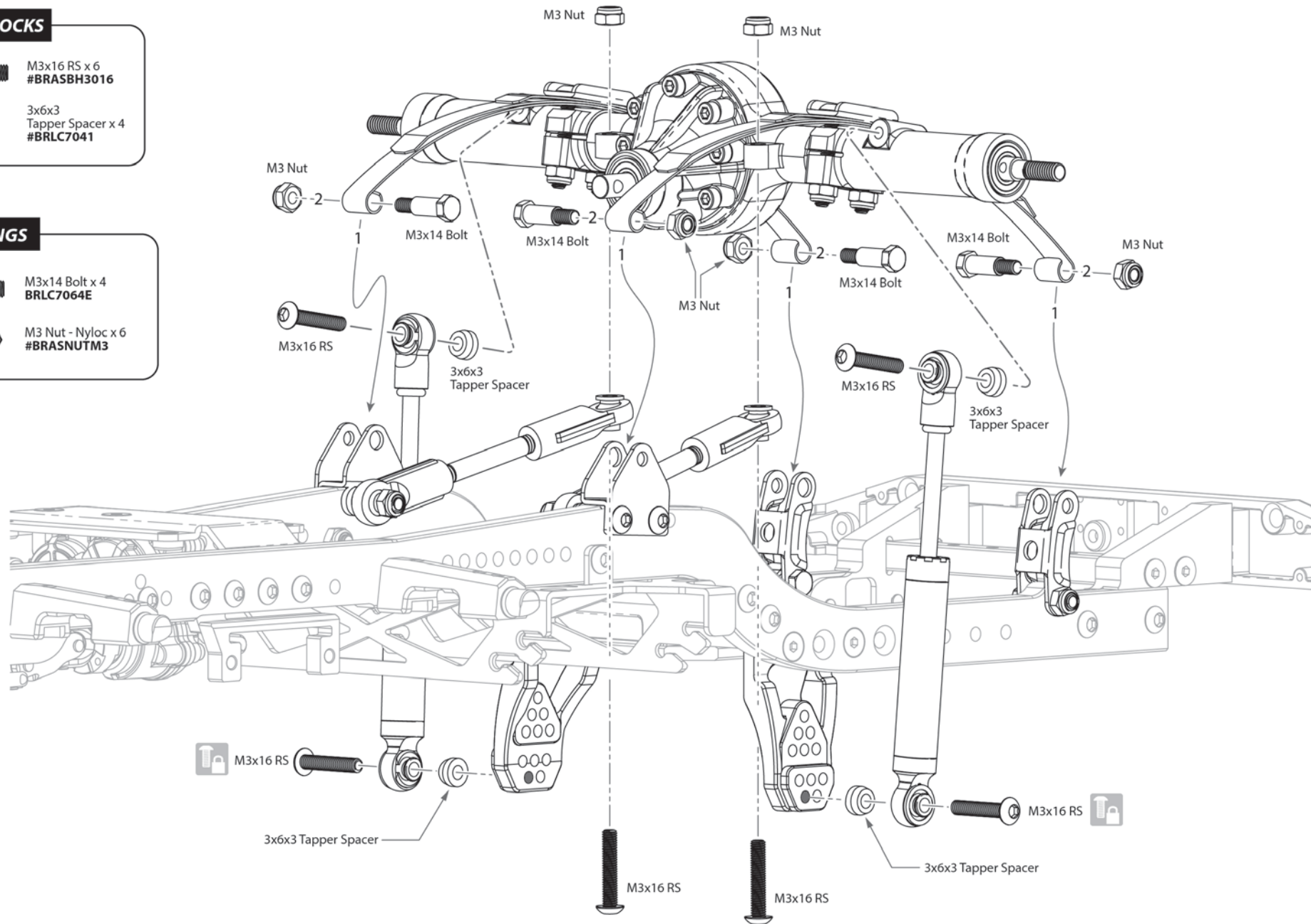


**B LEAFS / SHOCKS**

-  M3x16 RS x 6  
#BRASBH3016
-  3x6x3  
Tapper Spacer x 4  
#BRLC7041

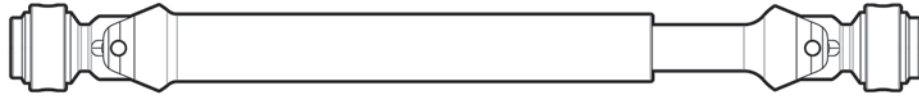
**C LEAF SPRINGS**

-  M3x14 Bolt x 4  
BRLC7064E
-  M3 Nut - Nyloc x 6  
#BRASNUTM3



# 11 - DRIVE SHAFTS

Parts Needed:



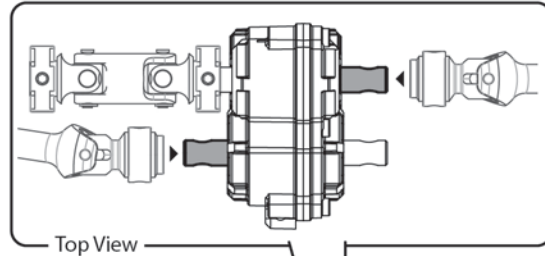
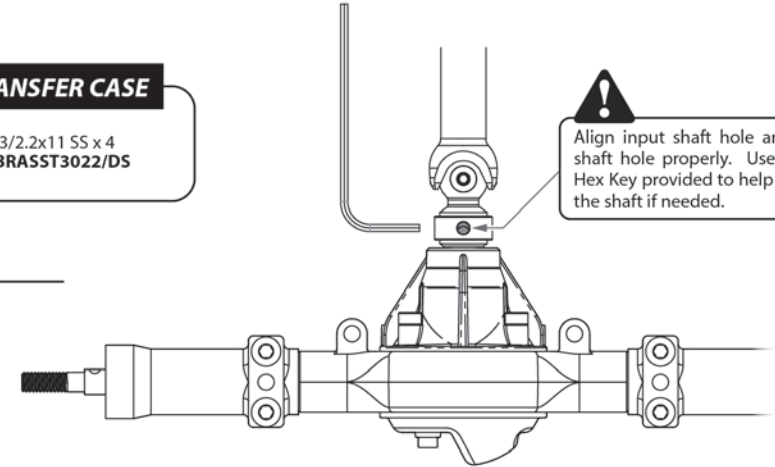
KUDU™ HD CVD Center Drive Shaft x 2  
#BRX020043

## E GEARBOX / TRANSFER CASE

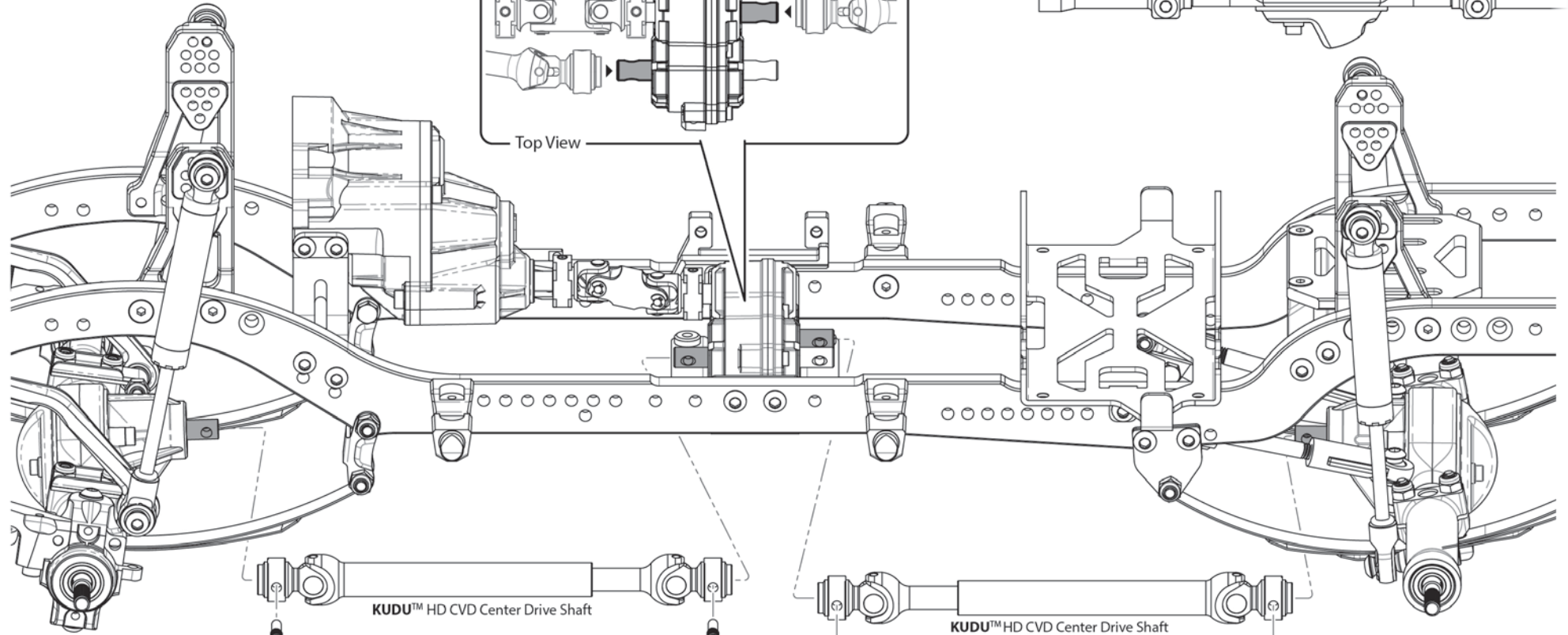


M3/2.2x11 SS x 4  
#BRASST3022/DS

**!**  
Align input shaft hole and drive shaft hole properly. Use the 1.5 Hex Key provided to help pull out the shaft if needed.



Top View



KUDU™ HD CVD Center Drive Shaft

KUDU™ HD CVD Center Drive Shaft

M3/2.2x11 Set Screw x 2

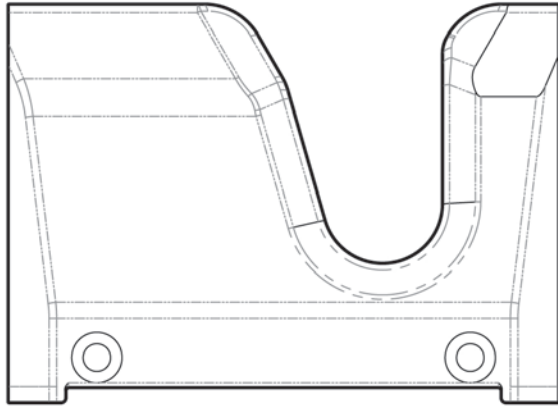
M3/2.2x11 Set Screw x 2

DRIVE SHAFTS

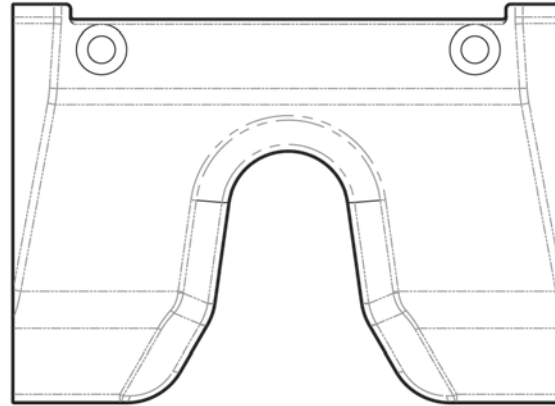
DRIVE SHAFTS

# 12 - SERVOS & SKID SLIDER

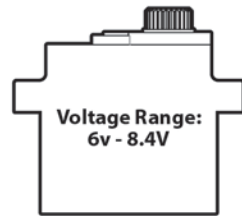
Parts Needed:



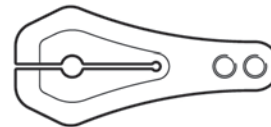
Front Center Skid Slider x 1  
#BRX020072F



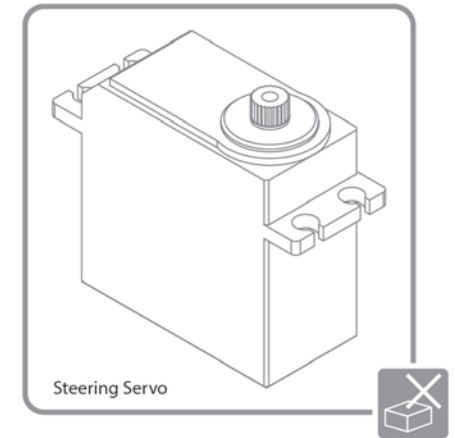
Rear Center Skid Slider x 1  
#BRX020072R



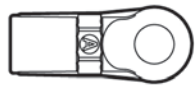
Voltage Range:  
6v - 8.4V  
JX Waterproof HV Mini Servo x 1  
#JX/PDI-HV1151MG



Servo Horn B - 25T x 1  
#BRLC7055



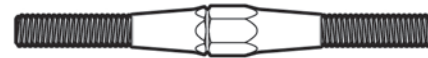
Steering Servo



KUDU™  
Nylon Rod End (Straight 18.5mm) x 2  
#BRW750306A



BADASS™  
Stainless Steel Pivot Ball x 2  
#BRW750300



Fine Tunable Link - 55mm x 1  
#BRLC7050



**H SERVOS**

M3x6 RS x 6  
#BRASBH3006

JX Waterproof HV Mini Servo

M3x6 RS x 2



M3x6 RS x 4

Steering Servo

**JX Waterproof High Voltage Mini Servo Specs:**

|                      |   |
|----------------------|---|
| Model:               | JX/PDI-HV1151MG                         |
| Working voltage:     | 6V~8.4V                                 |
| Working temperature: | -20C°~ +60C°                            |
| Dead band:           | 4usec                                   |
| Motor type:          | Core Motor                              |
| Signal booster type: | Digital                                 |
| Gear material:       | Metal gear                              |
| Operating Speed:     | 0.12s/60deg (6.0V)   0.10s/60deg (8.4V) |
| Stall Torque:        | 3.5kg/cm (6.0V)   4.5kg/cm (8.4V)       |
| Idle Current:        | 150mA (6.0V)   180mA (8.4V)             |
| Load Current:        | 260mA (6.0V)   340mA (8.4V)             |
| Size:                | 23.2 x 12.5 x 25.6mm                    |
| Weight:              | 15g                                     |
| Tooth Count:         | 25                                      |
| Wire length:         | 310mm JR plug                           |
| Black:               | Negative                                |
| Red:                 | Positive                                |
| White:               | Signal                                  |


**A CHASSIS**

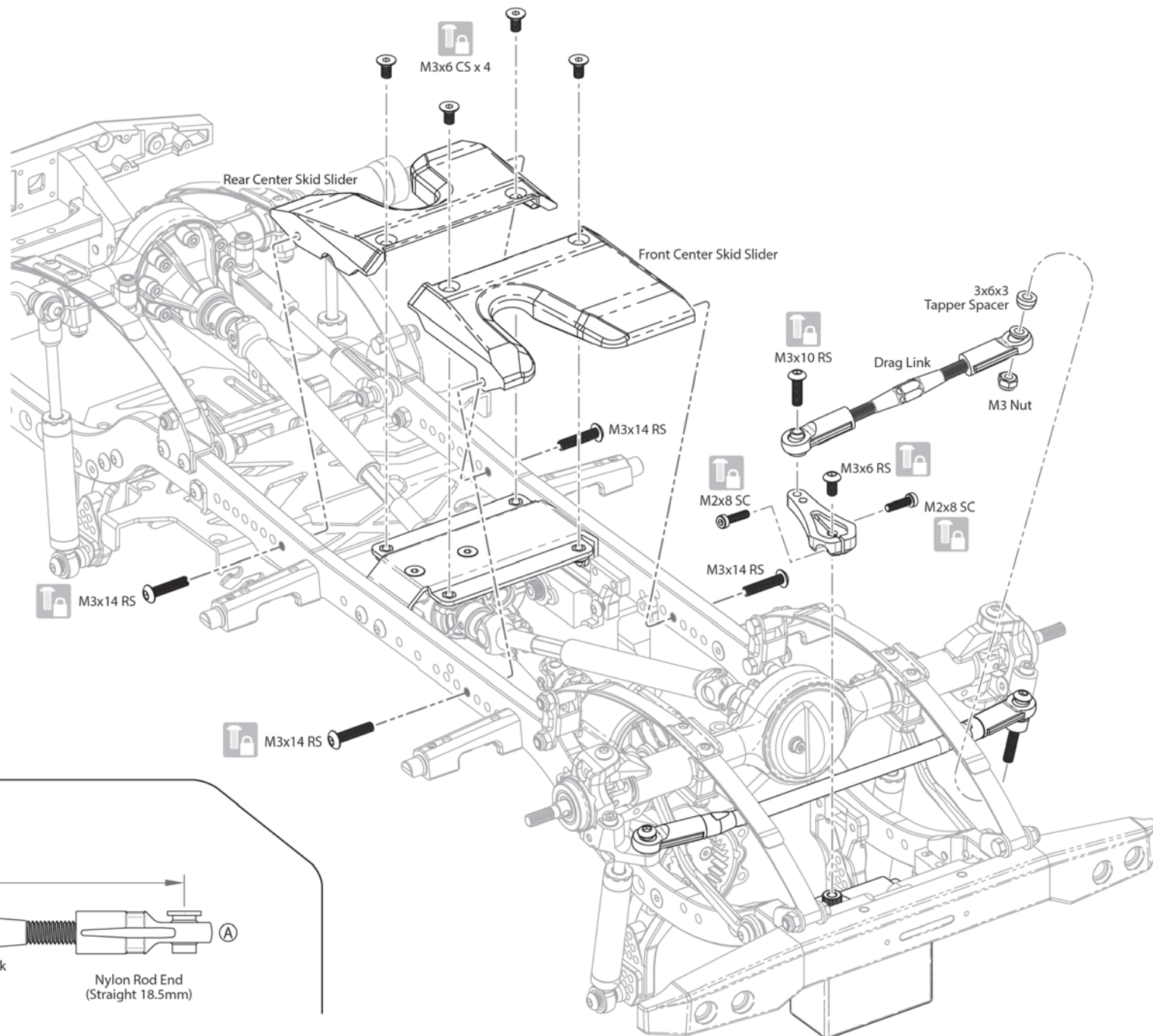
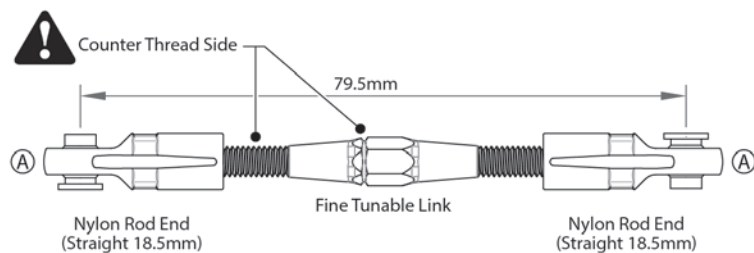
-  M3x14 RS x 4  
#BRASBH3014
-  M3x6 RS x 4  
#BRASCH3006

**B LEAFS / SHOCKS**

-  M3x10 RS x 1  
#BRASBH3010
-  M3 Nut - Nyloc x 1  
#BRASNUTM3
-  3x6x3  
Tapper Spacer x 1  
#BRLC7041

**H SERVOS**

-  M3x6 RS x 1  
#BRASBH3006
-  M2x8 SC x 2  
#BRASCH2008

**DRAG LINK**

# 13 - SHIFT ROD

Parts Needed:

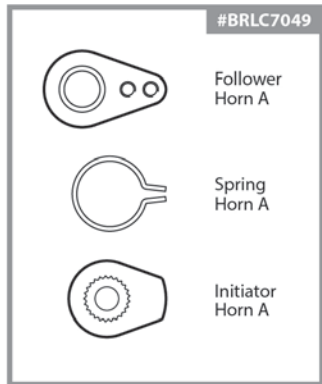


Shift Rod x 1  
#BRX020051



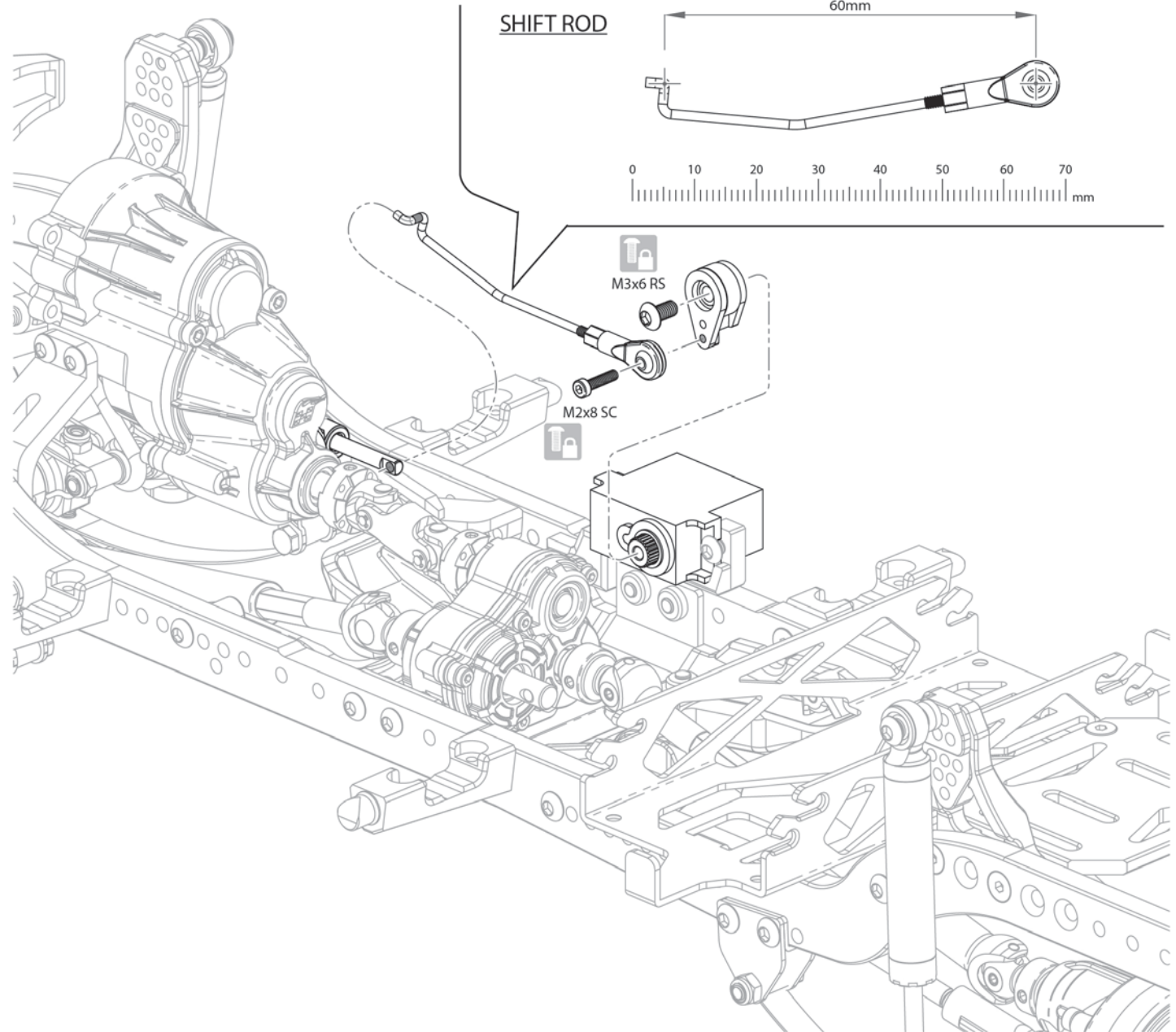
D2 Ball & Rod End x 1  
#BRQ90351

## H SERVOS



M3x6 RS x 1  
#BRASBH3006

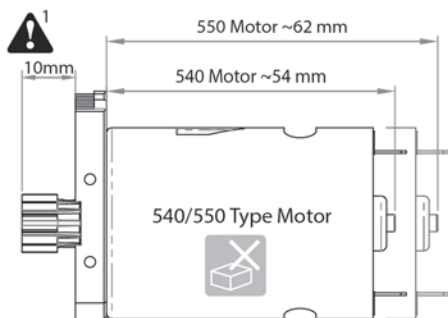
M2x8 SC x 1  
#BRASCH2008



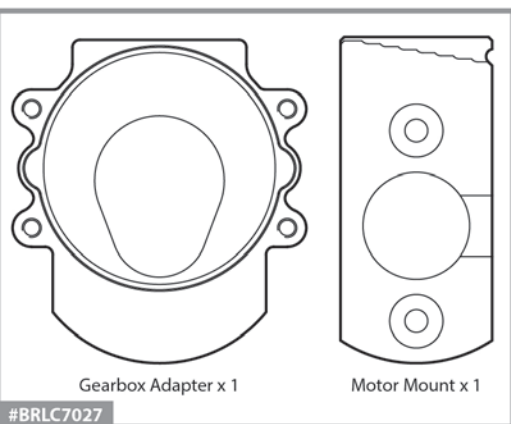


# 14 - MOTOR

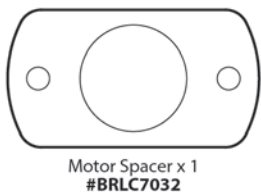
## Parts Needed:



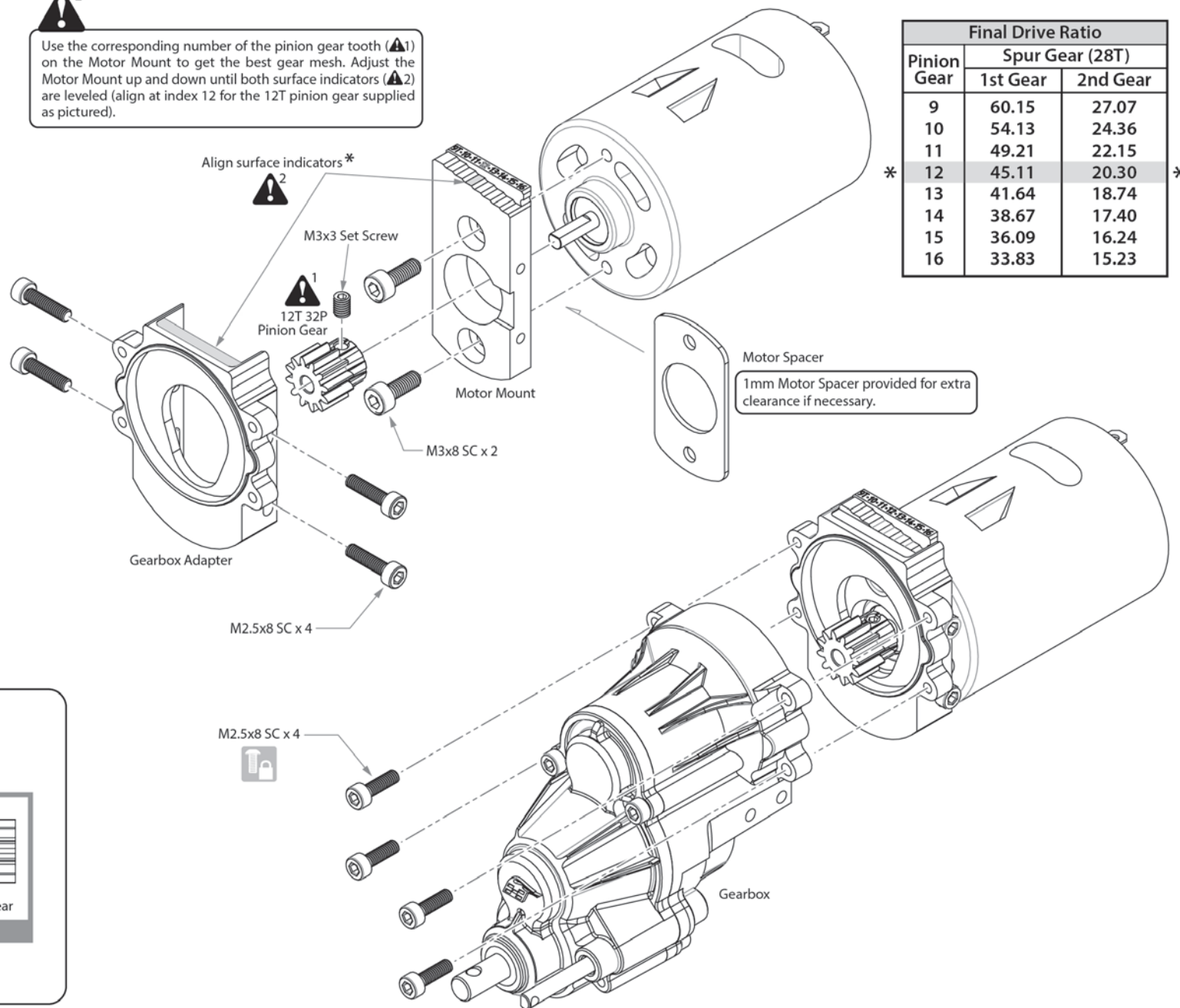
540/550 type motors can be used on BRX02.



## E GEARBOX / TRANSFER CASE



**2**  
 Use the corresponding number of the pinion gear tooth (1) on the Motor Mount to get the best gear mesh. Adjust the Motor Mount up and down until both surface indicators (2) are leveled (align at index 12 for the 12T pinion gear supplied as pictured).



| Pinion Gear | Final Drive Ratio |          |
|-------------|-------------------|----------|
|             | Spur Gear (28T)   |          |
|             | 1st Gear          | 2nd Gear |
| 9           | 60.15             | 27.07    |
| 10          | 54.13             | 24.36    |
| 11          | 49.21             | 22.15    |
| 12          | 45.11             | 20.30    |
| 13          | 41.64             | 18.74    |
| 14          | 38.67             | 17.40    |
| 15          | 36.09             | 16.24    |
| 16          | 33.83             | 15.23    |

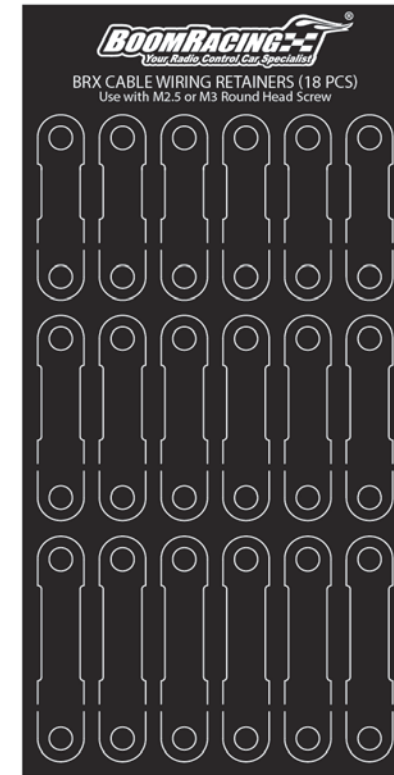
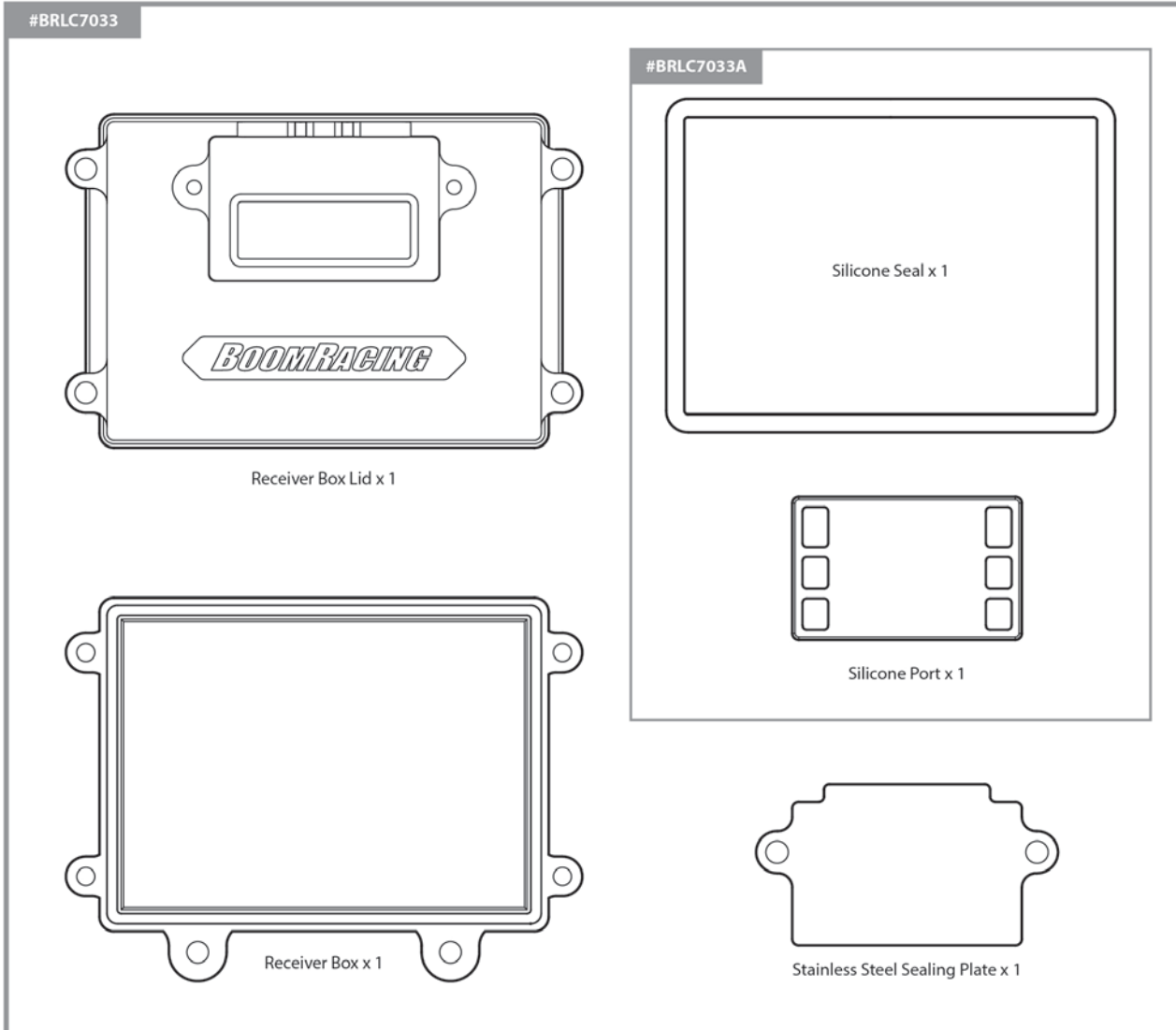
MOTOR

MOTOR

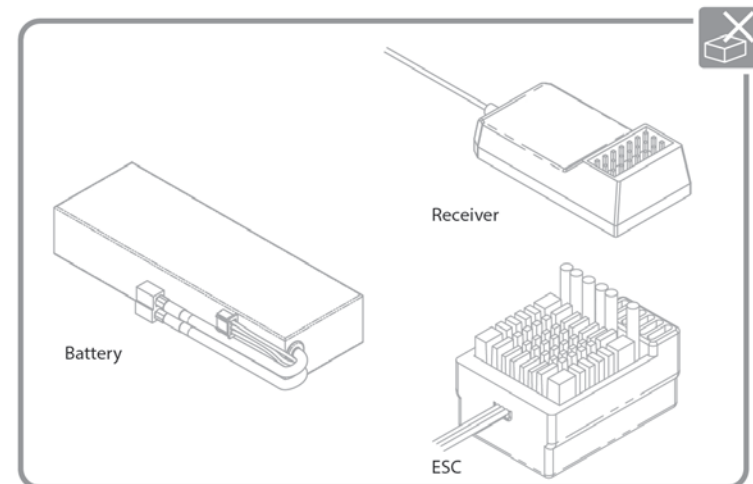


# 15 - RECEIVER BOX & ELECTRONICS INSTALLATION

Parts Needed:

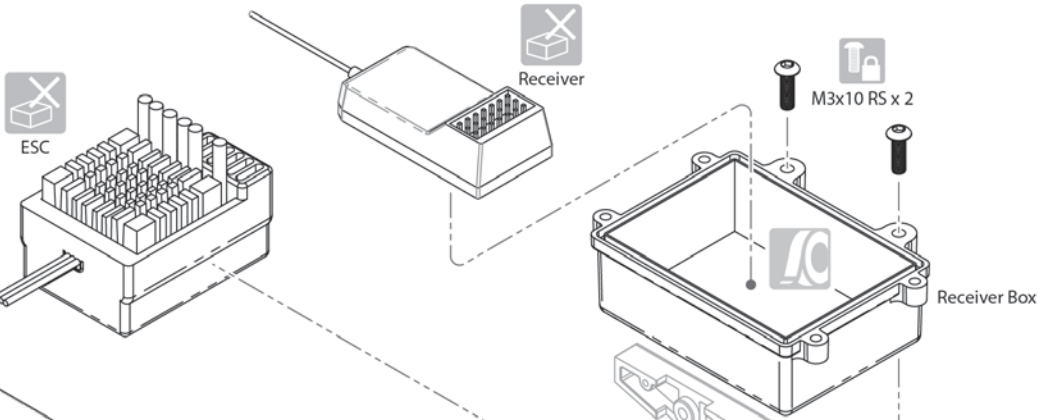


Cable Wiring Retainers  
#BRT10037



**F RECEIVER BOX**

M3x10 RS x 2  
#BRASBH3010

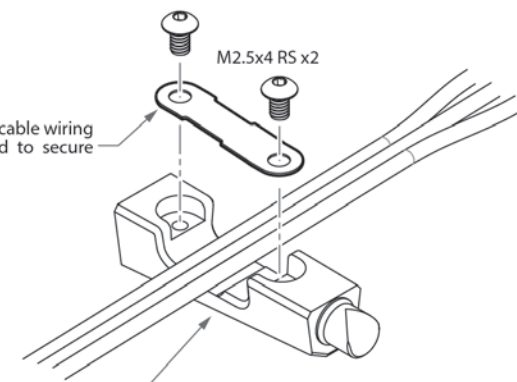


**A CHASSIS**

M2.5x4 RS x 8  
#BRASBH2504

**CABLE WIRING RETAINER**

Use the shortest cable wiring retainer provided to secure cables.



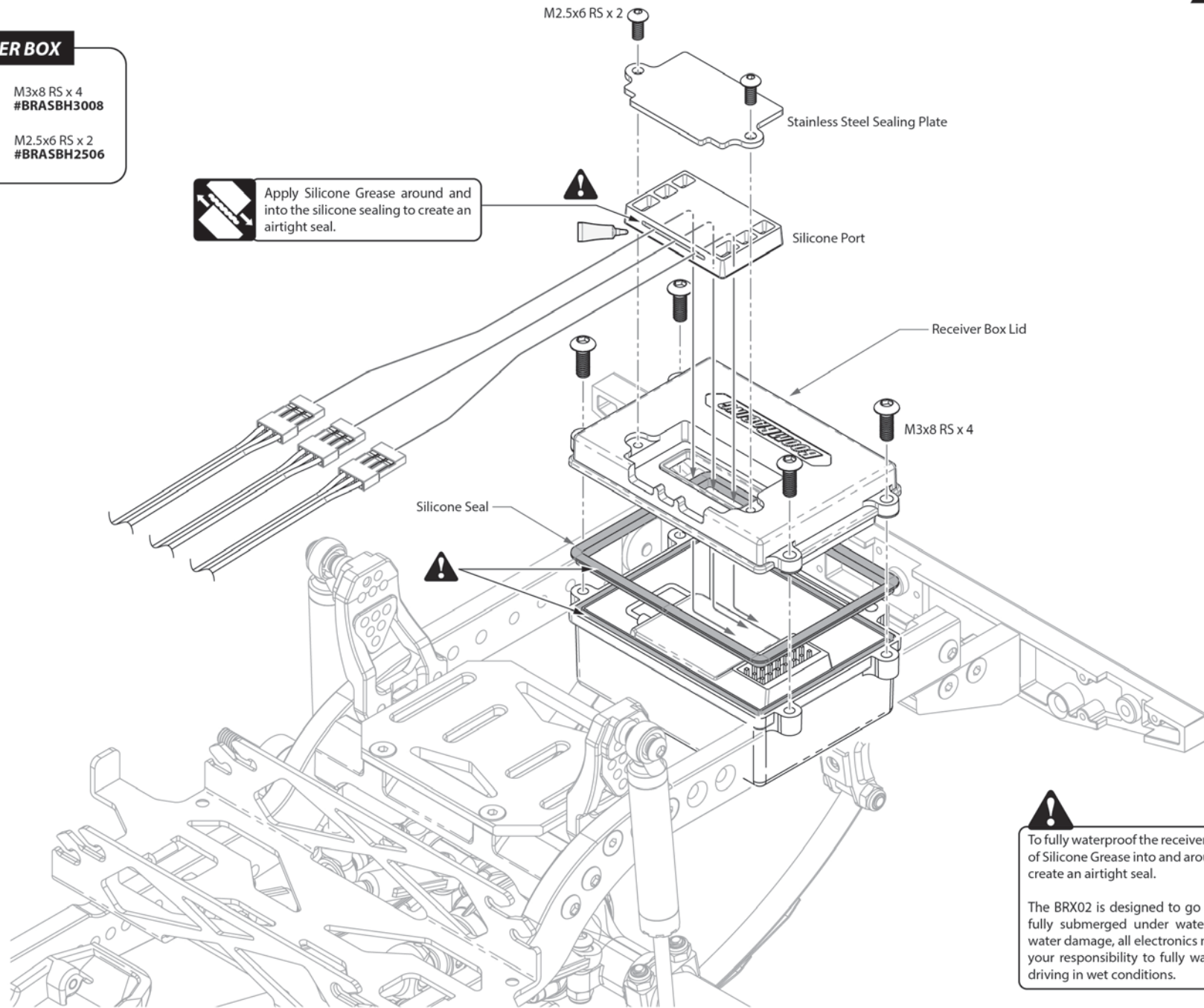
The recessed shape on body post is designed for cable routing.

**F RECEIVER BOX**

M3x8 RS x 4  
#BRASBH3008

M2.5x6 RS x 2  
#BRASBH2506

Apply Silicone Grease around and into the silicone sealing to create an airtight seal.

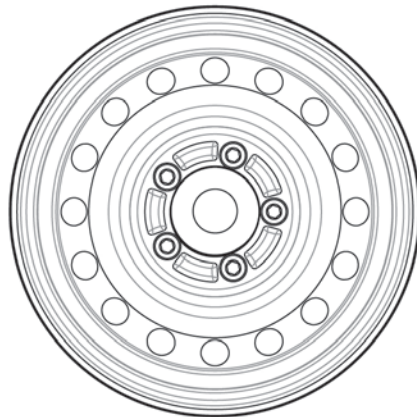
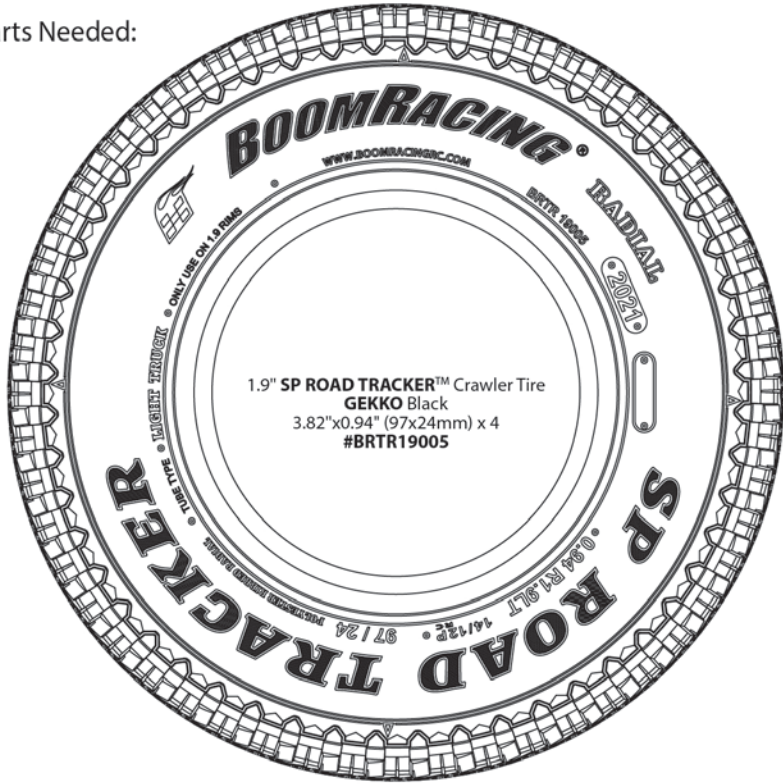


**!** To fully waterproof the receiver box, apply a generous amount of Silicone Grease into and around the two silicone sealings to create an airtight seal.

The BRX02 is designed to go anywhere. This includes being fully submerged under water. To protect electronics from water damage, all electronics must be fully waterproofed. It is your responsibility to fully waterproof all electronics before driving in wet conditions.

# 16 - WHEELS & TIRES

Parts Needed:



1.9" Narrow 16-Hole Classic Steelie Reversible Beadlock Wheels (Gun Metal) x 4  
 #BRW780920GM  
 with XT500 (#BRXT500V2) Wheel Hub



S100 Scale Center Wheel Hub Cap x 4  
 #BRW780923

## C LEAF SPRINGS



M2.5x14 RS x 2  
 #BRASBH2514



2.5 Nut x 2  
 #BRASNUTM25

## D WHEELS



M4 Nut - Nyloc x 4  
 #BRASNUTM4

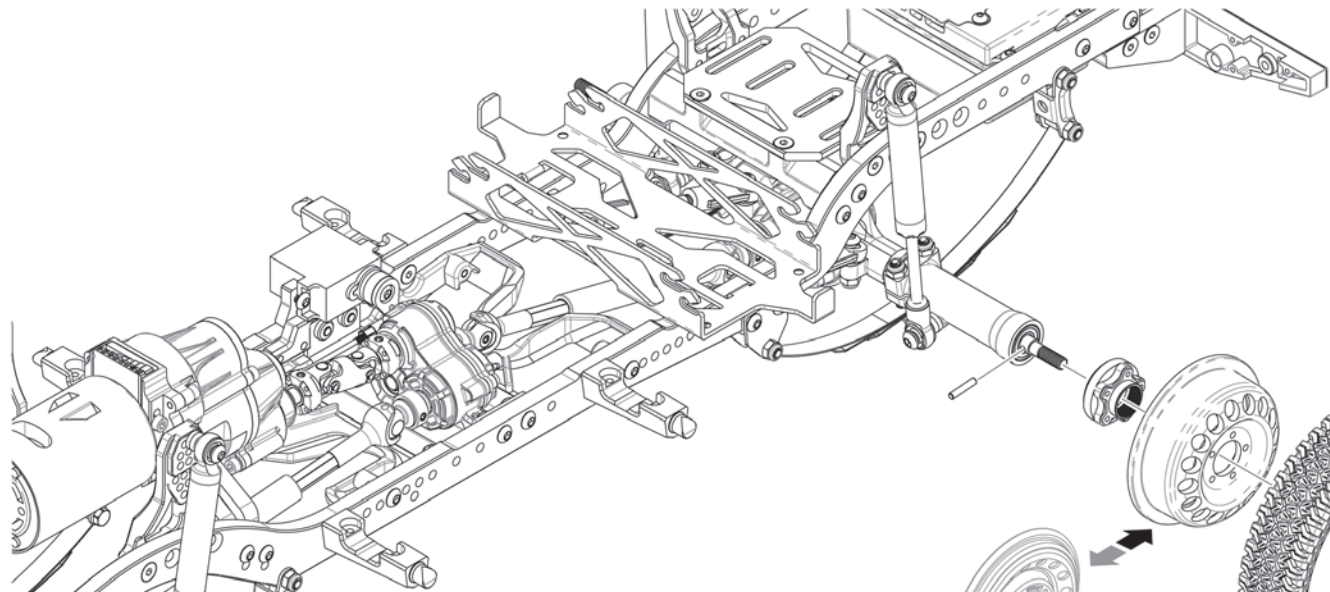


2x10mm Pin x 4  
 #BRASPIN210

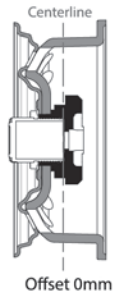
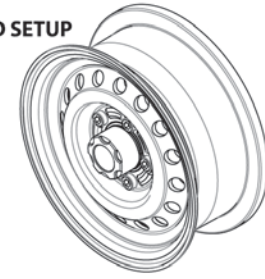


D4x7x3  
 Aluminum Spacer x 4  
 #BRASSP473

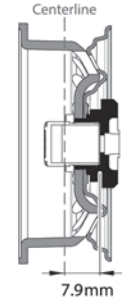
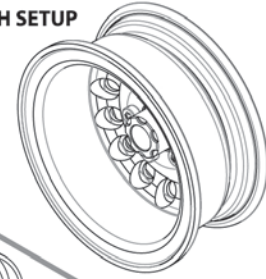




STANDARD SETUP



DEEP DISH SETUP



DEEP DISH SETUP

DEEP DISH SETUP

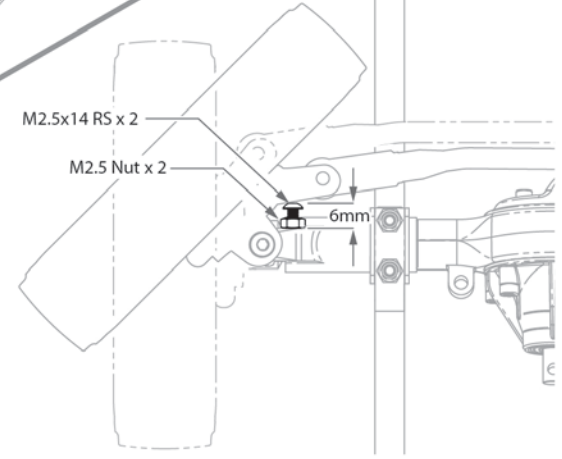
DEEP DISH SETUP

DEEP DISH SETUP

1  
Evenly distribute foam within the tire interior before installing beadlock ring.

2

STEERING ANGLE LIMITER



D2x10 Pin

XT500 5-Lug  
Aluminum 12mm Wheel Hub Adapter  
0mm Offset V2  
#BRXT500V2

Wheel Back Piece  
#BRW780920B (Narrow)

SP ROAD TRACKER™ Tire

Wheel Center Piece  
#BRW780920C (Narrow)

Front Faceplate  
#BRW780919A

M2x10 SC x 5  
#BRASCH2010

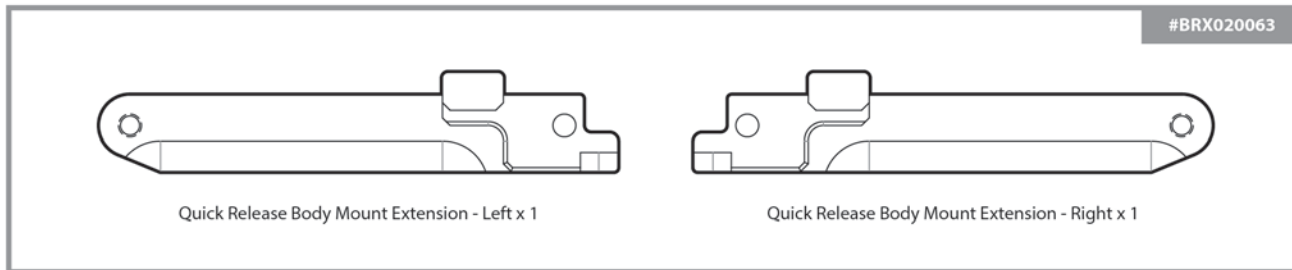
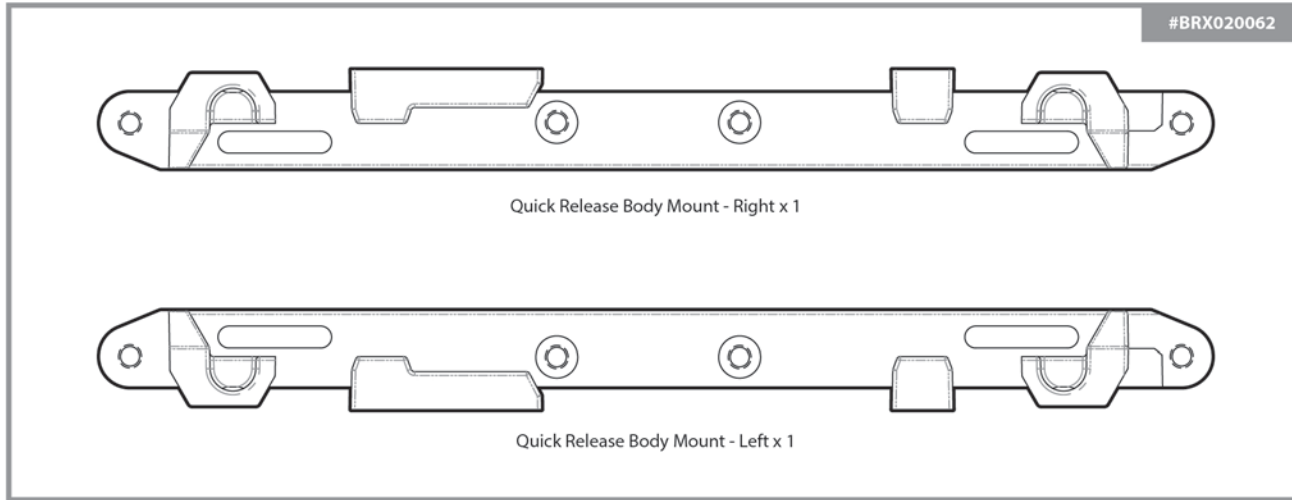
D4x7x3  
Aluminum Spacer  
#BRASSP473

M4 Nut






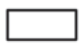
S100 Scale Center Wheel Hub Cap  
#BRW780923

# 17 - BODY MOUNT

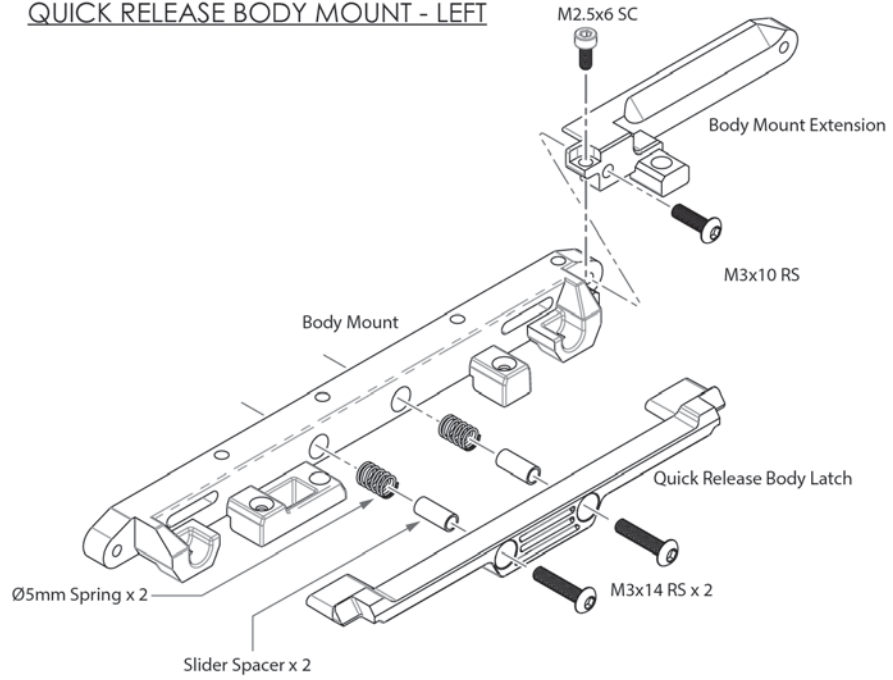
Parts Needed:



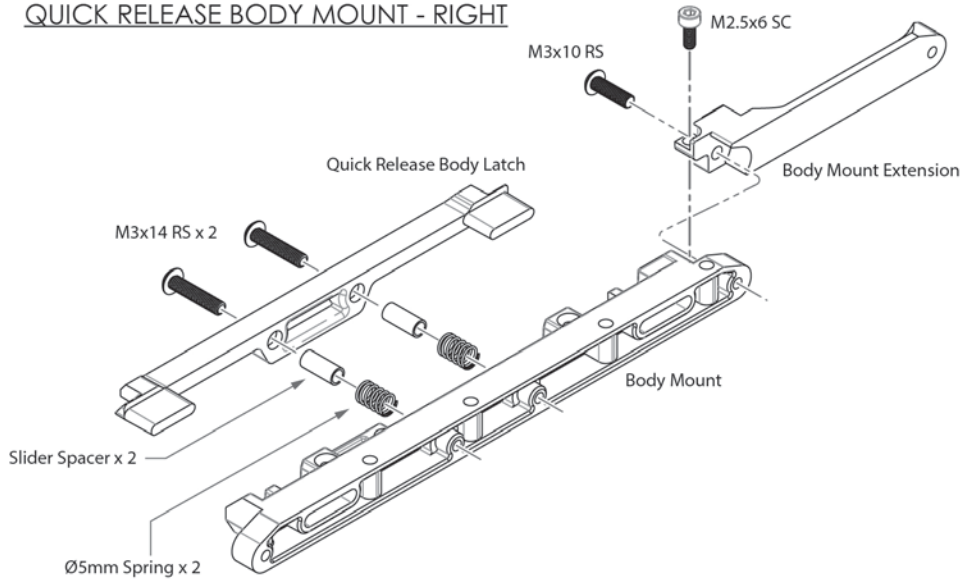
## G BODY MOUNTS

-  M3x14 RS x 4  
#BRASBH3014
-  M3x10 RS x 2  
#BRASBH3010
-  M3x8 RS x 4  
#BRASBH3008
-  M2.5x6 SC x 2  
#BRASCH2506
-  Ø5mm Spring x 4  
#BRASSPRING05510
-  Slider Spacer x 4  
#BRX020035

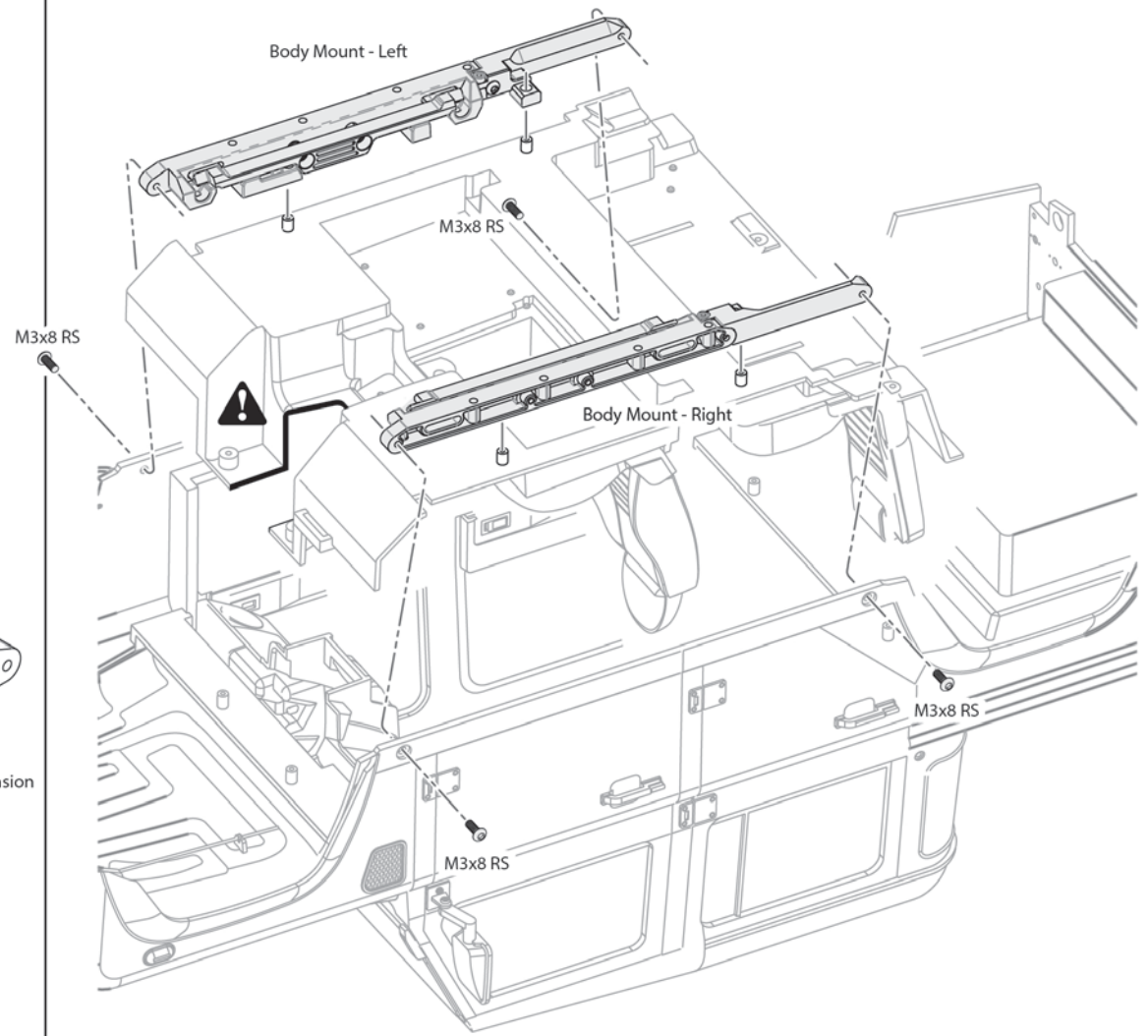
QUICK RELEASE BODY MOUNT - LEFT



QUICK RELEASE BODY MOUNT - RIGHT



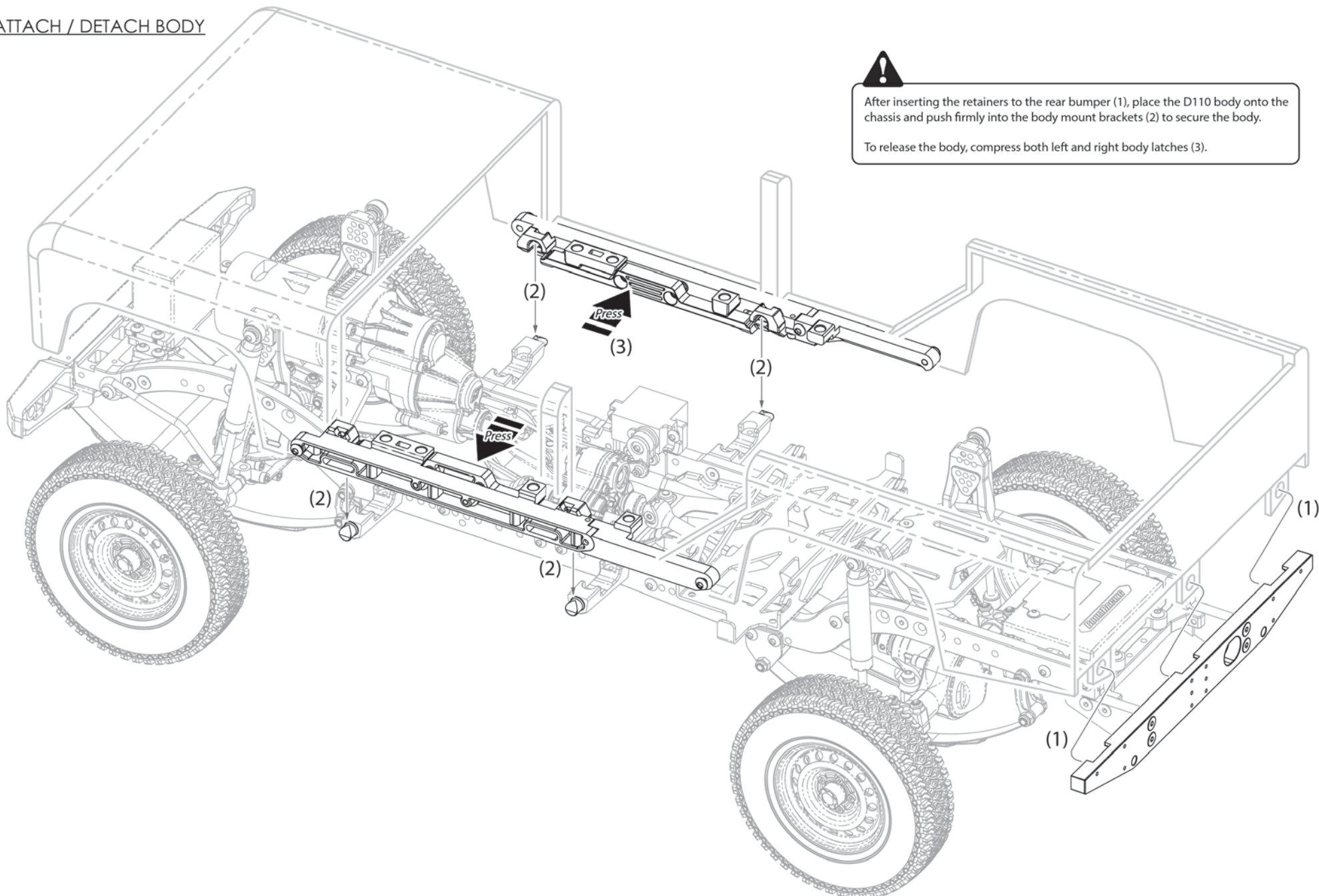
Refer to page 58 for interior opening.





# ATTACH / DETACH BODY

**!**  
After inserting the retainers to the rear bumper (1), place the D110 body onto the chassis and push firmly into the body mount brackets (2) to secure the body.  
To release the body, compress both left and right body latches (3).



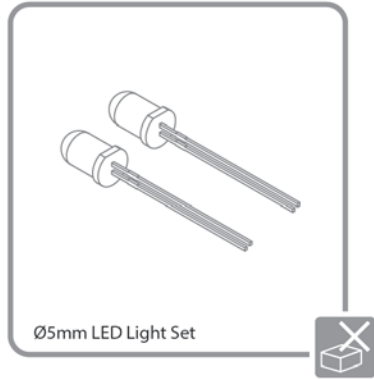
BODY MOUNT

BODY MOUNT



# 18 - OPTIONAL LED INSTALLATION

Parts Needed:



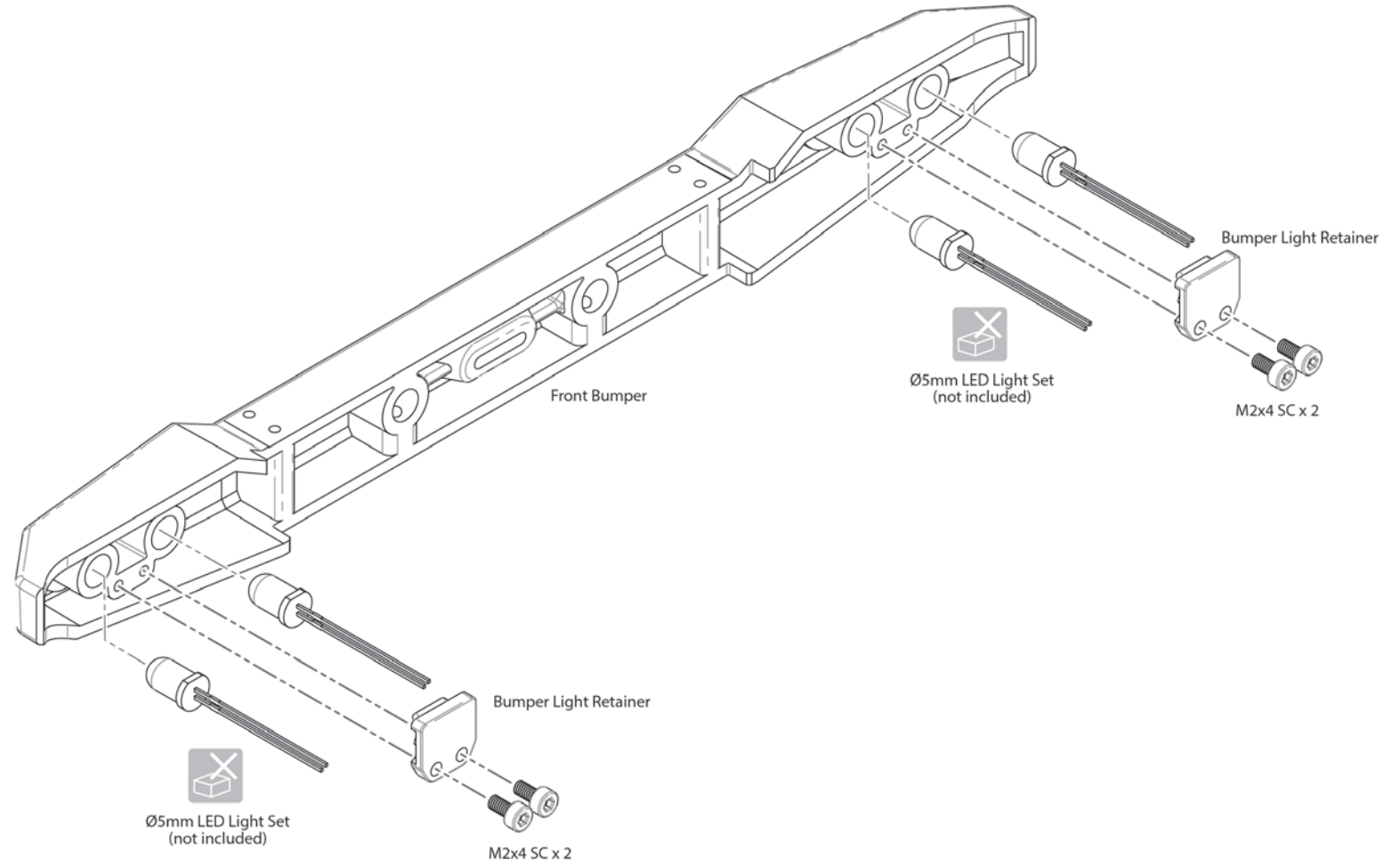
## A CHASSIS



Bumper Light Retainer x 2  
#BRX020032



M2x4 SC x 4  
#BRASFCH2004

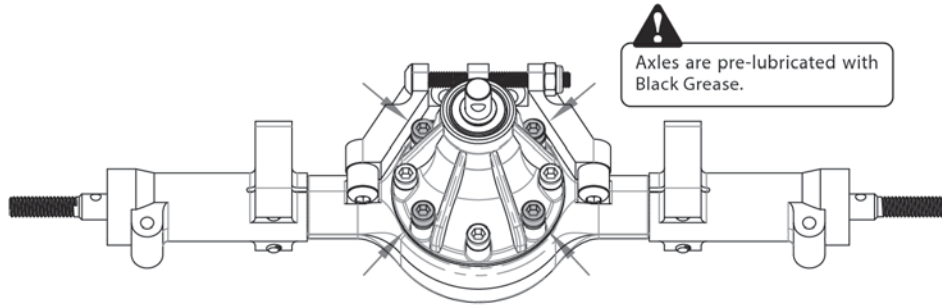


LED INSTALLATION

LED INSTALLATION

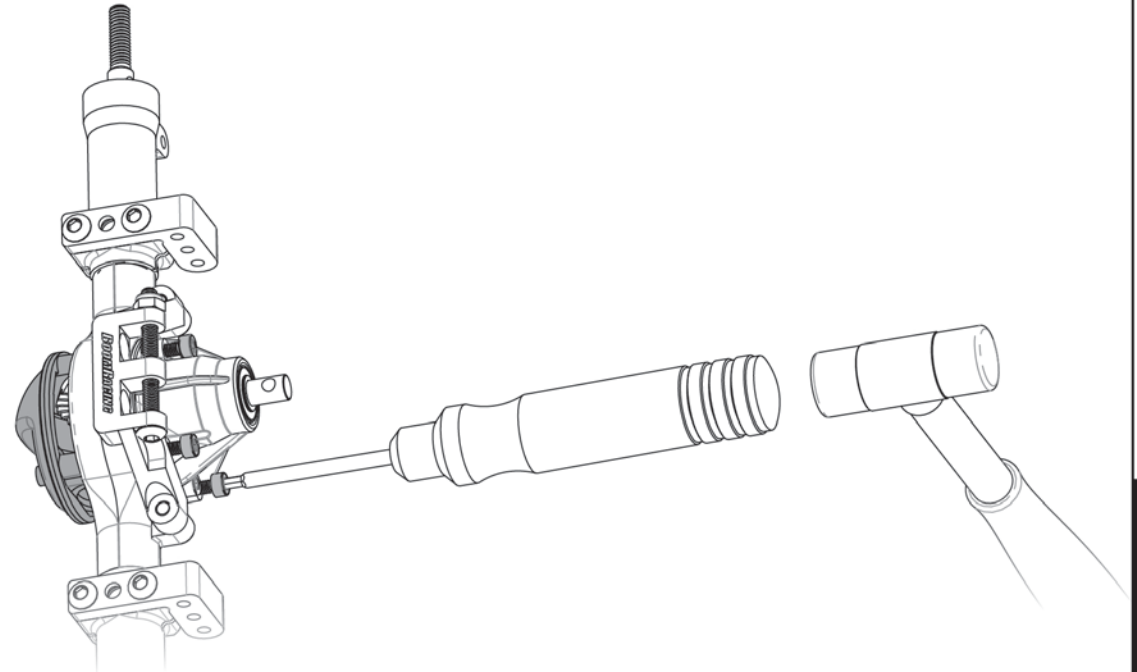
## PRE-ASSEMBLED AXLE

### Front Diff Cover Release Method In Case Assembly Is Tight.

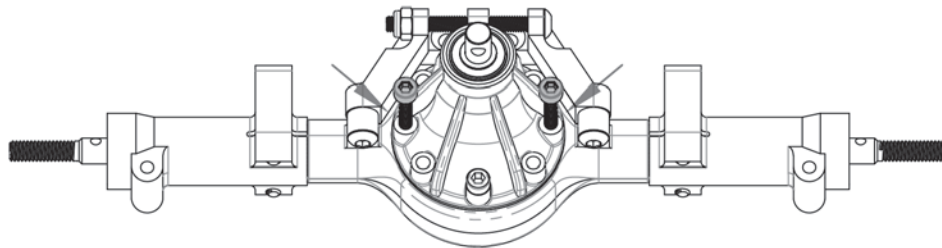


Step 1 - Loosen four M2.5x16mm socket screws indicated making the screw cap 3 mm apart from the case.

Step 2 - Hammer those screw slightly via screwdriver to release the front diff cover.



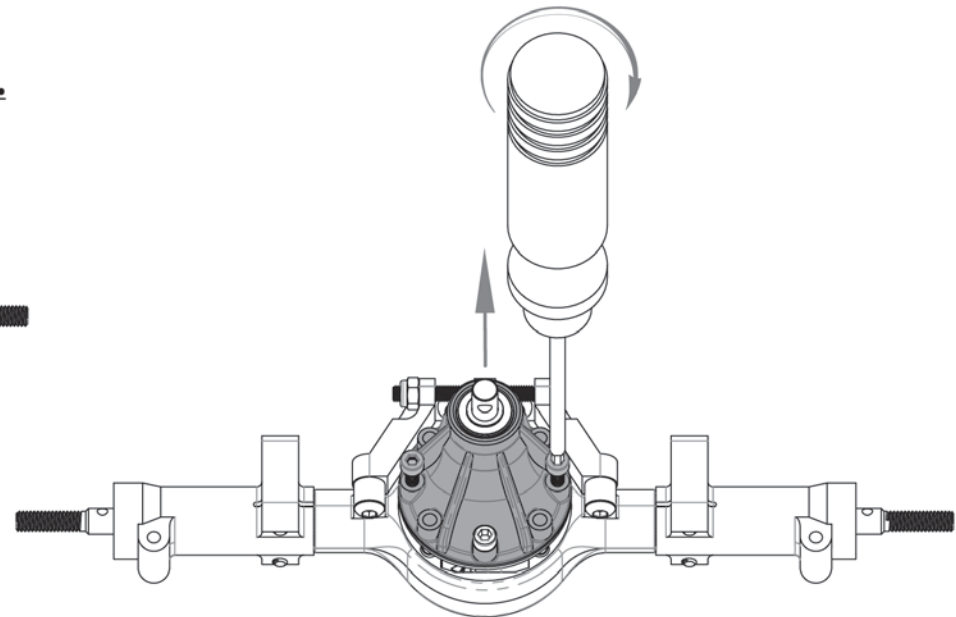
### The Third Member Release Method When Assembly Is Tight.





Step 1 - Remove all M2.5x16mm and two M2.5x5mm socket screws

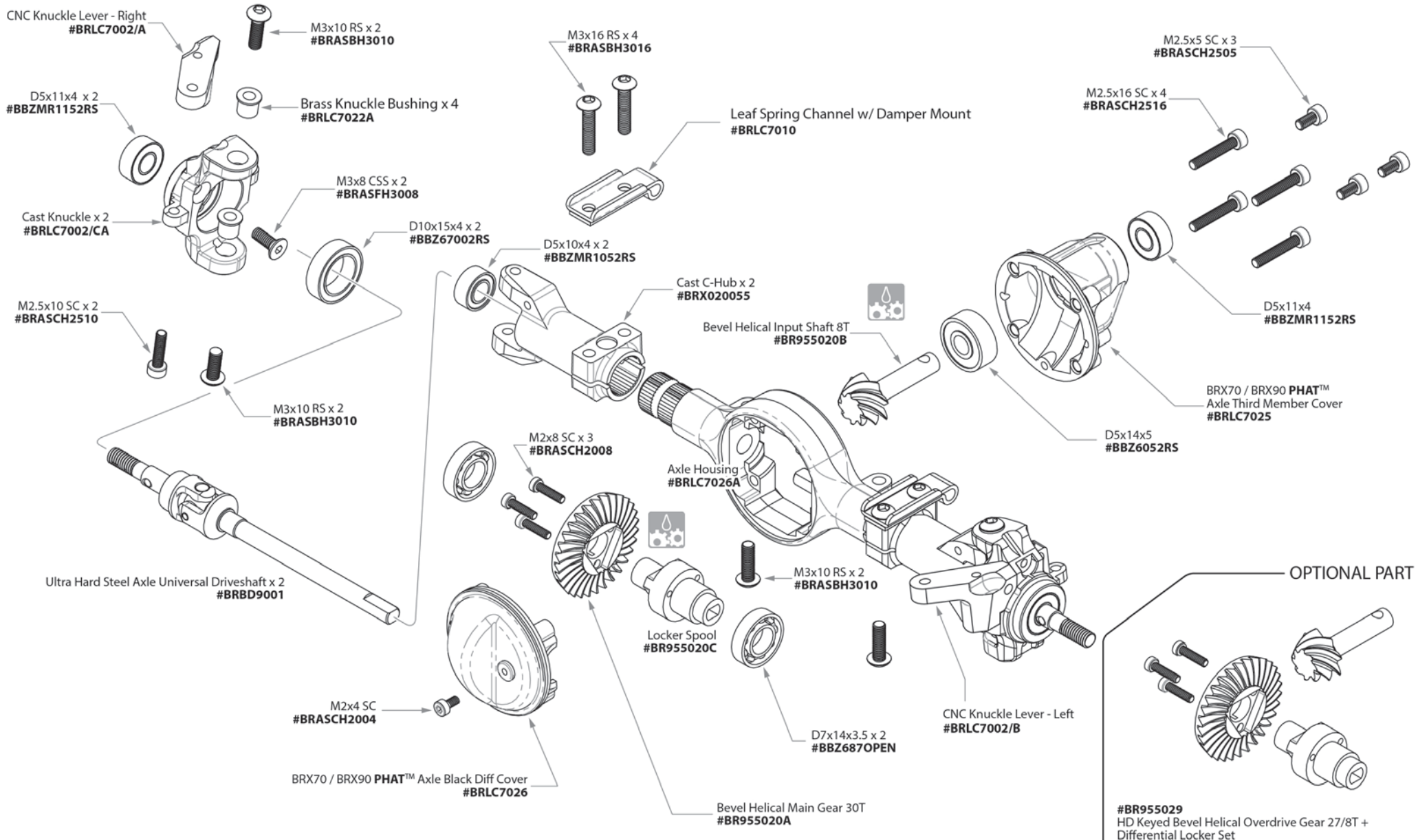
Step 2 - Install two M2.5x16mm socket screws into both left and right screw holes as indicated

Step 3 - Lightly torque the screws until the third member is released



# PRE-ASSEMBLED FRONT AXLE



  Apply a generous amount of Black Grease on all movable contact surfaces including gears, spacers, shafts and bearings.

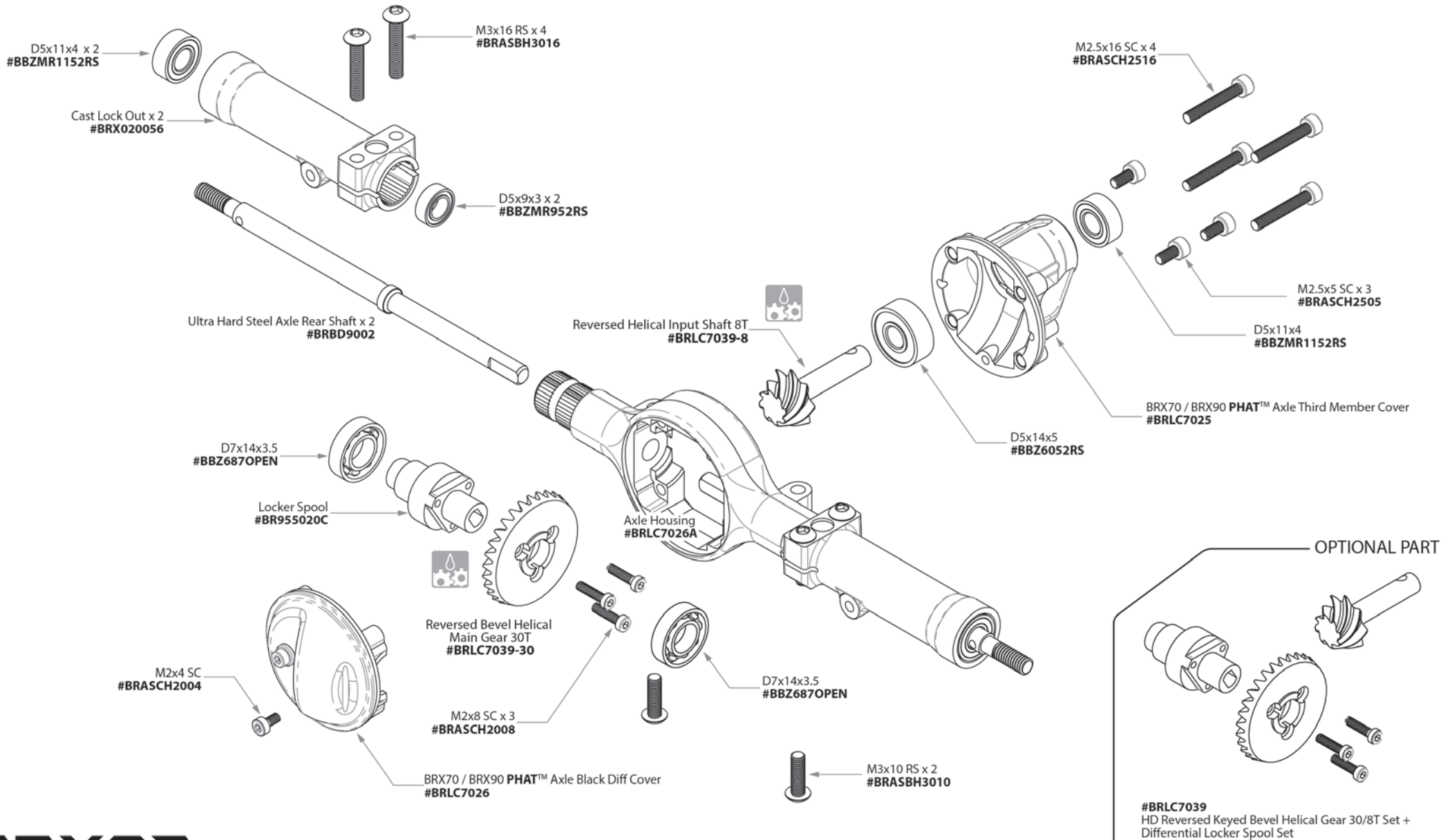


PRE-ASSEMBLED PARTS

PRE-ASSEMBLED PARTS

# PRE-ASSEMBLED REAR AXLE

  Apply a generous amount of Black Grease on all movable contact surfaces including gears, spacers, shafts and bearings.



PRE-ASSEMBLED PARTS

PRE-ASSEMBLED PARTS



# PARTS LIST

| Part #       | Description   | Part #          | Description   |
|--------------|---|-----------------|---|
| BBZ6052RS    | 5x14x5mm High Performance Rubber Sealed Bearing (1)                           | BRASSPD5801     | Spacer D5x8x0.1 (10)  |
| BBZ67002RS   | 10x15x4mm High Performance Rubber Sealed Bearing (1)                          | BRASSPD5805     | Spacer D5x8x0.5 (10)  |
| BBZ687OPEN   | 7x14x3.5mm High Performance Open Ball Bearing (1)                             | BRASSPD5730     | Spacer D5x7x3 (5)   |
| BBZMR1052RS  | 5x10x4mm High Performance Rubber Sealed Bearing (1)                           | BRASSPRING05510 | Ø5mm Spring (4)   |
| BBZMR1152RS  | 5x11x4mm High Performance Rubber Sealed Bearing (1)                           | BRASST3003      | M3x3 Set Screw (10)   |
| BBZMR1172RS  | 7x11x3mm High Performance Rubber Sealed Bearing (1)                           | BRASST3006      | M3x6 Set Screw (10)   |
| BBZMR952RS   | 5x9x3mm High Performance Rubber Sealed Bearing (1)                            | BRASST3022/DS   | M3/2.2x11 Set Screw (10)  |
| BR955020     | Heavy Duty Keyed Bevel Helical Gear 30/8T + Differential Locker Spool Set     | BRASST3024/DS   | M3/2.4x11 Set Screw (10)  |
| BR955020A    | Heavy Duty Bevel Helical Main Gear 30T  | BRASST4016      | M4x16 Set Screw (10)  |
| BR955020B    | Heavy Duty Bevel Helical Input Shaft 8T                                       | BRBD9001        | Ultra Hard Steel Axle Universal Driveshaft (2)  |
| BR955020C    | Diff Locker Spool for HD Helical Bevel Gear                                   | BRBD9002        | Ultra Hard Steel Axle Rear Shaft (2)  |
| BR955029     | Heavy Duty Keyed Bevel Helical Overdrive Gear 27/8T + Differential Locker Set | BRD9022A        | Stainless Steel Tie Rod   |
| BRASBH2504   | M2.5x4 RS Round Head Screw (10)   | BRGRS01         | <b>BADASS™</b> Siliking Grease 5g   |
| BRASBH2506   | M2.5x6 RS Round Head Screw (10)   | BRGRS08         | <b>BADASS™</b> Black Graphite Grease 5g   |
| BRASBH2514   | M2.5x14 RS Round Head Screw (10)  | BRGRS09-5GB     | <b>BADASS™</b> Shock Slime Grease 5g  |
| BRASBH3006   | M3x6 RS Round Head Screw (10)   | BRGRS10274-10   | <b>BADASS™</b> Silicone Grease 10g  |
| BRASBH3008   | M3x8 RS Round Head Screw (10)   | BRGRS10274-20   | <b>BADASS™</b> Silicone Grease 20g  |
| BRASBH3010   | M3x10 RS Round Head Screw (10)  | BRGRS1055-10    | <b>BADASS™</b> Black Graphite Grease 10g  |
| BRASBH3012   | M3x12 RS Round Head Screw (10)  | BRGRS1055-20    | <b>BADASS™</b> Black Graphite Grease 20g  |
| BRASBH3014   | M3x14 RS Round Head Screw (10)  | BRGRS242        | 242 Blue Thread Lock 10g  |
| BRASBH3016   | M3x16 RS Round Head Screw (10)  | BRLC7002/A      | Aluminum Knuckle Lever (High Clearance) for BRX70 / BRX90 Knuckle                                       |
| BRASBH3022   | M3x22 RS Round Head Screw (10)  | BRLC7002/B      | Aluminum Knuckle Arm (Low Profile) for BRX70 / BRX90 / AR44 Knuckle (2)                                 |
| BRASBH3024   | M3x24 RS Round Head Screw (10)  | BRLC7002/CA     | Cast Metal Knuckle (2)  |
| BRASCH2004   | M2x4 SC Shocket Cap Screw (10)  | BRLC7010        | Steel Leaf Spring Channel w/ Shock Mount for BRX70 / BRX90 Axle (2)                                     |
| BRASCH2008   | M2x8 SC Shocket Cap Screw (10)  | BRLC7019        | Side Gearbox Mount (Left & Right)   |
| BRASCH2505   | M2.5x5 SC Shocket Cap Screw (10)  | BRLC7022A       | Brass Bushing for BRX70 / BRX90 Axle Knuckle BRLC7022/BRD9022 (4)                                       |
| BRASCH2506   | M2.5x6 SC Shocket Cap Screw (10)  | BRLC7025        | BRX70 / BRX90 <b>PHAT™</b> Axle Third Member Cover  |
| BRASCH2508   | M2.5x8 SC Shocket Cap Screw (10)  | BRLC7026        | BRX70 / BRX90 <b>PHAT™</b> Axle Black Diff Cover  |
| BRASCH2510   | M2.5x10 SC Shocket Cap Screw (10)   | BRLC7026A       | BRX70 / BRX90 <b>PHAT™</b> Axle Housing   |
| BRASCH2516   | M2.5x16 SC Shocket Cap Screw (10)   | BRLC7027        | Aluminum Gearbox Adapter w/ Motor Mount   |
| BRASCH3008   | M3x8 SC Shocket Cap Screw (10)  | BRLC7029-12T    | Heavy Duty 12T Spur Gear  |
| BRASEC30     | E-Clip 3mm (10)   | BRLC7029-15T    | Heavy Duty 15T Spur Gear  |
| BRASFH2005   | M2x5 CSS Counter Sunk Screw (10)  | BRLC7029-20T    | Heavy Duty 20T Spur Gear  |
| BRASFH2508   | M2.5x8 CSS Counter Sunk Screw (10)  | BRLC7029-24T    | Heavy Duty 24T Spur Gear  |
| BRASFH3006   | M3x6 CSS Counter Sunk Screw (10)  | BRLC7029-32T    | Heavy Duty 32T Spur Gear  |
| BRASFH3008   | M3x8 CSS Counter Sunk Screw (10)  | BRLC7030        | Spur Gear Mount   |
| BRASFH3010   | M3x10 CSS Counter Sunk Screw (10)   | BRLC7031        | Internal Spur Gear 28T  |
| BRASHS3005   | M3x5 Hex Cap Screw (2)  | BRLC7032        | Steel Motor Spacer  |
| BRASNUTM25   | Nut M2.5 (5)  | BRLC7033        | BRX Universal Receiver Box Set w/ Silicone Seals  |
| BRASNUTM3    | Lock Nut M3 Nyloc (5)   | BRLC7033A       | Silicone Seal & Port for BRX Receive Box  |
| BRASNUTM4    | Lock Nut M4 Nyloc (5)   | BRLC7039        | 30/8T Reverse HD Steel Triangular Keyed Bevel Helical Cut Diff Gear w/ Spool Set for BRX70 / BRX90 Axle |
| BRASPIN210   | D2x10 Pin (10)  |                 |   |
| BRASSP473    | D4x7x3 Aluminum Spacer (5)  | BRLC7039-8      | HD Steel Reversed Helical Input Shaft 8T  |
| BRASSPD471/N | D4x7x1 Nylon Spacer (5)   | BRLC7039-30     | HD Steel Reversed Bevel Helical Main Gear 30T   |

# PARTS LIST

| Part #     | Description   | Part #          | Description  |
|------------|---|-----------------|--|
| BRLC7041   | M3x6x3 Tapper Spacer (4)  | BRX020007       | Steering Servo Mount (2)   |
| BRLC7044   | Ultra Hard Steel Gearbox Shaft Set (3pcs)   | BRX020009       | Mini Servo Mount   |
| BRLC7044A  | Ultra Hard Steel Gear Catcher   | BRX020011       | Chassis Rail (Left & Right)  |
| BRLC7044B  | Input shaft   | BRX020012       | Rear Crossmember   |
| BRLC7044C  | Output Shaft  | BRX020014       | Mid Crossmember  |
| BRLC7044E  | 2-Speed Gear Unit   | BRX020015F      | Front Bumper   |
| BRLC7045A  | Brass Shifter Cap & Bushing   | BRX020015R      | Rear Bumper  |
| BRLC7045B  | Ultra Hard Steel Shifter  | BRX020016       | Front Crossmember  |
| BRLC7045C  | Stainless Steel Shift Rod   | BRX020017       | Rear Gearbox Mount   |
| BRLC7046   | Heavy Duty Steel Cut Transfer Case Gears & Steel Shafts Set   | BRX020018F      | Front shock Mount (Left & Right)                                   |
| BRLC7046-A | Input Shaft w/ 20T Spur Gear  | BRX020018R      | Rear Shock Mount (Left & Right)                                    |
| BRLC7046-B | 29T Spur Gear (2)   | BRX020019       | Rear Bumper Mount (Left & Right)                                   |
| BRLC7046-C | Two Ends Output Shaft   | BRX020020LF     | Center Skid Plate  |
| BRLC7046-D | One End Output Shaft  | BRX020021       | Battery Tray   |
| BRLC7049   | Mini Servo Horn   | BRX020022LF     | BRX90 Complete Front <b>PHAT</b> ™ Axle LEAF Ver.                  |
| BRLC7050   | Fine Tunable Link   | BRX020023LF     | BRX90 Complete Rear <b>PHAT</b> ™ Axle LEAF Ver.                   |
| BRLC7055   | Aluminum Long Low Profile Servo Horn 25T Black  | BRX020027       | Front Anti-wrap Bar (2)  |
| BRLC7060   | 2-Speed Gear Circle Clip (5)  | BRX020028       | Steel Connection Drive Shaft (33mm)                                |
| BRLC7064A  | Leaf Spring Set (2)   | BRX020029       | <b>BCF2</b> ™ Gearbox Housing (A & B)                              |
| BRLC7064C  | Stainless Steel M4X40 Anti-wrap Bar (2)   | BRX020029A      | Gear Box Bearing Holder  |
| BRLC7064D  | Rear Shackles (2)   | BRX020030       | Brass Washer (4)   |
| BRLC7064E  | M3x14 Bolt  | BRX020032       | Bumper Light Retainer (2)  |
| BRLC7064F  | Rear Leaf Retainer (Outside & inside) (2)   | BRX020034       | Body Latch Pin (4)   |
| BRLC7095   | Extension Cable (2)   | BRX020035       | Slider Spacer (4)  |
| BRPG3212-3 | 32P 12T / 3.175mm Steel Pinion Gear   | BRX020039       | Body Post (4)  |
| BRQ90351   | D2 Ball & Rod End   | BRX020043       | <b>KUDU</b> ™ HD CVD Center Drive Shaft (2)                        |
| BRSH0090   | <b>KUDU</b> ™ 90mm Scale Shock Absorber (2)   | BRX020047       | <b>SRD</b> ™ Transfer Case Housing                                 |
| BRSHJR     | Pivot Ball Retainer (4)   | BRX020051       | Shift Rod  |
| BRSORD6-15 | D6x1.5 O-Ring (10)  | BRX020055       | Cast C-Hub (2)   |
| BRT10037   | Cable Wiring Retainer   | BRX020056       | Cast Lock Out (2)  |
| BRT10028   | Tool Kit  | BRX020061       | Quick Release Body Latch (2)                                       |
| BRT10053   | Pivot Ball Tool   | BRX020062       | Quick Release Body Mount (Left & Right)                            |
| BRTR19005  | 1.9" <b>SP ROAD TRACKER</b> ™ Crawler Tire <b>GEKKO</b> Black 3.82"x0.94" (97x24mm)<br>w/ Single Stage Open Cell Foam (2) | BRX020063       | Quick Release Body Mount Extension (Left & Right)                  |
| BRTR39005  | Single Stage Open Cell Foam Insert for<br>1.9" <b>SP ROAD TRACKER</b> ™ Crawler Tire 3.82"x0.94" (97x24mm) (2)            | BRX020064A      | Front Shackle (2)  |
| BRW750300  | <b>BADASS</b> ™ Stainless Steel Pivot Ball (10)   | BRX020064B      | Front Leaf Retainer (Left & Right)                                 |
| BRW750306A | <b>KUDU</b> ™ HD Rust-Resistant Rod Ends M4 Nylon (Straight) 18.5mm<br>w/ SST Pivot Ball (5.8x3x7.4mm) (10)               | BRX020072F      | Front Center Skid Slider   |
| BRW750309B | <b>KUDU</b> ™ HD Rust-Resistant Rod Ends M4 Nylon (Straight) 21.8mm<br>w/ SST Pivot Ball (5.8x3x7.4mm) (10)               | BRX020072R      | Rear Center Skid Slider  |
| BRW750310  | Shock End Pivote Ball (4)   | BRX020079       | ESC Mounting Plate   |
| BRW780920  | 1.9" Narrow 16-Hole Classic Steelie Reversible Beadlock Wheels (Gun Metal) (2)  | BRXT500V2       | XT500 5-Lug Aluminum 12mm Wheel Pin Hub Adapters OMM Offset V2 (2) |
| BRW780923  | S100 Scale Center Wheel Hub Cap (2)   | JX/PDI-HV1151MG | JX Waterproof High Voltage Mini Servo                              |

## PARTS LIST (Optional Accessories)

| Part #                 | Description   | Part #             | Description  |
|------------------------|---|--------------------|--|
| <b>Overdrive Gears</b> |   | <b>Bearing Set</b> |  |
| BR955029               | Overdrive HD Steel Keyed Bevel Helical Gear 27/8T & Diff Locker Spool Set | BRX01BBZ           | High Performance Full Ball Bearings Set Rubber Sealed (32 Total)             |
| BR955029A              | Overdrive HD Bevel Helical Main Gear 27T for BR955029                     | BRX01FABBZ         | High Performance Ball Bearings Set Rubber Sealed For Front Axle (10 Total)   |
| BR955029B              | Overdrive HD Bevel Helical Input Shaft 8T for BR955029                    | BRX01GBBBZ         | High Performance Ball Bearings Set Rubber Sealed For Gearbox (8 Total)       |
| <b>Pinion Gear</b>     |   | BRX01RABBZ         | High Performance Ball Bearings Set Rubber Sealed For Rear Axle (8 Total)     |
| BRPG3209-3             | 32P 9T / 3.175mm Steel Pinion Gear (1)                                    | BRX01TCBBZ         | High Performance Ball Bearings Set Rubber Sealed For Transfer Case (6 Total) |
| BRPG3210-3             | 32P 10T / 3.175mm Steel Pinion Gear (1)                                   |                    |  |
| BRPG3211-3             | 32P 11T / 3.175mm Steel Pinion Gear (1)                                   |                    |  |
| BRPG3213-3             | 32P 13T / 3.175mm Steel Pinion Gear (1)                                   |                    |  |
| BRPG3214-3             | 32P 14T / 3.175mm Steel Pinion Gear (1)                                   |                    |  |
| BRPG3215-3             | 32P 15T / 3.175mm Steel Pinion Gear (1)                                   |                    |  |
| BRPG3216-3             | 32P 16T / 3.175mm Steel Pinion Gear (1)                                   |                    |  |
| BRPG32COMBO1-3         | 32P Steel Pinion Gear Combo 9T-12T (4)                                    |                    |  |
| BRPG32COMBO2-3         | 32P Steel Pinion Gear Combo 13T-16T (4)                                   |                    |  |
| <b>Shock Oil</b>       |   |                    |  |
| BRSHK010               | <b>BADASS™</b> Silicone Shock Oil 10wt 60ml                               |                    |  |
| BRSHK015               | <b>BADASS™</b> Silicone Shock Oil 15wt 60ml                               |                    |  |
| BRSHK020               | <b>BADASS™</b> Silicone Shock Oil 20wt 60ml                               |                    |  |
| BRSHK025               | <b>BADASS™</b> Silicone Shock Oil 25wt 60ml                               |                    |  |
| BRSHK030               | <b>BADASS™</b> Silicone Shock Oil 30wt 60ml                               |                    |  |
| BRSHK035               | <b>BADASS™</b> Silicone Shock Oil 35wt 60ml                               |                    |  |
| BRSHK040               | <b>BADASS™</b> Silicone Shock Oil 40wt 60ml                               |                    |  |
| BRSHK045               | <b>BADASS™</b> Silicone Shock Oil 45wt 60ml                               |                    |  |
| BRSHK050               | <b>BADASS™</b> Silicone Shock Oil 50wt 60ml                               |                    |  |
| BRSHK055               | <b>BADASS™</b> Silicone Shock Oil 55wt 60ml                               |                    |  |
| BRSHK060               | <b>BADASS™</b> Silicone Shock Oil 60wt 60ml                               |                    |  |
| BRSHK065               | <b>BADASS™</b> Silicone Shock Oil 65wt 60ml                               |                    |  |
| BRSHK070               | <b>BADASS™</b> Silicone Shock Oil 70wt 60ml                               |                    |  |
| BRSHK075               | <b>BADASS™</b> Silicone Shock Oil 75wt 60ml                               |                    |  |
| BRSHK080               | <b>BADASS™</b> Silicone Shock Oil 80wt 60ml                               |                    |  |

If you have questions, call Boom Racing at:  
1-209-676-8880 (USA) or email Boom Racing at [sales@boomracingrc.com](mailto:sales@boomracingrc.com)

[WWW.BOOMRACINGRC.COM](http://WWW.BOOMRACINGRC.COM)



1.9" MILEAGE CLASSIC SCALE CRAWLER TIRE GEKKO COMPOUND  
3.82"x1.0" (97x26mm)

#BRTR19006



1.9" TPD ALL-TERRAIN CRAWLER TIRE GEKKO COMPOUND  
3.82"x1.3" (97x33mm)

#BRTR19008

ROCK MONSTER RED SILICONE TIRE INSERT  
3.5"x0.84" (90x21mm)  
FOR 1.9" MILEAGE CLASSIC / SP ROAD TRACKER

#BRRM19006



MUSCLE WINCH™  
HIGH TORQUE 36KG  
WATERPROOF SERVO WINCH  
W/ FREE SPOOL UNIT  
#BR-36SW



## MINI SERVO MOUNT KIT

#BRD90110064KIT  
(with Mini Servo)

#BRD90110065  
(without Mini Servo)



DIG  
#BRD90101-DG

OVERDRIVE  
#BRLC70201-OD

## TRANSFER CASE KITS

SWD (SELECTIVE RWD/4WD)  
#BRD90301-SWD



WINCH MOUNT & LEAD KIT  
FOR MUSCLE WINCH™  
#BRD90110036



## OPTIONAL PARTS





# WATERPROOF ALUMINUM LED LIGHT BAR SET (3S CAPABLE)



#BRTL145 (145mm)

#BRTL90 (90mm)

#BRTL50 (50mm)

# HEAVY DUTY KEYED BEVEL HELICAL OVERDRIVE GEAR + DIFFERENTIAL LOCKER SET FOR BRX70/BRX90/AR44/AR45 AXLES



24/8T  
#BR955040

27/8T  
#BR955029

# BRASS FRONT KNUCKLE BASE WEIGHTS FOR BRX70/BRX90/AR44 PHAT AXLE



BRASS FRONT KNUCKLE BASE WEIGHTS  
#BRLC7089

# BRASS REAR KNUCKLE BASE WEIGHTS FOR BRX90 PHAT AXLE #BRD9024



BRASS SMALL WEIGHT BLOCKS 4G  
#BRLC7092



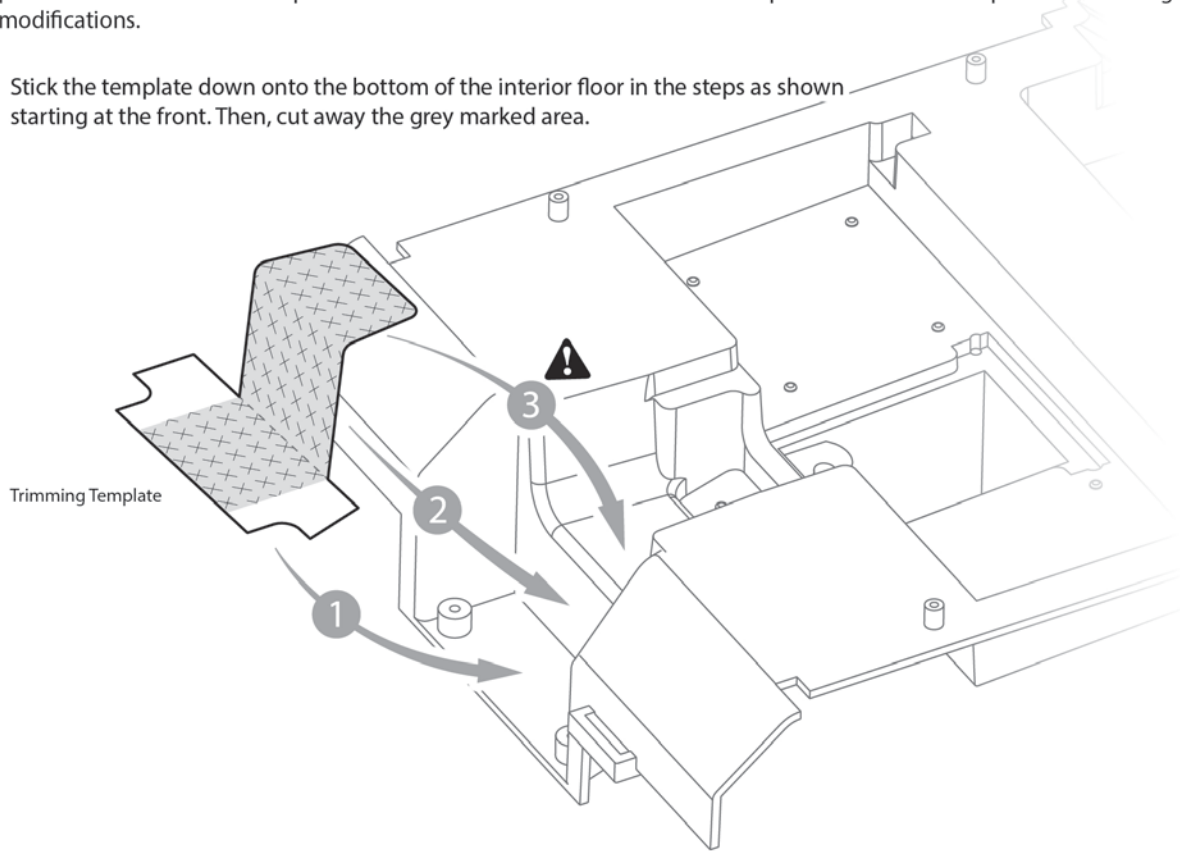
BRASS LARGE WEIGHT BLOCKS 23G  
#BRLC7091

# OPTIONAL PARTS

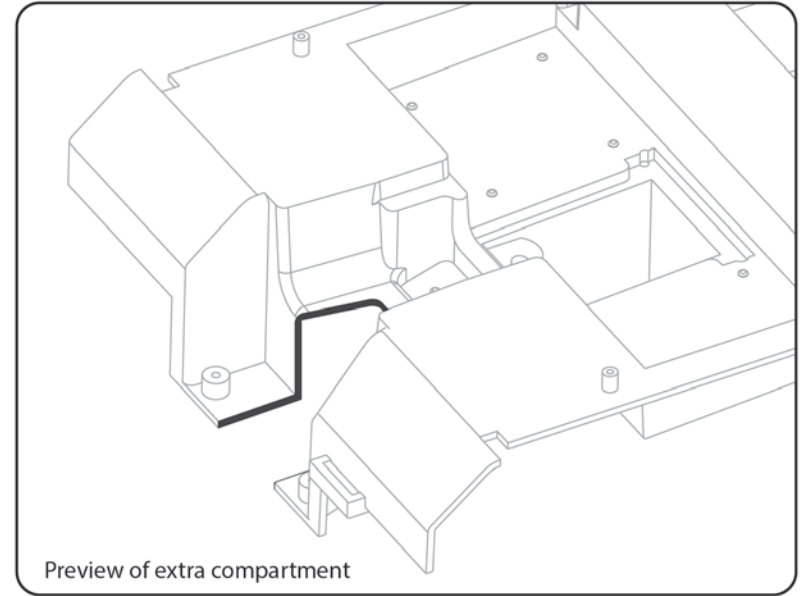
# GEARBOX COMPARTMENT

There are only two D110 hard bodies that are compatible with the BRX02 D110 chassis – Team Raffee Co. #TRC/302214 and #TRC/302215. The modifications below are for those who might already have a Team Raffee Co. D110 body in the past. The bodies available for purchase after the release of the BRX02 are all updated and do not require the following modifications.

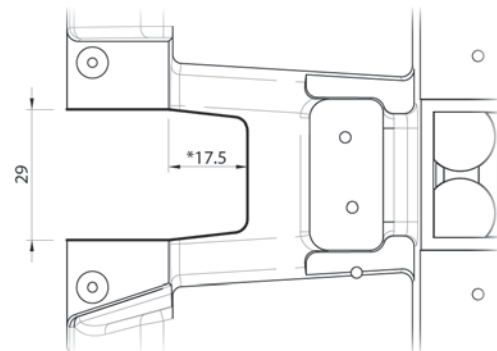
Stick the template down onto the bottom of the interior floor in the steps as shown starting at the front. Then, cut away the grey marked area.



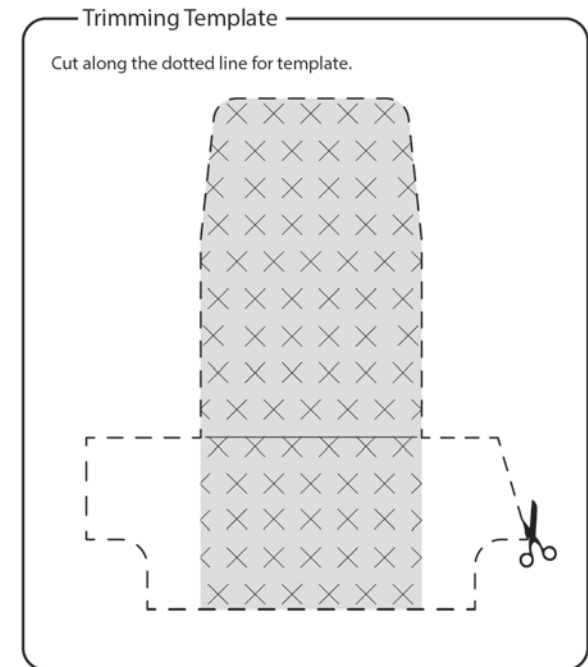
Trimming Template



Preview of extra compartment



\*Make sure not to remove more than 17.5mm deep on the face (3) of the Trimming Template. Otherwise, a gap may appear from the interior.



Trimming Template

Cut along the dotted line for template.

## NOTES



**Kristian Dubiel (Snakepit RC)**

*The BRX02 isn't just a BRX01 with a longer wheelbase. Rather, it is the further development of what I consider to be the best scale chassis on the market. The new KUDU™ shocks, KUDU™ drive shafts, the carbon chassis rails and the quick-release body mount take the BRX02 to an even higher level. The BRX02 is a "must have" for every Defender fan out there and the best base for your next Defender build. You won't find a chassis out-of-the-box that works as well as the BRX02.*

*My first test drive was a Trophy event with many goals and difficult terrain. The BRX02 worked perfectly right from the start and had very good performance, as well as a fantastic driving image which rewarded me with a first-place finish.*

**Shawn Roche (USA)**

*I almost gave up trying to find a kit that has the correct balance of scale, quality and performance. But once I got my hands on the BRX02 I knew instantly that Boom Racing got it right, and having a tool free quick release on a hard body is amazing.*

**Andreas Briesemeister / Stefan Lindenau (Germany)**

*The BRX02 is not just a successor or a copy of the BRX01 - it's a complete new chassis. Everything fits together harmoniously, and it is fun to drive. The handling is very convincing despite the heavy Defender body. The quality of the materials used is very high standard, leaving nothing to be desired. The carbon frame visually pleases the eyes. The new dampers are eye-catching and work precisely and smoothly with the low friction sealing o-rings. The three different spring rates supplied offer adjustability for different setups. With the quick-release body mount, the change of the battery happens in a few seconds. You can easily separate the body from the chassis by compressing just two tabs. BRX02 will be more successful, and it is designed for a whole different target group.*

**Joe Conti (Malta)**

*Assembling the BRX02 is as easy and as much fun as assembling the BRX01. One can very easily see the quality of this product. The parts fit together very well and this shows the thought that went into designing it. The new features make the BRX02 that much better; the new shocks, the new drive shafts, carbon fiber chassis rails and the new body mounts. The new body mount makes installing and removing the body much easier than ever, there is nothing like it out there.*





**BOOMRACING**  <sup>®</sup>  
*Your Radio Control Car Specialist*

**BRX02**

1/10 4WD RADIO CONTROL CHASSIS KIT FOR D110

[WWW.BOOMRACINGRC.COM](http://WWW.BOOMRACINGRC.COM)